

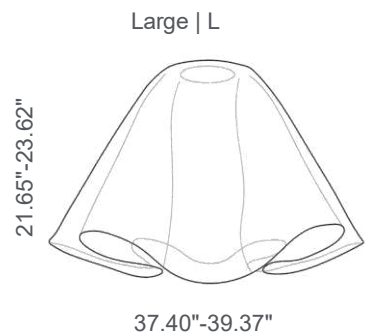
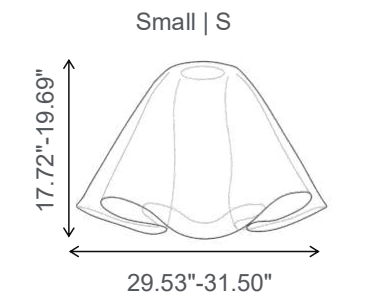
FloRal is an elegant, unique, hand-crafted, ceiling mounted luminaire that is hand molded, and comes in 2 textured designs, lines or dots. It is available in small or large, in tunable white as standard. FloRal shades are molded by hand. Dimensions and form will vary, within boundaries.



Fixture Dimensions

## TECHNICAL DATA

<b>Wattage</b>	Small: 20W Large: 30W
<b>Power Supply</b>	Remote 24VDC, not included. See page 2. Integral Casambi PWM Control Unit
<b>Construction</b>	Body: Molded PMMA Acrylic
<b>CCT</b>	Tunable White 2200K-5000K
<b>CRI</b>	>90
<b>Delivered Lumens</b>	Coming Soon
<b>Efficacy</b>	Coming Soon
<b>Optics</b>	Diffused
<b>Etched Designs</b>	Dots or Lines
<b>Fixture Dimensions</b>	17.7" or 19.7" h x 29.5" to 31.5" w (Small) 21.7" or 23.6" h x 37.4" to 39.4" w (Large)



*FloRal shades are molded by hand.  
Dimensions and form will vary, within boundaries.*

## ORDERING INFORMATION

*Example: FloRal-S-TW-L-US. Power Supplies / Accessories ordered separately.*

FloRal	-		-		-		-		-	US
Model No.	Size	CCT	Etch Design	Control System						
FloRal	S - Small L - Large	TW - Tunable White (2200K-5000K)	D - Dots L - Lines	D - Dali C - Casambi	US					

Job Name/Date:

Fixture Type Designation:

## SUGGESTED POWER SUPPLIES

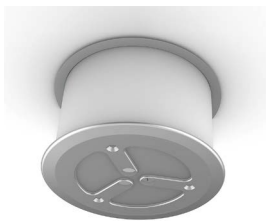
Remote 24VDC - Integral Casambi PWM Control Unit

Part Number	Description	Input/Output	# of Fixtures	
			Small	Large
<a href="#">PPLT00056</a>	Non-Dim	120-277VAC to 24VDC, 26W, Class 2, IP66	1-1	—
<a href="#">PPLT00690</a>	ELV / TRIAC & 0-10V Dimming	120-277VAC to 24VDC, 40W, Class 2, IP67	1-1	1-1
<a href="#">PPLT00677</a>	ELV / TRIAC & 0-10V Dimming (100 to 0%)	120-277VAC to 24VDC, 96W, Class 2, IP65	1-3	1-2
<a href="#">PPLT00158</a>	Non-Dim	120VAC to 24VDC, 100W, Class 2	1-4	1-2
<a href="#">PPLT00543</a>	0-10V Dimming to 15% (-40°C / -40°F cold weather start)	120-277VAC to 24VDC, 100W, Class 2	1-4	1-2

For other power supply options consult factory.

## ACCESSORIES

Installation



Optional

### CASMABI APP

Casambi App & Power Supply  
*(required for Casambi version)*

### CASAMBI WALL SWITCH

Casambi Wall Switch  
*(optional)*

### CEILING ROSE

Celing Rose - Gear Tube

### DALI

DALI - AC/DC Power Supply + Dali Converter  
*(required for DALI version)*



Job Name/Date:

Fixture Type Designation:

## ETCH DESIGNS



DOTS



LINES



## PHOTOMETRIC DATA

*Available upon request*

*Job Name/Date:*

*Fixture Type Designation:*