

PIVOT B 2.9

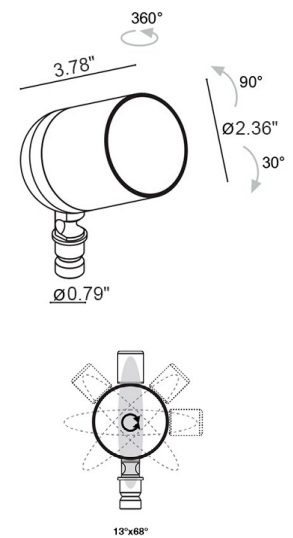
Pivot B is a new application for the compact Pivot floodlights, where poles with spikes provide flexibility in accentuating details in nature, such as flowerbeds and hedges, as well as illuminating pathways, architectural facades, statues and frescoes. They come in 3 sizes, and the poles conceal the power cables for an unobtrusive look among the greenery, with a wide range of optics, anti-glare accessories, and finishes. Dark Sky compliant for output below 80°.



TECHNICAL DATA

Wattage	10W, 14W
Power Supply	Remote 24VDC, not included. See page 3.
Construction	Body: Anticorodal Aluminum Lens: Tempered Extra-Clear Glass Cable Length: 4.92' Standard
CCT	2700K, 3000K, 4000K
CRI	80, >90
BUG Rating	B1-U0-G0 (3000K - Various Optics) B1-U1-G0 (3000K - Various Optics)
Delivered Lumens	1064 lm (3000K, 25°, 14W, CRI 80), 676 lm (3000K, 25°, 10W, CRI >90), 835 lm (3000K, 25°, 10W, CRI 80), 862 lm (3000K, 25°, 14W, CRI >90) Dark Sky compliant, output below 80°
Efficacy	74.7 lm/W (3000K, 14W, CRI 80) 67.6 lm/W (3000K, 10W, CRI >90) 83.5 lm/W (3000K, 10W, CRI 80) 61.6 lm/W (3000K, 14W, CRI >90)
Optics	5 Standard (see below)
Finishes	4 Standard, Custom RAL on request
Fixture Dimensions	Ø2.36" x 3.78" h
Fixture Weight	1.23 lbs
Lumen Maintenance	50,000 hrs L95, B10 (Ta 25°C)
Color Consistency	3-Step MacAdam
Operating Temp.	-20°C to +45°C
IP Rating	IP66
Impact Resistance	IK08

Fixture Dimensions



ORDERING INFORMATION

Example: CP2900000050KE. Power Supplies & Accessories ordered separately.

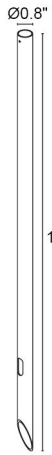
Model #	CRI	Accessories	CCT	Optics	Finish	Cable Length
CP2900 - 10W	0 - CRI 80	000 - None	F - 2700K	0S - 13°	H - Anthracite	4.92' standard
CP2901 - 14W	1 - CRI >90	001 - Honeycomb Louver	5 - 3000K 9 - 4000K	0M - 25° 0L - 37° 0W - 13°x68° R3 - optical range 15°-43° <i>Honeycomb louver not available in 0W and R3</i>	T - Cor-ten 5 - Jasper Green E - White C - Custom RAL <i>(consult factory for "C")</i>	2 - 32.81'

Job Name/Date:

Fixture Type Designation:

ACCESSORIES

Installation - **REQUIRED** - Order together with single or double lighting fixtures



WPA00__
Single Fixture Ground Spike
19.7 inch
Include one of the below finishes:
E - White
H - Anthracite
T - Cor-ten
5 - Jasper Green
C - Custom RAL



WPA01__
Single Fixture Ground Spike
31.5 inch
Include one of the below finishes:
E - White
H - Anthracite
T - Cor-ten
5 - Jasper Green
C - Custom RAL



WPA02__
Single Fixture Ground Spike
43.3 inch
Include one of the below finishes:
E - White
H - Anthracite
T - Cor-ten
5 - Jasper Green
C - Custom RAL



WPA03__
Dual Fixture Ground Spike
19.7 inch
Include one of the below finishes:
E - White
H - Anthracite
T - Cor-ten
5 - Jasper Green
C - Custom RAL



WPA04__
Dual Fixture Ground Spike
31.5 inch
Include one of the below finishes:
E - White
H - Anthracite
T - Cor-ten
5 - Jasper Green
C - Custom RAL



WPA11__
Dual Fixture Ground Spike
43.3 inch
Include one of the below finishes:
E - White
H - Anthracite
T - Cor-ten
5 - Jasper Green
C - Custom RAL

ACCESSORIES

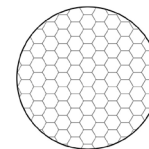
Anti-Glare



WB0310__
Standard Snoot
Include one of the below finishes:
E - White
H - Anthracite
T - Cor-ten
5 - Jasper Green
C - Custom RAL



WB0311__
Asymmetrical Snoot
Include one of the below finishes:
E - White
H - Anthracite
T - Cor-ten
5 - Jasper Green
C - Custom RAL



Honeycomb Louver
Built into the fixture

Job Name/Date:

Fixture Type Designation:

SUGGESTED POWER SUPPLIES - 24VDC

Part Number	Description	Input/Output	# of Fixtures	
			10W	14W
PPLT00680	ELV / TRIAC & 0-10V Dimming	120-277VAC to 24VDC, 20W, Class 2, IP66	1-1	1-1
PPLT00547	Non-Dim	120-277VAC to 24VDC, 35W, Class 2, IP67	1-2	1-2
PPLT00284	Non-Dim	120-277VAC to 24VDC, 100W, Class 2, DAMP	1-8	1-5
PPLT00543	0-10V Dimming to 15% (-40°C / -40°F cold weather start)	120-277VAC to 24VDC, 100W, Class 2	1-8	1-5

Suggested Lutron Compatible

Part Number	Option	Lutron SKU	Dim Range	Description	Input/Output	# of Fixtures	
						10W	14W
PPLT00273	L3DAE / L3DA3W	L3DA	100%-1%	Hi-Lume™ 1% EcoSystem™ or 1% 3-Wire LED Driver	120-277VAC to 24VDC, 40W, Class 2	1-3	1-2
PPLT00530	L3DAE / L3DA3W	L3DA	100%-1%	Hi-Lume™ 1% EcoSystem™ or 1% 3-Wire LED Driver	120-277VAC to 24VDC, 96W, Class 2	1-7	1-5

For other power supply options consult factory.

PHOTOMETRIC DATA - Note: All photometry is 3000K

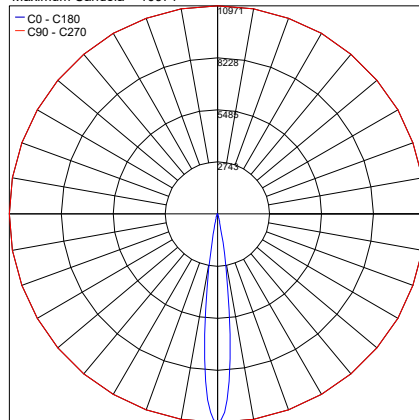
CRI 80 - 10W

13°

25°

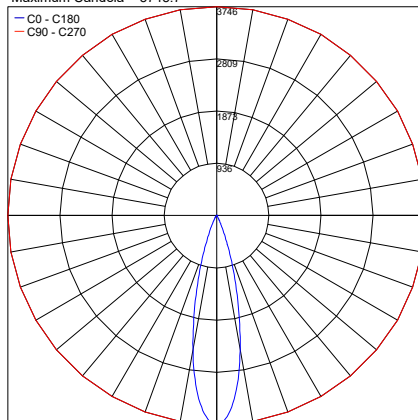
37°

Maximum Candela = 1097.1



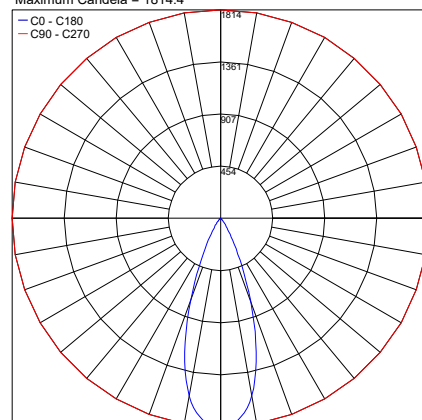
PHOTOMETRIC FILENAME : PIVOT_2.9_M_13_3000K_CRI80_10W_24VDC.IES

Maximum Candela = 3745.7



PHOTOMETRIC FILENAME : PIVOT_2.9_M_25_3000K_CRI80_10W_24VDC.IES

Maximum Candela = 1814.4



PHOTOMETRIC FILENAME : PIVOT_2.9_L_37_3000K_CRI80_10W_24VDC.IES

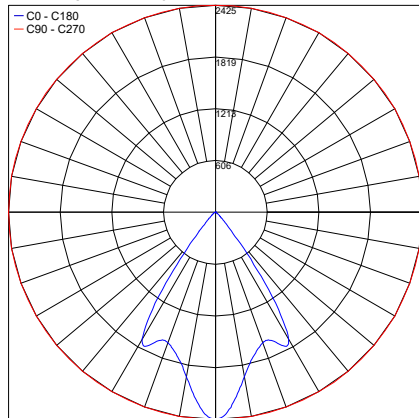
CRI 80 - 10W

Adj. 13°x68°

Zoom 15°

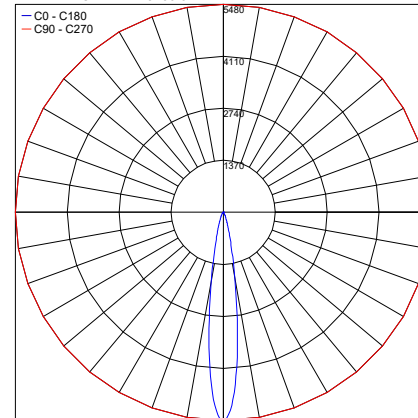
Zoom 43°

Maximum Candela = 2425.1



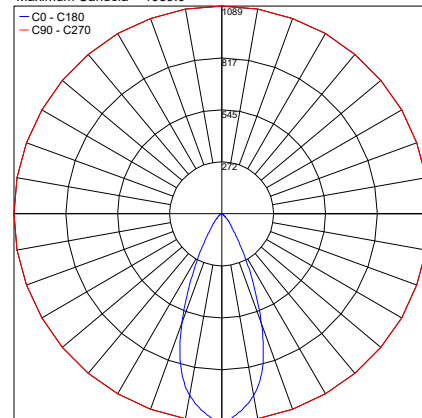
PHOTOMETRIC FILENAME : PIVOT_2.9_W_13X68_MAGNET_3000K_CRI80_10W_24VDC.IES

Maximum Candela = 5480.3



PHOTOMETRIC FILENAME : PIVOT_2.9_R3_ZOOM_15 [3000K_CRI80_10W_24VDC].IES

Maximum Candela = 1089.0



PHOTOMETRIC FILENAME : PIVOT_2.9_R3_ZOOM_43 [3000K_CRI80_10W_24VDC].IES

Job Name/Date:

Fixture Type Designation:

PHOTOMETRIC DATA

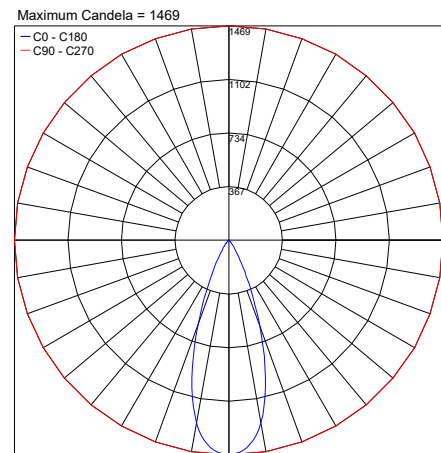
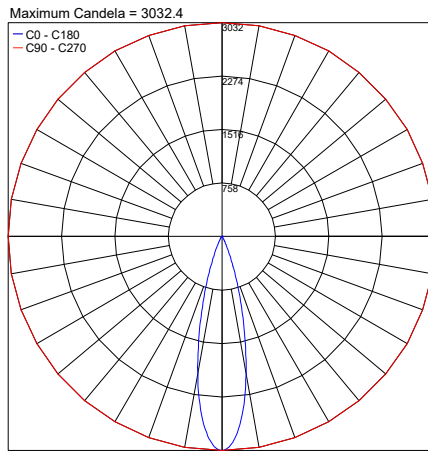
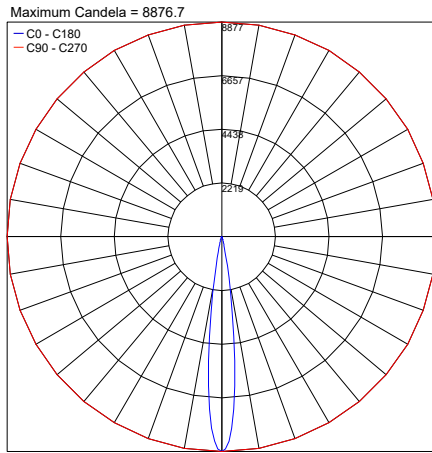
Note: All photometry is 3000K

CRI 90 - 10W

13°

25°

37°

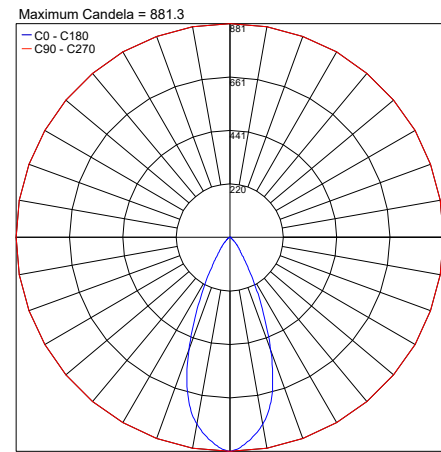
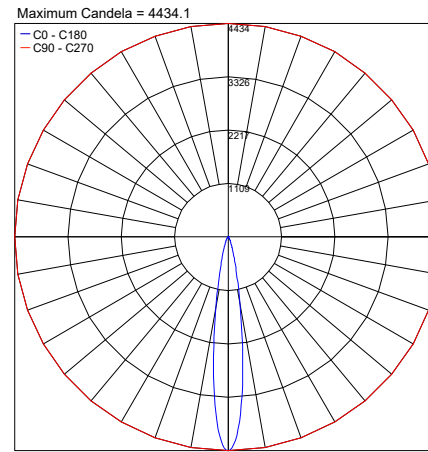
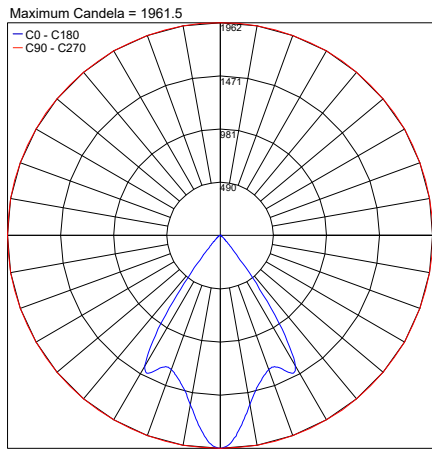


CRI 90 - 10W

Adj. 13°x68°

Opt. Range 15°-43°

Opt. Range 15°-43°



Job Name/Date:

Fixture Type Designation:

PHOTOMETRIC DATA

Note: All photometry is 3000K

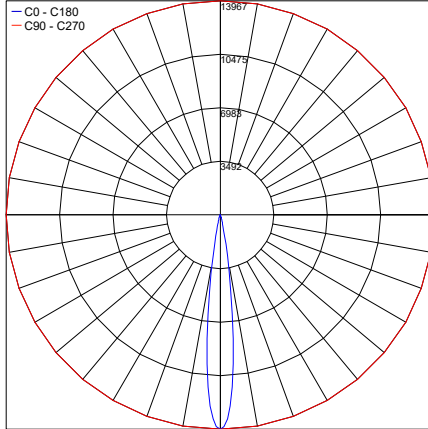
CRI 80 - 14W

13°

25°

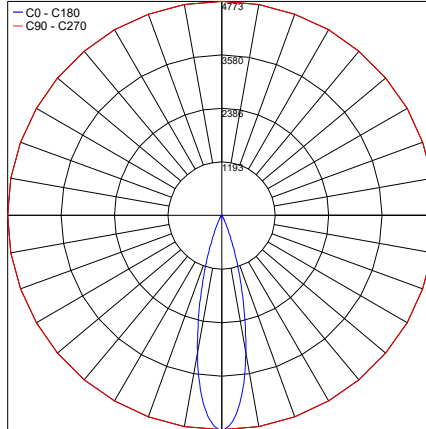
37°

Maximum Candela = 13966.9



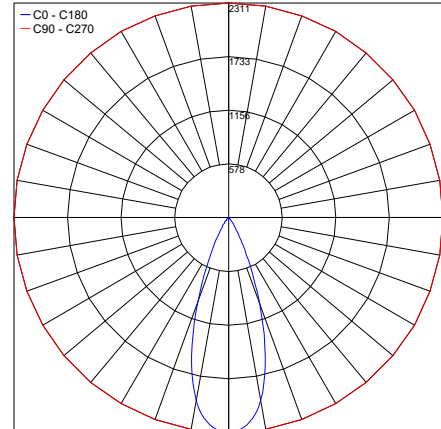
PHOTOMETRIC FILENAME : PIVOT_2.9_S_13_3000K_CR180_14W_24VDC.IES

Maximum Candela = 4773



PHOTOMETRIC FILENAME : PIVOT_2.9_M_25_3000K_CR180_14W_24VDC.IES

Maximum Candela = 2311.1



PHOTOMETRIC FILENAME : PIVOT_2.9_L_37_3000K_CR180_14W_24VDC.IES

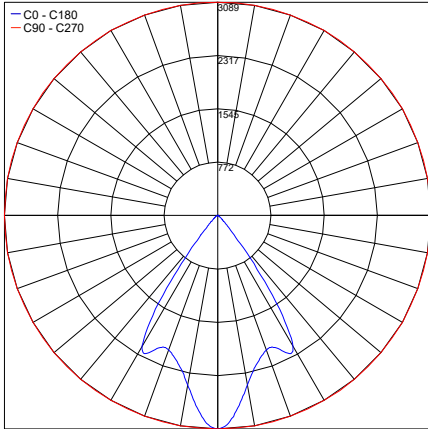
CRI 80 - 14W

Adj. 13°x68°

Opt. Range 15°-43°

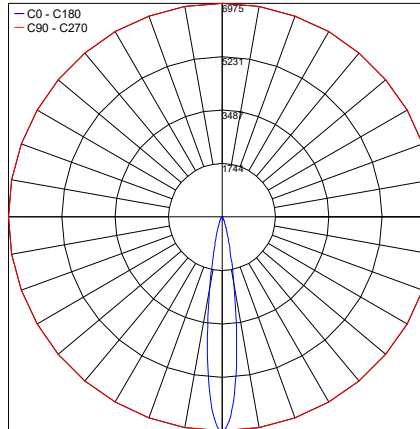
Opt. Range 15°-43°

Maximum Candela = 3089.3



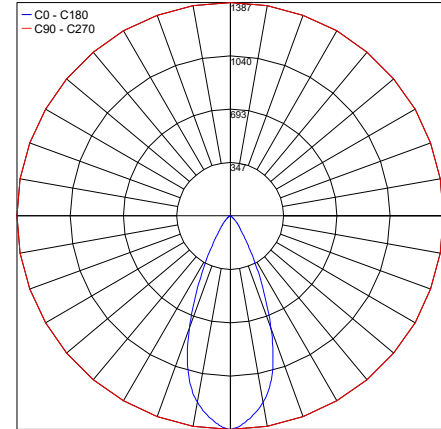
PHOTOMETRIC FILENAME : PIVOT_2.9_W_13x68_MAGNET_3000K_CR180_14W_24VDC.IES

Maximum Candela = 6975



PHOTOMETRIC FILENAME : PIVOT_2.9_R3_ZOOM_15° [3000K CR180 14W 24VDC].IES

Maximum Candela = 1386.8



PHOTOMETRIC FILENAME : PIVOT_2.9_R3_ZOOM_43° [3000K CR180 14W 24VDC].IES

Job Name/Date:

Fixture Type Designation:

PHOTOMETRIC DATA

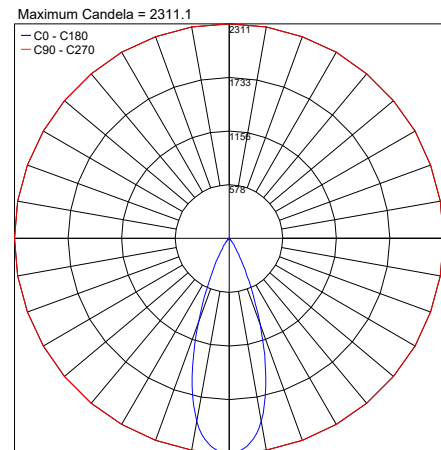
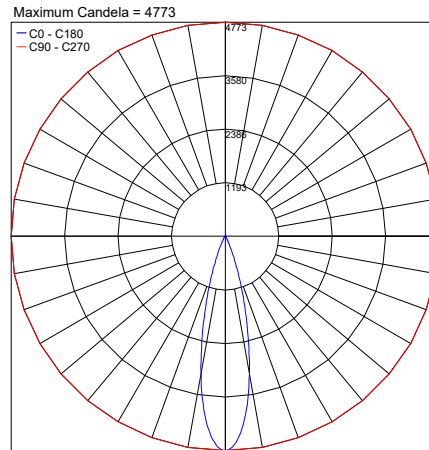
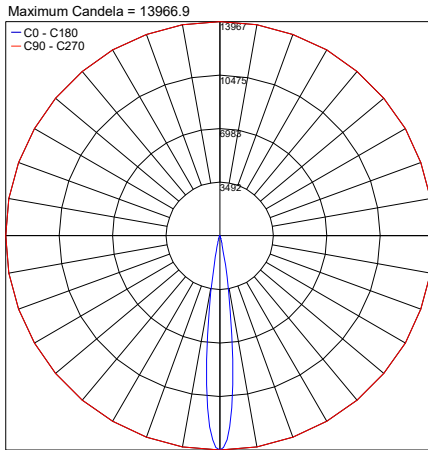
Note: All photometry is 3000K

CRI 80 - 14W

13°

25°

37°

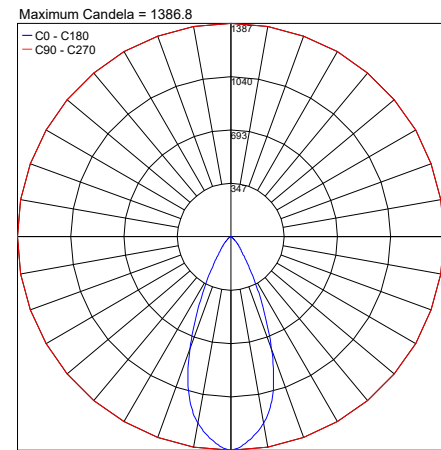
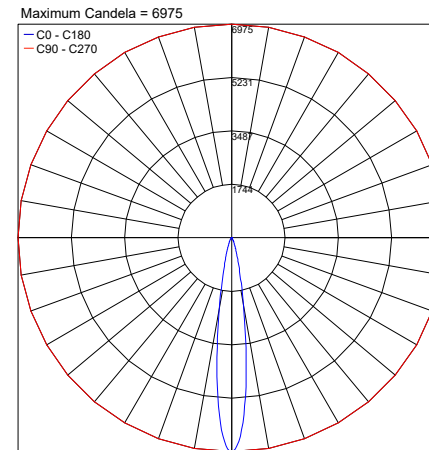
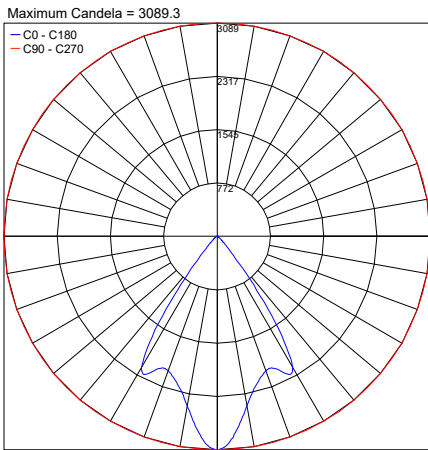


CRI 80 - 14W

Adj. 13°x68°

Opt. Range 15°-43°

Opt. Range 15°-43°



Job Name/Date:

Fixture Type Designation:

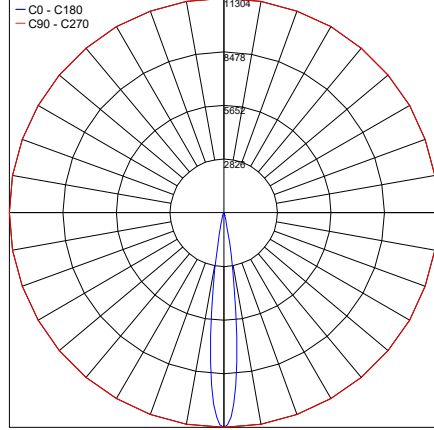
PHOTOMETRIC DATA

Note: All photometry is 3000K

CRI 90 - 14W

13°

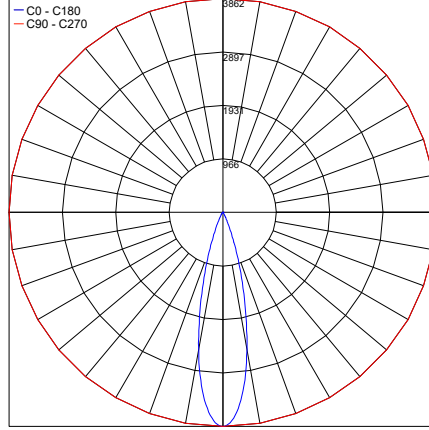
Maximum Candela = 11303.9



PHOTOMETRIC FILENAME : PIVOT_2.9_S_13_3000K_CRI90_14W_24VDC.IES

25°

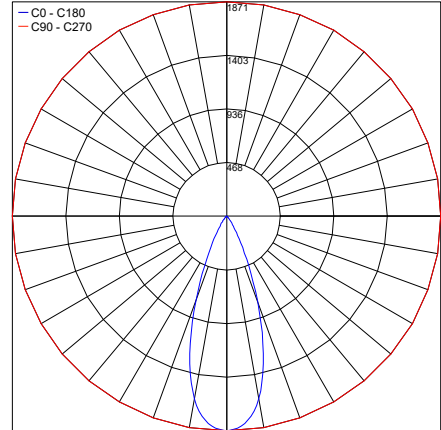
Maximum Candela = 3862.3



PHOTOMETRIC FILENAME : PIVOT_2.9_M_25_3000K_CRI90_14W_24VDC.IES

37°

Maximum Candela = 1871.1

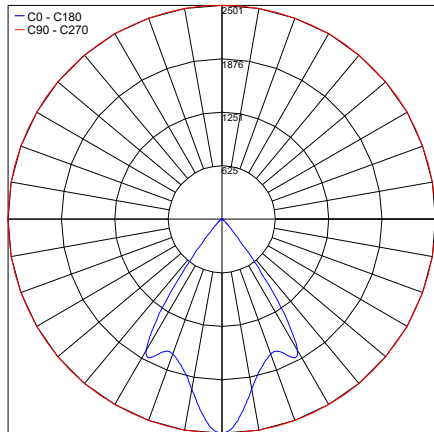


PHOTOMETRIC FILENAME : PIVOT_2.9_L_37_3000K_CRI90_14W_24VDC.IES

CRI 90 - 14W

Adj. 13°x68°

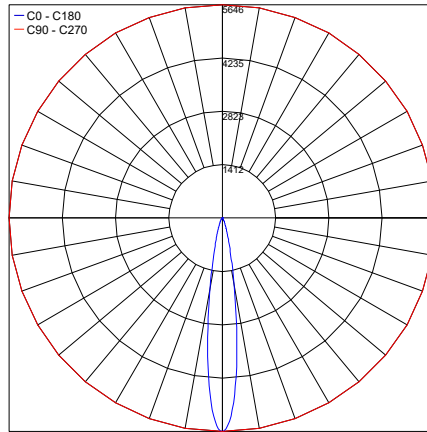
Maximum Candela = 2501.2



PHOTOMETRIC FILENAME : PIVOT_2.9_W_13x68_MAGNET_3000K_CRI90_14W_24VDC.IES

Opt. Range 15°-43°

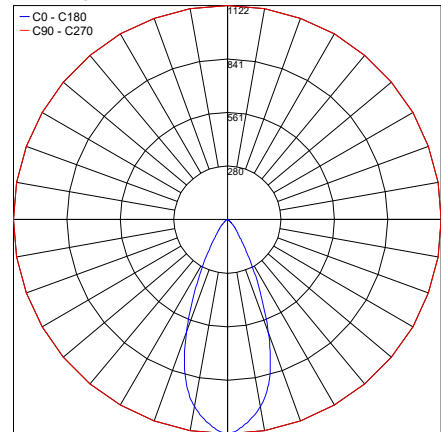
Maximum Candela = 5646.4



PHOTOMETRIC FILENAME : PIVOT_2.9_R3_ZOOM_15° [3000K CRI90 14W 24VDC].IES

Opt. Range 15°-43°

Maximum Candela = 1122



PHOTOMETRIC FILENAME : PIVOT_2.9_R3_ZOOM_43° [3000K CRI90 14W 24VDC].IES

Job Name/Date:

Fixture Type Designation: