

# PIVOT B 2.9

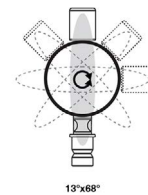
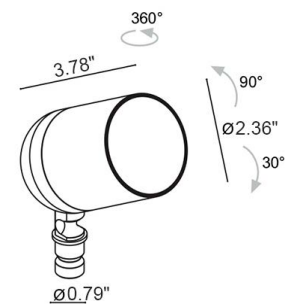
Pivot B is a new application for the compact Pivot floodlights, where poles with spikes provide flexibility in accentuating details in nature, such as flowerbeds and hedges, as well as illuminating pathways, architectural facades, statues and frescoes. They come in 3 sizes, and the poles conceal the power cables for an unobtrusive look among the greenery, with a wide range of optics, anti-glare accessories, and finishes. Dark Sky compliant for output below 80°.



## TECHNICAL DATA

<b>Wattage</b>	10W, 14W
<b>Power Supply</b>	Remote 24VDC, not included. See page 3.
<b>Construction</b>	Body: Anticorodal Aluminum Lens: Tempered Extra-Clear Glass Cable Length: 4.92' Standard
<b>CCT</b>	2700K, 3000K, 4000K
<b>CRI</b>	80, >90
<b>BUG Rating</b>	B1-U0-G0 (3000K - Various Optics) B1-U1-G0 (3000K - Various Optics)
<b>Delivered Lumens</b>	1064 lm (3000K, 25°, 14W, CRI 80), 676 lm (3000K, 25°, 10W, CRI >90), 835 lm (3000K, 25°, 10W, CRI 80), 862 lm (3000K, 25°, 14W, CRI >90) Dark Sky compliant, output below 80°
<b>Efficacy</b>	74.7 lm/W (3000K, 14W, CRI 80) 67.6 lm/W (3000K, 10W, CRI >90) 83.5 lm/W (3000K, 10W, CRI 80) 61.6 lm/W (3000K, 14W, CRI >90)
<b>Optics</b>	5 Standard (see below)
<b>Finishes</b>	4 Standard, Custom RAL on request (4 Stage Marine Grade Finish)
<b>Fixture Dimensions</b>	Ø2.36" x 3.78" h
<b>Fixture Weight</b>	1.23 lbs
<b>Lumen Maintenance</b>	50,000 hrs L95, B10 (Ta 25°C)
<b>Color Consistency</b>	3-Step MacAdam
<b>Operating Temp.</b>	-4°F to +113°F
<b>IP Rating</b>	IP66
<b>Impact Resistance</b>	IK08

Fixture Dimensions



## ORDERING INFORMATION

Example: CP290000050KE. Power Supplies & Accessories ordered separately.

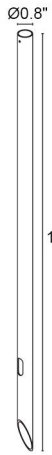
Model #	CRI	Accessories	CCT	Optics	Finish	Cable Length
CP2900 - 10W	0 - CRI 80	000 - None	F - 2700K	0S - 13°	H - Anthracite	4.92' standard
CP2901 - 14W	1 - CRI >90	001 - Honeycomb Louver	5 - 3000K 9 - 4000K	0M - 25° 0L - 37° 0W - 13°x68° R3 - optical range 15°-43° <i>Honeycomb louver not available in 0W and R3</i>	T - Cor-ten 5 - Jasper Green E - White C - Custom RAL <i>(consult factory for "C")</i>	2 - 32.81'

Job Name/Date:

Fixture Type Designation:

## ACCESSORIES

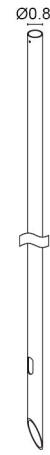
Installation - **REQUIRED** - Order together with single or double lighting fixtures



**WPA00\_\_**  
Single Fixture Ground Spike  
19.7 inch  
Include one of the below finishes:  
**E** - White  
**H** - Anthracite  
**T** - Cor-ten  
**5** - Jasper Green  
**C** - Custom RAL



**WPA01\_\_**  
Single Fixture Ground Spike  
31.5 inch  
Include one of the below finishes:  
**E** - White  
**H** - Anthracite  
**T** - Cor-ten  
**5** - Jasper Green  
**C** - Custom RAL



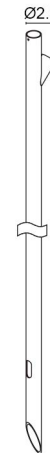
**WPA02\_\_**  
Single Fixture Ground Spike  
43.3 inch  
Include one of the below finishes:  
**E** - White  
**H** - Anthracite  
**T** - Cor-ten  
**5** - Jasper Green  
**C** - Custom RAL



**WPA03\_\_**  
Dual Fixture Ground Spike  
19.7 inch  
Include one of the below finishes:  
**E** - White  
**H** - Anthracite  
**T** - Cor-ten  
**5** - Jasper Green  
**C** - Custom RAL



**WPA04\_\_**  
Dual Fixture Ground Spike  
31.5 inch  
Include one of the below finishes:  
**E** - White  
**H** - Anthracite  
**T** - Cor-ten  
**5** - Jasper Green  
**C** - Custom RAL



**WPA11\_\_**  
Dual Fixture Ground Spike  
43.3 inch  
Include one of the below finishes:  
**E** - White  
**H** - Anthracite  
**T** - Cor-ten  
**5** - Jasper Green  
**C** - Custom RAL

## ACCESSORIES

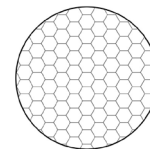
### Anti-Glare



**WB1001\_\_**  
Standard Snoot  
Include one of the below finishes:  
**E** - White  
**H** - Anthracite  
**T** - Cor-ten  
**5** - Jasper Green  
**C** - Custom RAL



**WB1002\_\_**  
Asymmetrical Snoot  
Include one of the below finishes:  
**E** - White  
**H** - Anthracite  
**T** - Cor-ten  
**5** - Jasper Green  
**C** - Custom RAL



**Honeycomb Louver**  
Built into the fixture  
**See the Ordering Matrix on page 1 for optical accessory code**

Job Name/Date:

Fixture Type Designation:

## SUGGESTED POWER SUPPLIES

24VDC

Part Number	Description	Input/Output	# of Fixtures	
			10W	14W
<a href="#">PPLT00543</a>	0-10V Dimming to 15% (-40°C / -40°F cold weather start)	120-277VAC to 24VDC, 100W, Class 2	1-8	1-5
<a href="#">PPLT00284</a>	Non-Dim	120-277VAC to 24VDC, 100W, Class 2, DAMP	1-8	1-5

## Suggested Lutron Compatible

Part Number	Option	Lutron SKU	Dim Range	Description	Input/Output	# of Fixtures	
						10W	14W
<a href="#">PPLT00530</a>	L3DAE / L3DA3W	L3DA	100%-1%	Hi-Lume™ 1% EcoSystem™ or 1% 3-Wire LED Driver	120-277VAC to 24VDC, 96W, Class 2	1-7	1-5

## DRIVERS IN NEMA ENCLOSURE

Remote 24VDC - ELV / TRIAC / 0-10V



PPLT00715

Part Number	Description	Input/Output	# of Fixtures	
			10W	14W
<a href="#">PPLT00715</a>	ELV / TRIAC / 0-10V Dimming to 0.1%	120-277VAC to 24VDC, 96W, Class 2, WET/DAMP	1-7	1-5

For other power supply options consult factory.

Job Name/Date:

Fixture Type Designation:

## PHOTOMETRIC DATA

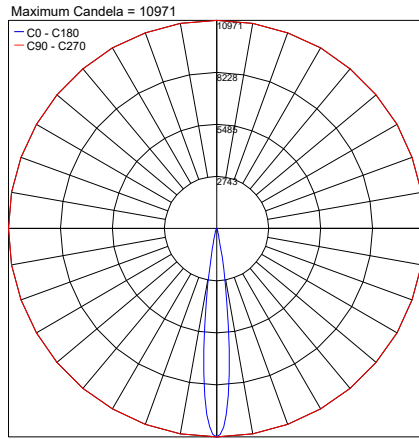
Note: All photometry is 3000K

CRI 80 - 10W

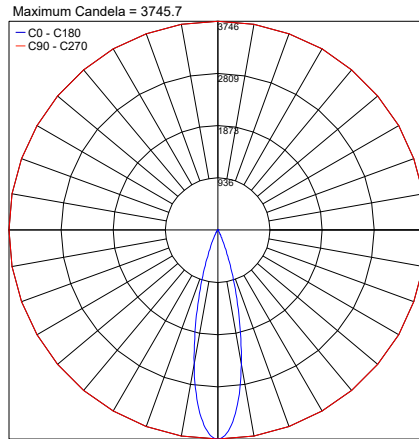
13°

25°

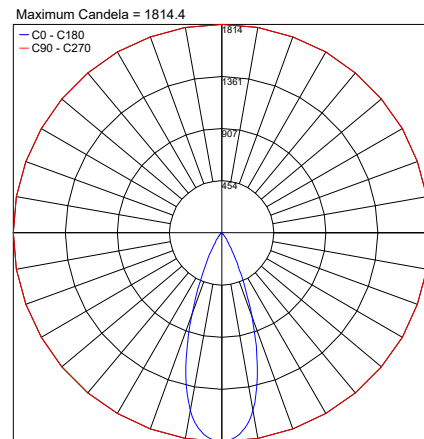
37°



PHOTOMETRIC FILENAME : PIVOT\_2.9\_S\_13\_3000K\_CRI80\_10W\_24VDC.IES



PHOTOMETRIC FILENAME : PIVOT\_2.9\_M\_25\_3000K\_CRI80\_10W\_24VDC.IES



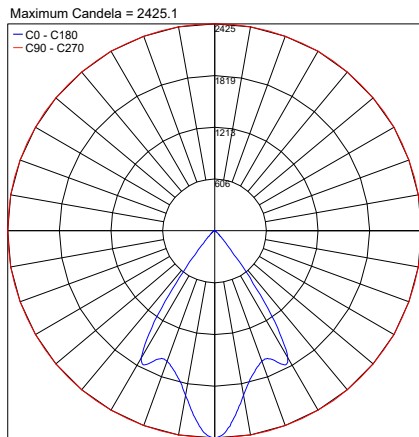
PHOTOMETRIC FILENAME : PIVOT\_2.9\_L\_37\_3000K\_CRI80\_10W\_24VDC.IES

CRI 80 - 10W

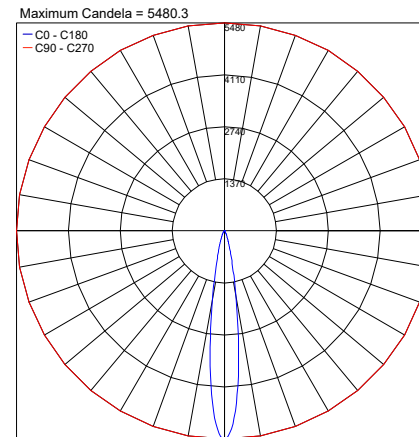
Adj. 13°x68°

Zoom 15°

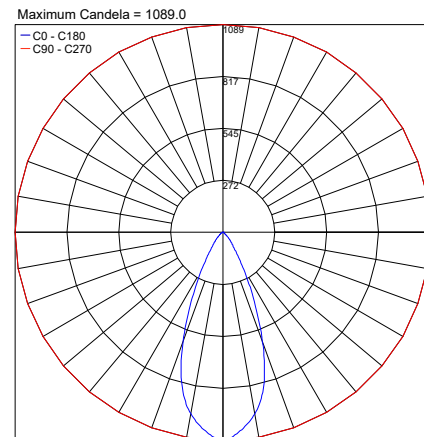
Zoom 43°



PHOTOMETRIC FILENAME : PIVOT\_2.9\_W\_13X68\_MAGNET\_3000K\_CRI80\_10W\_24VDC.IES



PHOTOMETRIC FILENAME : PIVOT\_2.9\_R3\_ZOOM\_15° [3000K\_CRI80\_10W\_24VDC].IES



PHOTOMETRIC FILENAME : PIVOT\_2.9\_R3\_ZOOM\_43° [3000K\_CRI80\_10W\_24VDC].IES

Job Name/Date:

Fixture Type Designation:

## PHOTOMETRIC DATA

Note: All photometry is 3000K

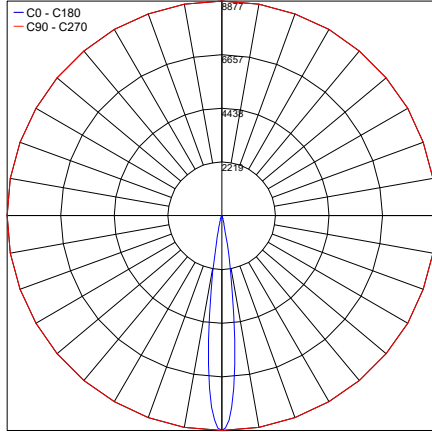
CRI 90 - 10W

13°

25°

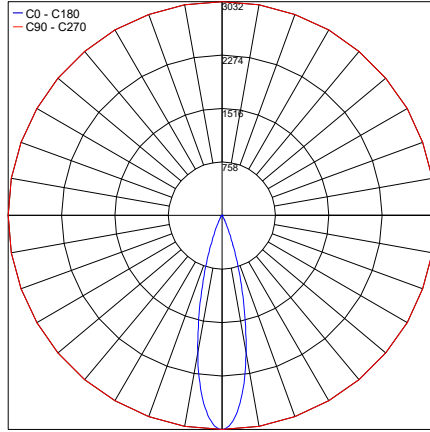
37°

Maximum Candela = 8876.7



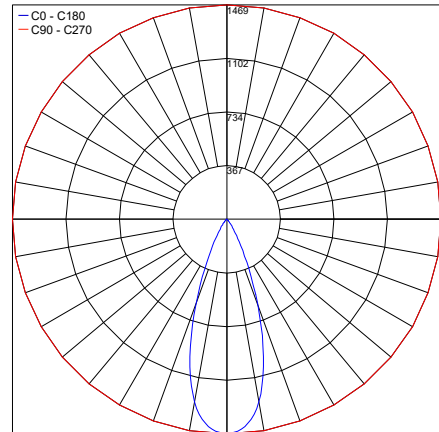
PHOTOMETRIC FILENAME : PIVOT\_2.9\_S\_13\_3000K\_CRI90\_10W\_24VDC.IES

Maximum Candela = 3032.4



PHOTOMETRIC FILENAME : PIVOT\_2.9\_M\_25\_3000K\_CRI90\_10W\_24VDC.IES

Maximum Candela = 1469



PHOTOMETRIC FILENAME : PIVOT\_2.9\_L\_37\_3000K\_CRI90\_10W\_24VDC.IES

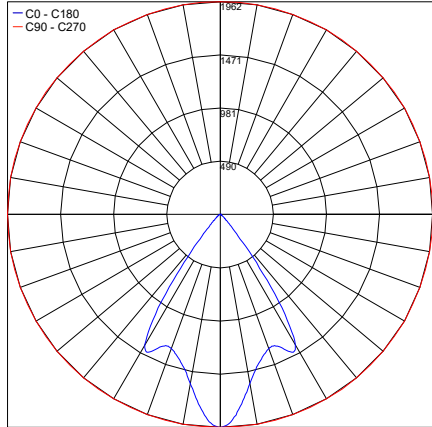
CRI 90 - 10W

Adj. 13°x68°

Opt. Range 15°-43°

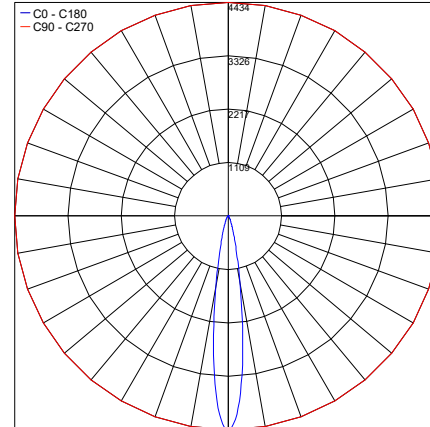
Opt. Range 15°-43°

Maximum Candela = 1961.5



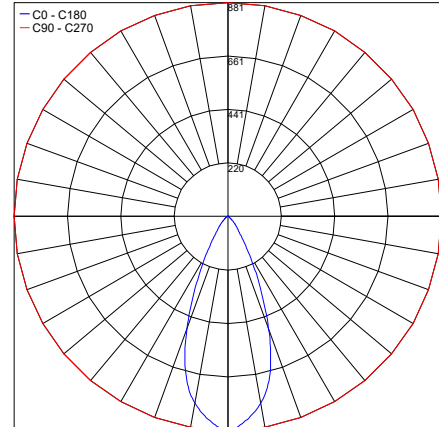
PHOTOMETRIC FILENAME : PIVOT\_2.9\_W\_13x68\_MAGNET\_3000K\_CRI90\_10W\_24VDC.IES

Maximum Candela = 4434.1



PHOTOMETRIC FILENAME : PIVOT 2.9 R3 ZOOM 15° [3000K CRI90 10W 24VDC].IES

Maximum Candela = 881.3



PHOTOMETRIC FILENAME : PIVOT 2.9 R3 ZOOM 43° [3000K CRI90 10W 24VDC].IES

Job Name/Date:

Fixture Type Designation:

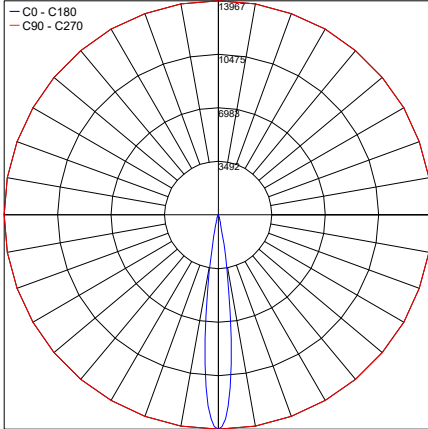
## PHOTOMETRIC DATA

Note: All photometry is 3000K

CRI 80 - 14W

13°

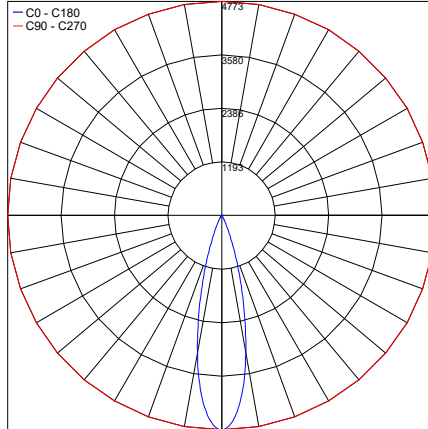
Maximum Candela = 13966.9



PHOTOMETRIC FILENAME : PIVOT\_2.9\_S\_13\_3000K\_CRI80\_14W\_24VDC.IES

25°

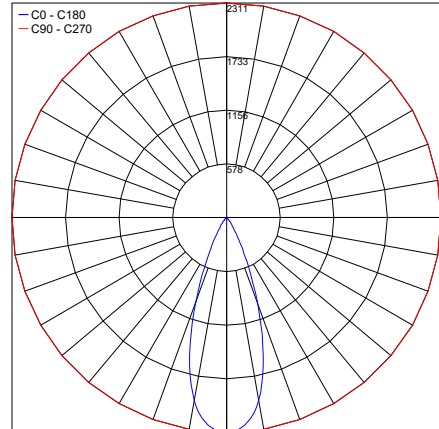
Maximum Candela = 4773



PHOTOMETRIC FILENAME : PIVOT\_2.9\_M\_25\_3000K\_CRI80\_14W\_24VDC.IES

37°

Maximum Candela = 2311.1

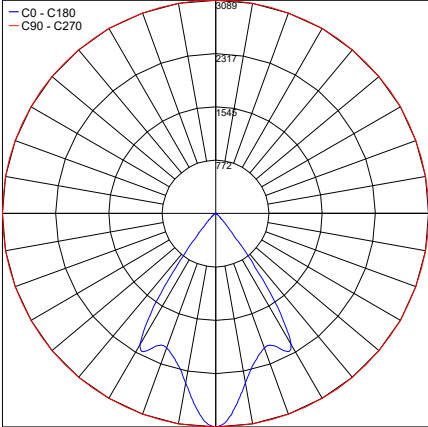


PHOTOMETRIC FILENAME : PIVOT\_2.9\_L\_37\_3000K\_CRI80\_14W\_24VDC.IES

CRI 80 - 14W

Adj. 13°x68°

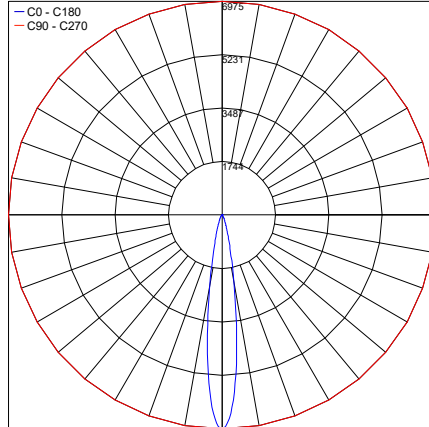
Maximum Candela = 3089.3



PHOTOMETRIC FILENAME : PIVOT\_2.9\_W\_13x68\_MAGNET\_3000K\_CRI80\_14W\_24VDC.IES

Opt. Range 15°-43°

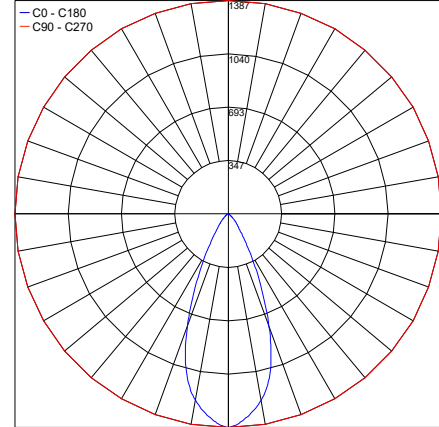
Maximum Candela = 6975



PHOTOMETRIC FILENAME : PIVOT\_2.9\_R3\_ZOOM\_15° [3000K CRI80 14W 24VDC].IES

Opt. Range 15°-43°

Maximum Candela = 1386.8



PHOTOMETRIC FILENAME : PIVOT\_2.9\_R3\_ZOOM\_43° [3000K CRI80 14W 24VDC].IES

Job Name/Date:

Fixture Type Designation:

## PHOTOMETRIC DATA

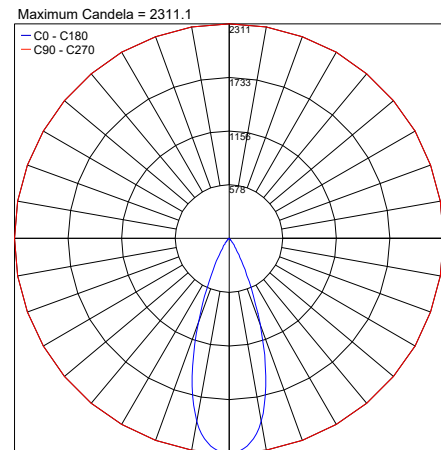
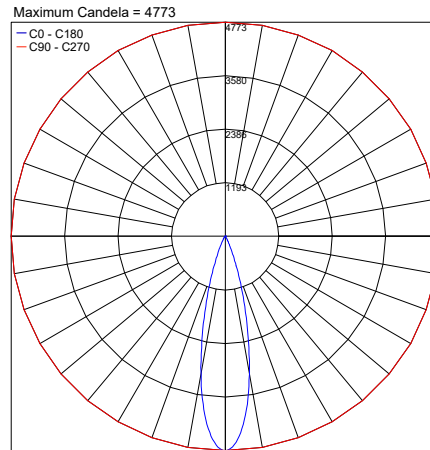
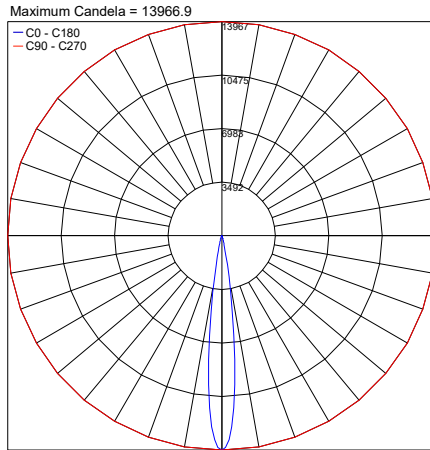
Note: All photometry is 3000K

CRI 80 - 14W

13°

25°

37°

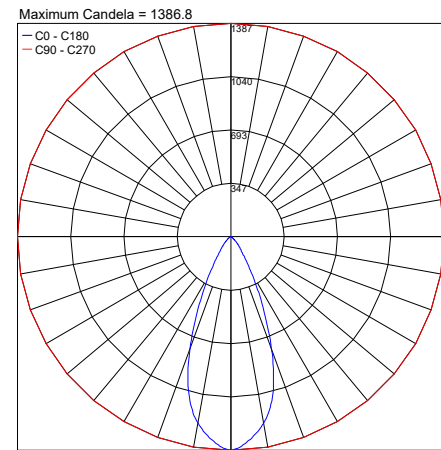
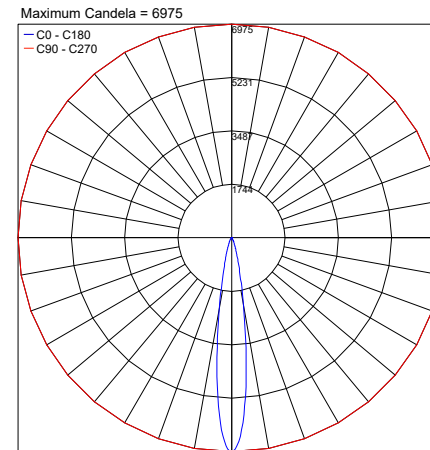
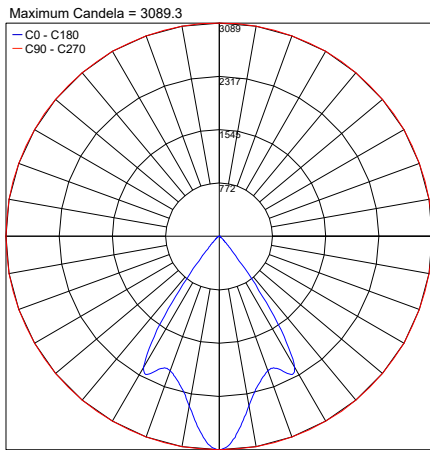


CRI 80 - 14W

Adj. 13°x68°

Opt. Range 15°-43°

Opt. Range 15°-43°



Job Name/Date:

Fixture Type Designation:

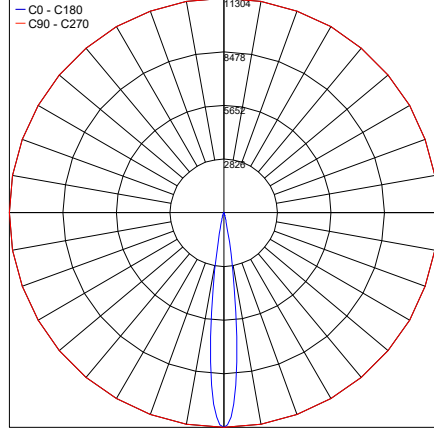
## PHOTOMETRIC DATA

Note: All photometry is 3000K

CRI 90 - 14W

13°

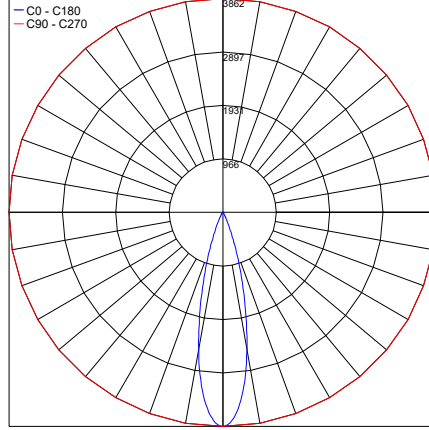
Maximum Candela = 11303.9



PHOTOMETRIC FILENAME : PIVOT\_2.9\_S\_13\_3000K\_CRI90\_14W\_24VDC.IES

25°

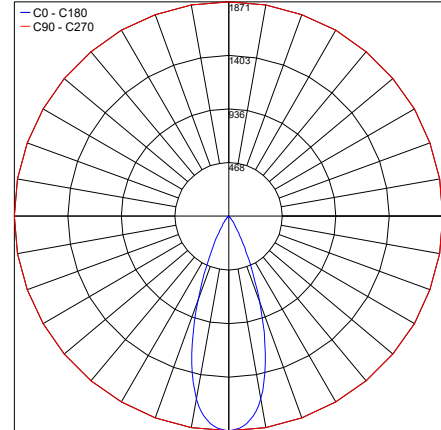
Maximum Candela = 3862.3



PHOTOMETRIC FILENAME : PIVOT\_2.9\_M\_25\_3000K\_CRI90\_14W\_24VDC.IES

37°

Maximum Candela = 1871.1

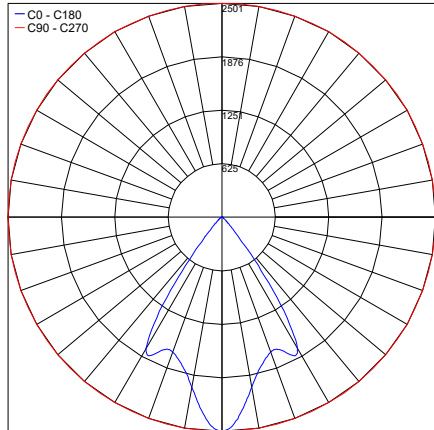


PHOTOMETRIC FILENAME : PIVOT\_2.9\_L\_37\_3000K\_CRI90\_14W\_24VDC.IES

CRI 90 - 14W

Adj. 13°x68°

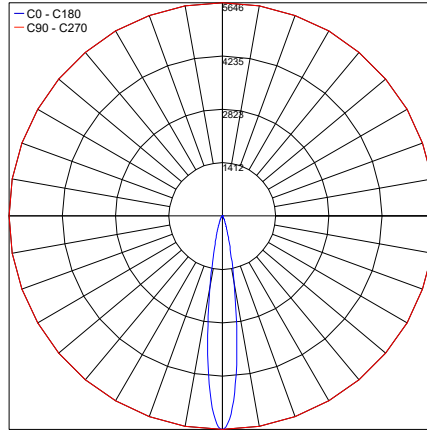
Maximum Candela = 2501.2



PHOTOMETRIC FILENAME : PIVOT\_2.9\_W\_13x68\_MAGNET\_3000K\_CRI90\_14W\_24VDC.IES

Opt. Range 15°-43°

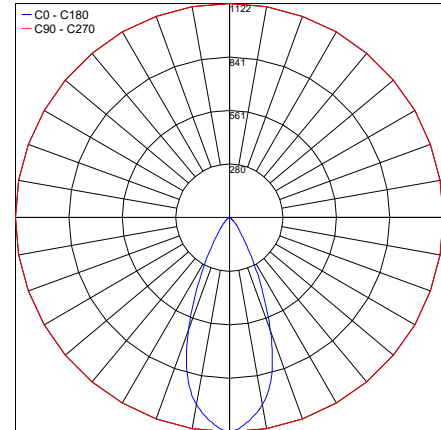
Maximum Candela = 5646.4



PHOTOMETRIC FILENAME : PIVOT\_2.9\_R3\_ZOOM\_15° [3000K CRI90 14W 24VDC].IES

Opt. Range 15°-43°

Maximum Candela = 1122



PHOTOMETRIC FILENAME : PIVOT\_2.9\_R3\_ZOOM\_43° [3000K CRI90 14W 24VDC].IES

Job Name/Date:

Fixture Type Designation: