

# PIVOT B 3.9

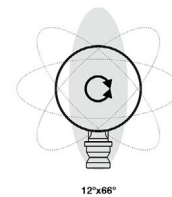
Pivot B is a new application for the compact Pivot floodlights, where poles with spikes provide flexibility in accentuating details in nature, such as flowerbeds and hedges, as well as illuminating pathways, architectural facades, statues and frescoes. They come in 3 sizes, and the poles conceal the power cables for an unobtrusive look among the greenery, with a wide range of optics, anti-glare accessories, and finishes.



## TECHNICAL DATA

|                           |  |
|---------------------------|--|
| <b>Wattage</b>            | 25W  |
| <b>Power Supply</b>       | Remote 24VDC, not included. See page 3.  |
| <b>Construction</b>       | Body: Anticorodal Aluminum<br>Lens: Tempered Extra-Clear Glass<br>Cable Length: 4.92' Standard |
| <b>CCT</b>                | 2700K, 3000K, 4000K  |
| <b>CRI</b>                | 80, >90  |
| <b>BUG Rating</b>         | B2-U0-G0 (3000K - All Optics)  |
| <b>Delivered Lumens</b>   | 1575 lm (3000K, 13°, 25W, CRI 90),<br>1818 lm (3000K, 13°, 25W, CRI 80)                        |
| <b>Efficacy</b>           | 63.0 lm/W (3000K, 13°, 25W, CRI 90),<br>72.7 lm/W (3000K, 13°, 25W, CRI 80)                    |
| <b>Optics</b>             | 6 Standard (see below)   |
| <b>Finishes</b>           | 4 Standard, Custom RAL on request  |
| <b>Fixture Dimensions</b> | Ø3.11" x 4.84" h   |
| <b>Fixture Weight</b>     | 2.12 lbs   |
| <b>Lumen Maintenance</b>  | 50,000 hrs L70, B10 (Ta 25°C)  |
| <b>Color Consistency</b>  | 2-Step MacAdam   |
| <b>Operating Temp.</b>    | -20°C to +50°C   |
| <b>IP Rating</b>          | IP66   |
| <b>Impact Resistance</b>  | IK08   |

Fixture Dimensions



## ORDERING INFORMATION

Example: CP3900000050KE. Power Supplies & Accessories ordered separately.

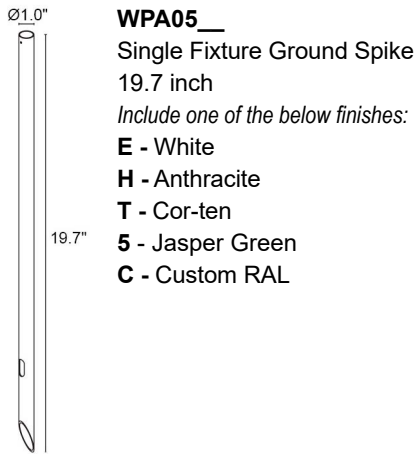
| Model # | CRI                       | Accessories                          | CCT                                 | Optics   | Finish   |
|---------|---------------------------|--------------------------------------|-------------------------------------|--|--|
| CP3900  | 0 - CRI 80<br>1 - CRI >90 | 000 - None<br>001 - Honeycomb Louver | F - 2700K<br>5 - 3000K<br>9 - 4000K | 0S - 13°<br>0M - 29°<br>0L - 42°<br>0K - 59°<br>0W - 12°x66°<br>R3 - optical range 15° - 38°<br><i>Honeycomb louver not available in 0W and R3</i> | H - Anthracite<br>T - Cor-ten<br>5 - Jasper Green<br>E - White<br>C - Custom RAL<br><i>(consult factory for "C")</i> |

Job Name/Date:

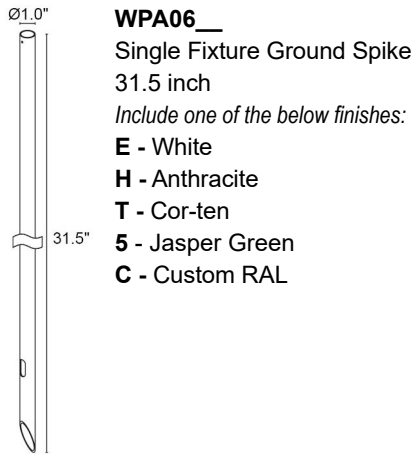
Fixture Type Designation:

## ACCESSORIES

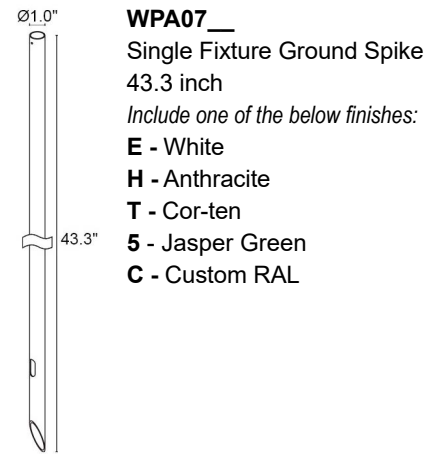
Installation - **REQUIRED** - Order together with single or double lighting fixtures



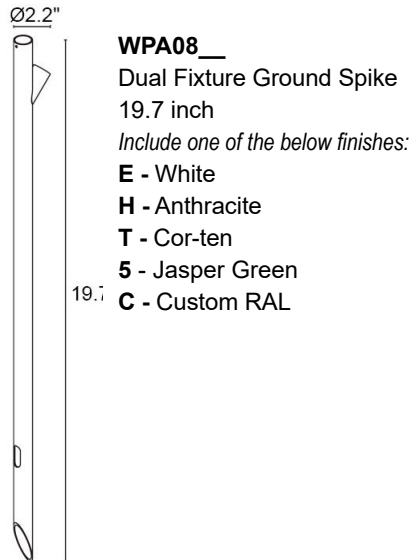
**WPA05\_\_**  
Single Fixture Ground Spike  
19.7 inch  
Include one of the below finishes:  
**E** - White  
**H** - Anthracite  
**T** - Cor-ten  
**5** - Jasper Green  
**C** - Custom RAL



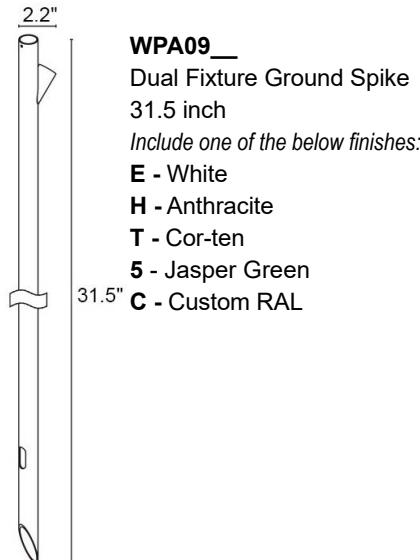
**WPA06\_\_**  
Single Fixture Ground Spike  
31.5 inch  
Include one of the below finishes:  
**E** - White  
**H** - Anthracite  
**T** - Cor-ten  
**5** - Jasper Green  
**C** - Custom RAL



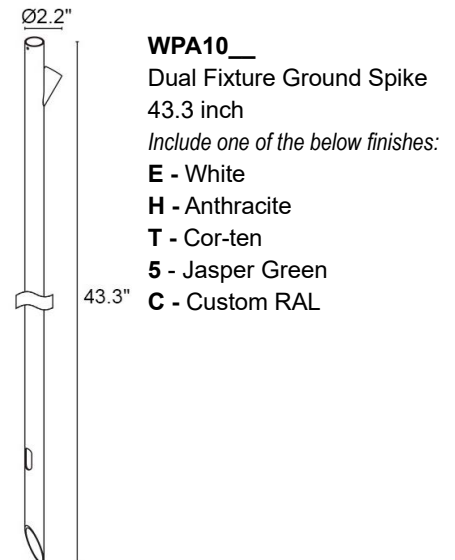
**WPA07\_\_**  
Single Fixture Ground Spike  
43.3 inch  
Include one of the below finishes:  
**E** - White  
**H** - Anthracite  
**T** - Cor-ten  
**5** - Jasper Green  
**C** - Custom RAL



**WPA08\_\_**  
Dual Fixture Ground Spike  
19.7 inch  
Include one of the below finishes:  
**E** - White  
**H** - Anthracite  
**T** - Cor-ten  
**5** - Jasper Green  
**C** - Custom RAL



**WPA09\_\_**  
Dual Fixture Ground Spike  
31.5 inch  
Include one of the below finishes:  
**E** - White  
**H** - Anthracite  
**T** - Cor-ten  
**5** - Jasper Green  
**C** - Custom RAL



**WPA10\_\_**  
Dual Fixture Ground Spike  
43.3 inch  
Include one of the below finishes:  
**E** - White  
**H** - Anthracite  
**T** - Cor-ten  
**5** - Jasper Green  
**C** - Custom RAL

## ACCESSORIES

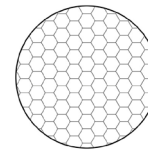
### Anti-Glare



**WBA16\_\_**  
Standard Snoot  
Include one of the below finishes:  
**E** - White  
**H** - Anthracite  
**T** - Cor-ten  
**5** - Jasper Green  
**C** - Custom RAL



**WBA17\_\_**  
Asymmetrical Snoot  
Include one of the below finishes:  
**E** - White  
**H** - Anthracite  
**T** - Cor-ten  
**5** - Jasper Green  
**C** - Custom RAL



**Honeycomb Louver**  
Built into the fixture



**Magnet**  
For adjustable optics and zoom

Job Name/Date:

Fixture Type Designation:

## SUGGESTED POWER SUPPLIES - 24VDC

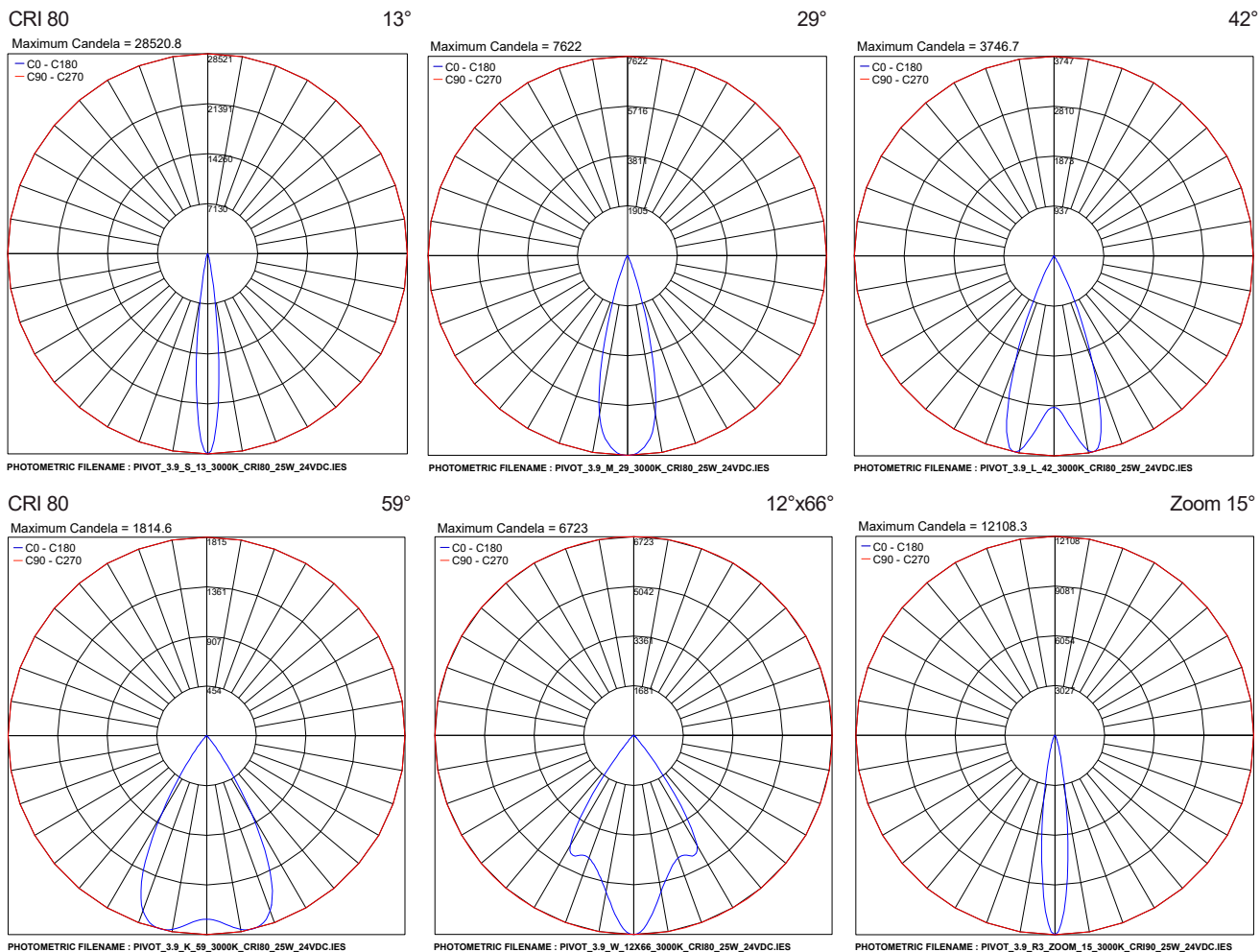
| Part Number               | Description   | Input/Output                             | # of Fixtures |
|---------------------------|---|--|---------------|
| <a href="#">PPLT00586</a> | Non-Dim   | 120-277VAC to 24VDC, 40W, Class 2        | 1-1           |
| <a href="#">PPLT00690</a> | ELV / TRIAC & 0-10V Dimming                             | 120-277VAC to 24VDC, 40W, Class 2, IP67  | 1-1           |
| <a href="#">PPLT00627</a> | ELV / TRIAC & 0-10V Dimming (100-0%)                    | 120-277VAC to 24VDC, 96W, Class 2, IP67  | 1-3           |
| <a href="#">PPLT00284</a> | Non-Dim   | 120-277VAC to 24VDC, 100W, Class 2, DAMP | 1-3           |
| <a href="#">PPLT00543</a> | 0-10V Dimming to 15% (-40°C / -40°F cold weather start) | 120-277VAC to 24VDC, 100W, Class 2       | 1-3           |

## Suggested Lutron Compatible

| Part Number               | Option         | Lutron SKU | Dim Range | Description                                    | Input/Output                      | # of Fixtures |
|---------------------------|----------------|------------|-----------|--|-----------------------------------|---------------|
| <a href="#">PPLT00273</a> | L3DAE / L3DA3W | L3DA       | 100%-1%   | Hi-Lume™ 1% EcoSystem™ or 1% 3-Wire LED Driver | 120-277VAC to 24VDC, 40W, Class 2 | 1-1           |
| <a href="#">PPLT00530</a> | L3DAE / L3DA3W | L3DA       | 100%-1%   | Hi-Lume™ 1% EcoSystem™ or 1% 3-Wire LED Driver | 120-277VAC to 24VDC, 96W, Class 2 | 1-3           |

For other power supply options consult factory.

## PHOTOMETRIC DATA - Note: All photometry is 3000K



Job Name/Date:

Fixture Type Designation:

## PHOTOMETRIC DATA - Note: All photometry is 3000K

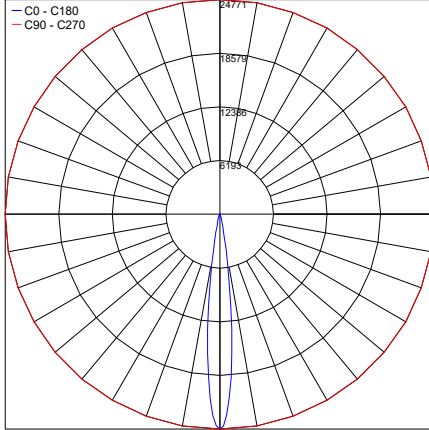
CRI 90

13°

29°

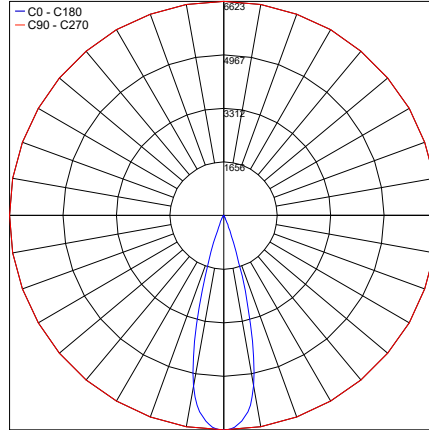
42°

Maximum Candela = 24771.4



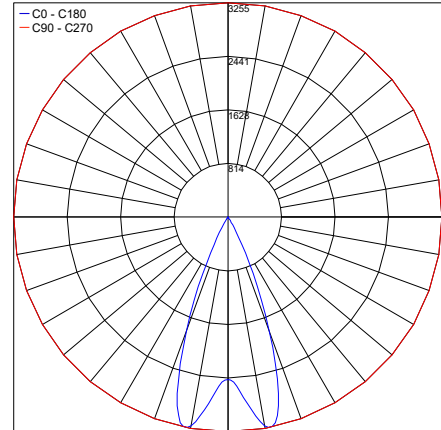
PHOTOMETRIC FILENAME : PIVOT\_3.9\_S\_13\_3000K\_CRI90\_25W\_24VDC.IES

Maximum Candela = 6623.1



PHOTOMETRIC FILENAME : PIVOT\_3.9\_M\_29\_3000K\_CRI90\_25W\_24VDC.IES

Maximum Candela = 3255.2



PHOTOMETRIC FILENAME : PIVOT\_3.9\_L\_42\_3000K\_CRI90\_25W\_24VDC.IES

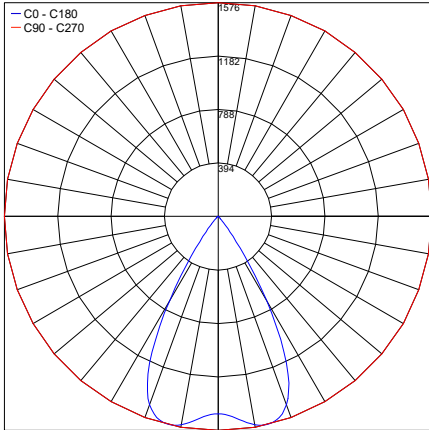
CRI 90

59°

12°x66°

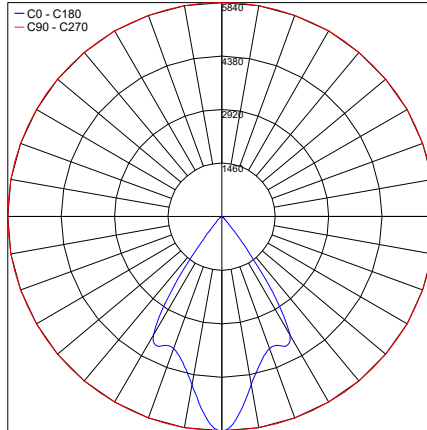
Zoom 15°

Maximum Candela = 1576.4



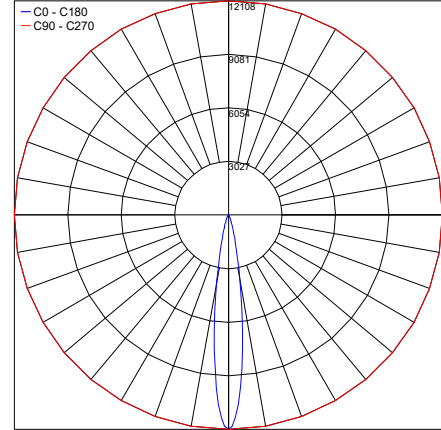
PHOTOMETRIC FILENAME : PIVOT\_3.9\_K\_59\_3000K\_CRI90\_25W\_24VDC.IES

Maximum Candela = 5839.6



PHOTOMETRIC FILENAME : PIVOT\_3.9\_W\_12x66\_3000K\_CRI90\_25W\_24VDC.IES

Maximum Candela = 12108.3



PHOTOMETRIC FILENAME : PIVOT\_3.9\_R3\_ZOOM\_15\_3000K\_CRI90\_25W\_24VDC.IES

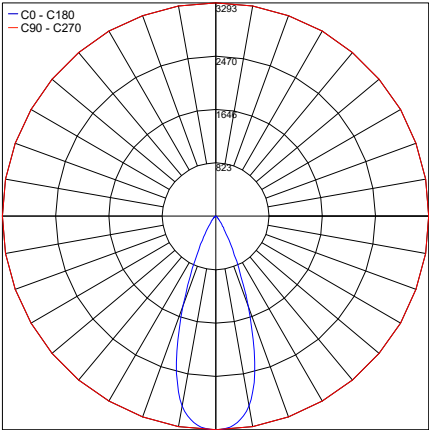
CRI 80

Zoom 38°

CRI 90

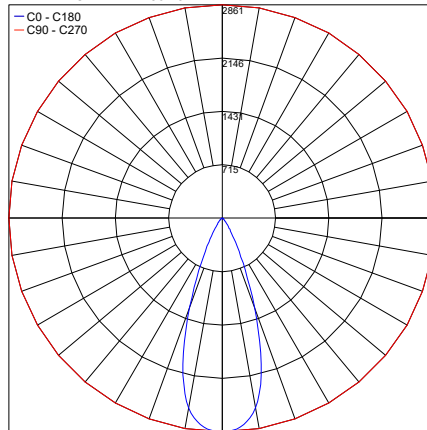
Zoom 38°

Maximum Candela = 3292.7



PHOTOMETRIC FILENAME : PIVOT\_3.9\_R3\_ZOOM\_38\_3000K\_CRI80\_25W\_24VDC.IES

Maximum Candela = 2861.3



PHOTOMETRIC FILENAME : PIVOT\_3.9\_R3\_ZOOM\_38\_3000K\_CRI90\_25W\_24VDC.IES

Job Name/Date:

Fixture Type Designation: