

ALTOPIANO C 1.1

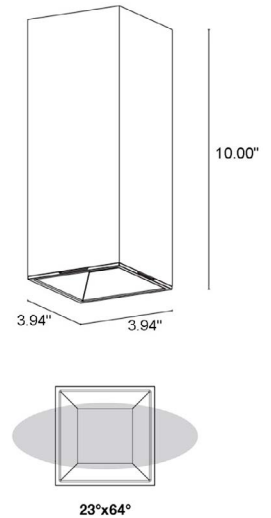
Altopiano C are outdoor ceiling-mounted luminaires that can be coordinated with Altopiano downlights, and Altopiano S suspended fixtures. They come in a cylindrical or square version in 2 sizes with a minimalist look perfect for hospital-ity and residential settings. It has recessed optics for excellent visual comfort and a UGR of less than 19 with a variety of optics. Altopiano C 1.1 is the 4.0" square x 10.0" version.



TECHNICAL DATA

| | |
|---------------------------|--|
| Wattage / Input | 8W |
| Power Supply | Integral 120VAC |
| Construction | Body: Anticorodal Aluminum Lens: Serigraphed-gray and Transparent Extra-clear Glass |
| CCT | 2200K, 2700K, 3000K, 4000K |
| CRI | 80, >90 (2200K only available >90) |
| BUG Rating | B1-U0-G0 (50°, 19°, 23°x64°) B1-U1-G0 (37°, 25°) |
| Delivered Lumens | 498 lm (3000K, 25°, CRI >90) 588 lm (3000K, 25°, CRI 80) |
| Efficacy | 62.3 lm/W (3000K, 25°, CRI >90) 73.5 lm/W (3000K, 25°, CRI 80) |
| Optics | 6 Standard (see below) |
| Finishes | 4 Standard, Custom RAL on request |
| Fixture Dimensions | 3.94" x 3.94" x 10.0" h |
| Fixture Weight | 3.09 lbs |
| LED Source | 1 COB LED |
| Lumen Maintenance | 60,000 hrs L90, B10 (Ta 25°C) |
| Color Consistency | 2-Step MacAdam |
| Operating Temp. | -4°F to +122°F |
| IP Rating | IP66 |
| IK Rating | IK07 |

Fixture Dimensions



ORDERING INFORMATION

Example: AC1110100150KF. Accessories ordered separately.

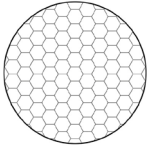
| AC1110 | | | | | | |
|---------|---|----------------------------|--|---|--|--|
| Model # | CRI | Control System | Accessories | CCT | Optics | Finish |
| AC1110 | 0 - CRI 80 (not available on 2200K) 1 - CRI >90 | 0 - On / Off D - DALI-2 | 00 - None 01 - Honeycomb 02 - Anti-Glare <i>Honeycomb Louvre and Anti-glare Shield not available on 0W and 0D (Diffuse)</i> | N - 2200K <i>(CRI>90 only)</i> F - 2700K 5 - 3000K 9 - 4000K | 0S - 19° 0M - 25° 0L - 37° 0K - 50° 0W - 23°x64° 0D - Diffuse | H - Anthracite T - Cor-ten F - Gray E - White C - Custom RAL <i>(consult factory for "C")</i> |

Job Name/Date:

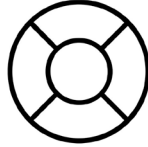
Fixture Type Designation:

ACCESSORIES

Anti-Glare



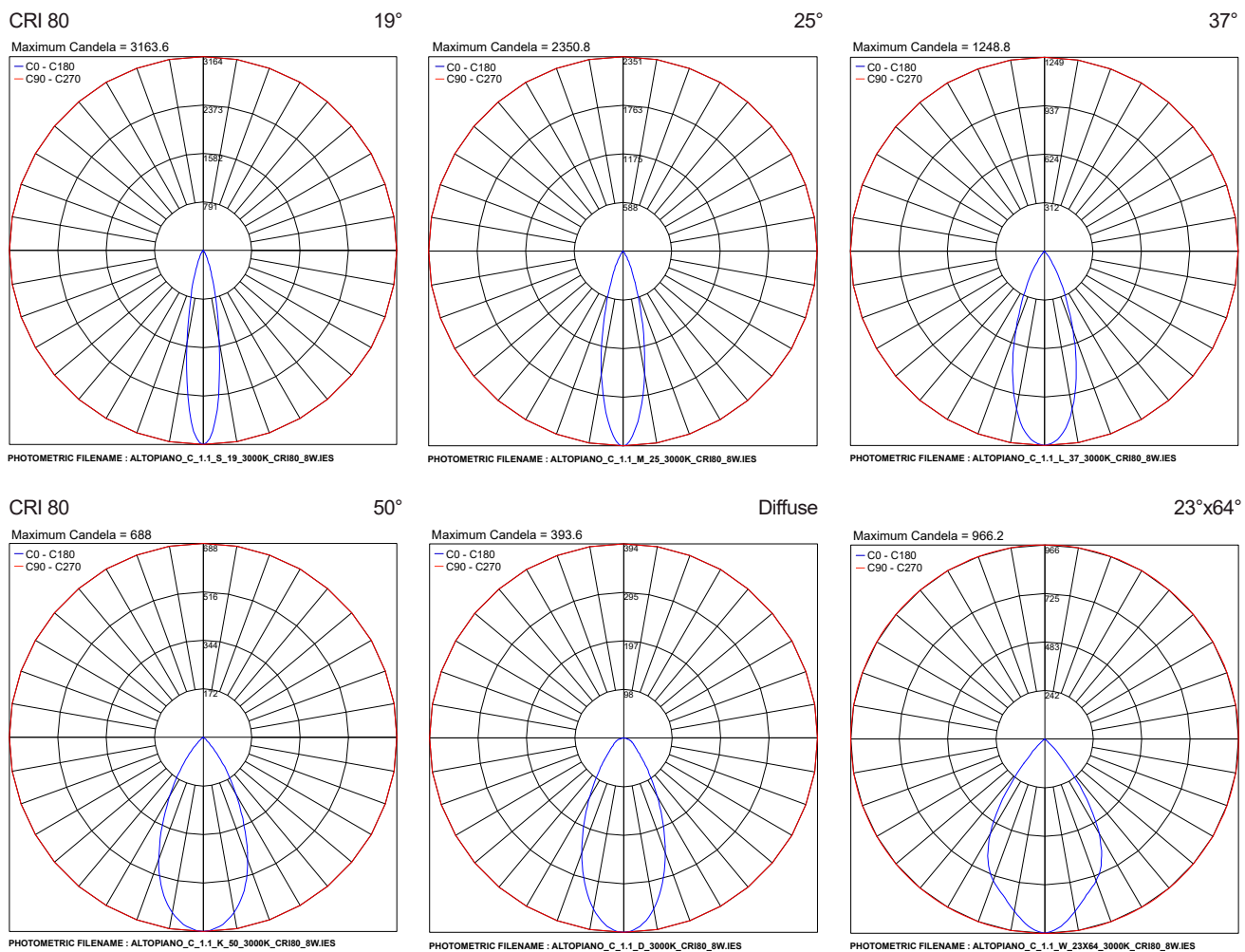
Honeycomb Louvre
 Built into the fixture
 Can be provided on all optics
 except for diffuse and elliptical optics



Anti-glare Shield
 Built into the fixture
 Can be provided on all optics
 except for diffuse and elliptical optics

PHOTOMETRIC DATA

Note: All photometry is 3000K



Job Name/Date:

Fixture Type Designation:

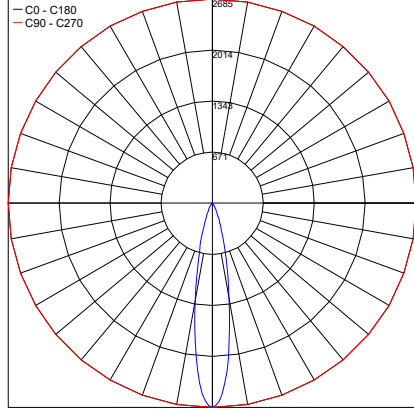
PHOTOMETRIC DATA

Note: All photometry is 3000K

CRI 80

19°

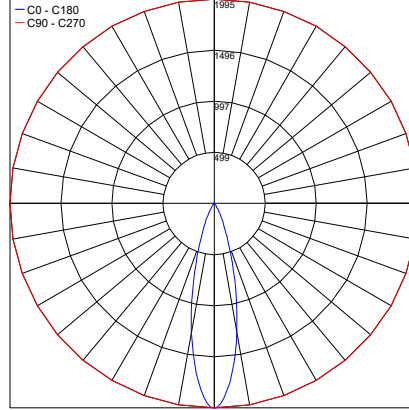
Maximum Candela = 2685.5



PHOTOMETRIC FILENAME : ALTOPIANO_C_1.1_S_19_3000K_CR190_8W.IES

25°

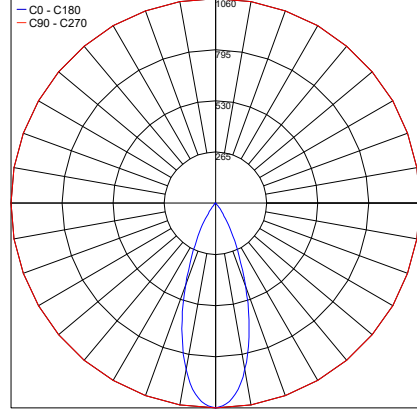
Maximum Candela = 1995



PHOTOMETRIC FILENAME : ALTOPIANO_C_1.1_M_25_3000K_CR190_8W.IES

37°

Maximum Candela = 1059.7

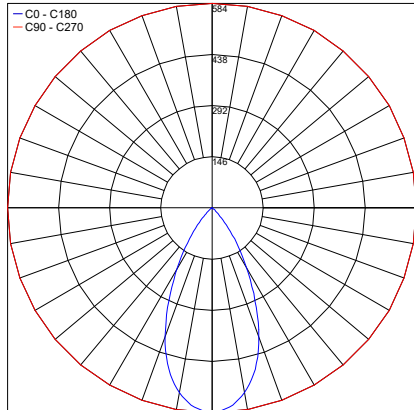


PHOTOMETRIC FILENAME : ALTOPIANO_C_1.1_L_37_3000K_CR190_8W.IES

CRI 80

50°

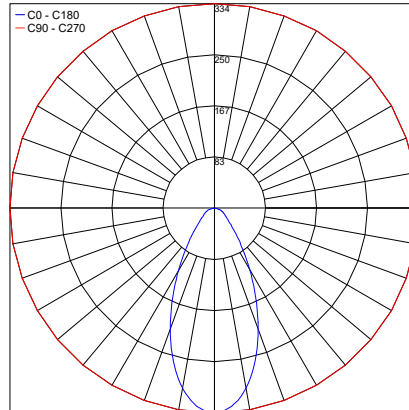
Maximum Candela = 584.3



PHOTOMETRIC FILENAME : ALTOPIANO_C_1.1_K_50_3000K_CR190_8W.IES

Diffuse

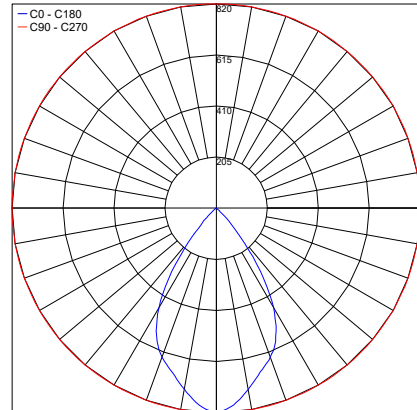
Maximum Candela = 333.9



PHOTOMETRIC FILENAME : ALTOPIANO_C_1.1_D_3000K_CR190_8W.IES

23°x64°

Maximum Candela = 820.1



PHOTOMETRIC FILENAME : ALTOPIANO_C_1.1_W_23X64_3000K_CR190_8W.IES

Job Name/Date:

Fixture Type Designation: