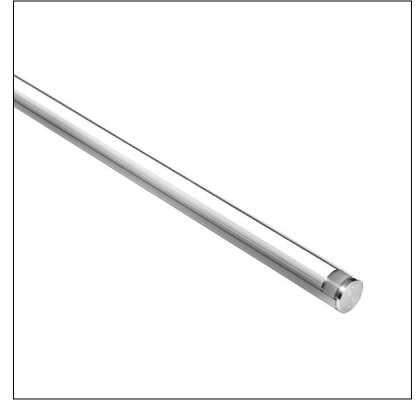


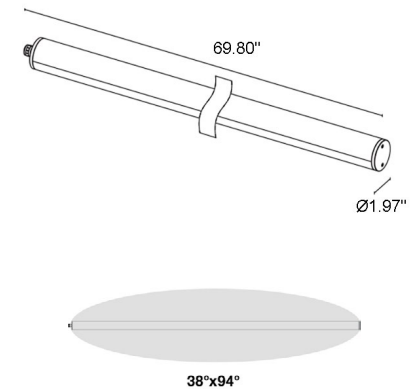
Trevi are a series of linear profiles suitable for outdoor and underwater applications featuring a cylindrical screen, a distinctive characteristic that enables the profile to 'disappear' in the water, leaving just its light to capture the eye. Trevi 2.2 is 69.8" in length and offers static white light with elliptical or diffused optics.



TECHNICAL DATA

Wattage / Input	63W (24VDC)
Power Supply	Remote, not included. See page 2.
Construction	End Caps: AISI 316L Stainless Steel Heat Sink: Internal Anticorodal Aluminum Lens: Transparent Polycarbonate Cable Length: 16.4 ft
CCT	2200K, 2700K, 3000K, 4000K
CRI	80
BUG Rating	B3-U2-G1 (38°x94°) B2-U2-G1 (Diffuse)
Delivered Lumens	6726 lm (3000K, 38°x94°)
Efficacy	106.8 lm/W (3000K, 38°x94°)
Optics	38°x94°, Diffuse
Finish	Polycarbonate
Fixture Dimensions	Ø1.97" x 69.80"
Fixture Weight	10.58 lbs
LED Source	118 mid-power LEDs
Lumen Maintenance	60,000h L80 B10 (Ta 25°C)
Color Consistency	3-Step MacAdam
Operating Temp.	-4°F - 113°F (installation outdoors) 32°F - 113°F (installation underwater)
IP Rating	IP65, IP68
Impact Rating	IK10
Max Depth	32.81 ft

Fixture Dimensions



ORDERING INFORMATION

Example: TR22000000N0WP. Accessories / Power Supplies ordered separately.

TR22000000			P
Model No.	CCT	Optics	Finish
TR22000000	N0 - 2200K F0 - 2700K 50 - 3000K 90 - 4000K	W - 38°x49° D - Diffuse	P - Polycarbonate

Job Name/Date:

Fixture Type Designation:

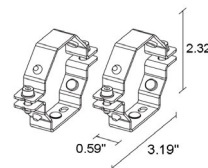
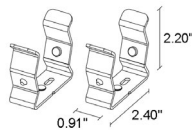
SUGGESTED POWER SUPPLIES

STATIC WHITE - 24VDC (FOR USE WITH FOUNTAIN / WATER FEATURES)

Part Number	Description	Input/Output	# of Fixtures
FPV-100110024	ELV / TRIAC & 0-10V Dimming (100 to 0%)	120-277VAC to 24VDC, 96W, Class 2, NEMA 4	1-1
FPV-100000024	Non-Dim	120-277VAC to 24VDC, 100W, Class 2, NEMA 4	1-1

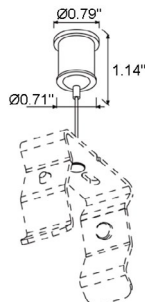
For other power supply options consult factory.

ACCESSORIES - Installation (REQUIRED)



WMA04
Clips Pair

WMA05
Pair of temper-resistant clips



WMA07
Suspension Kit

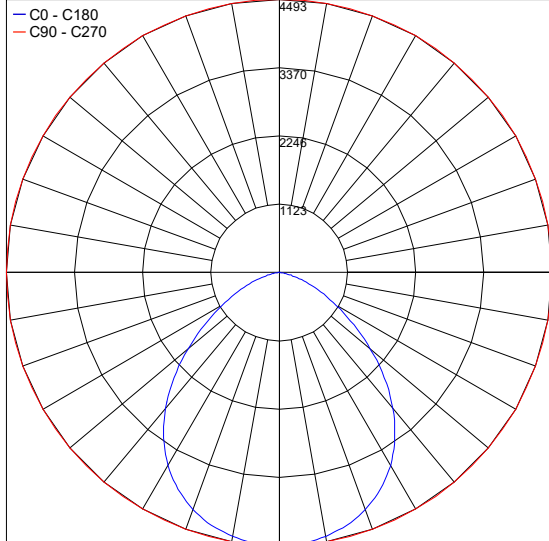
Job Name/Date:

Fixture Type Designation:

PHOTOMETRIC DATA

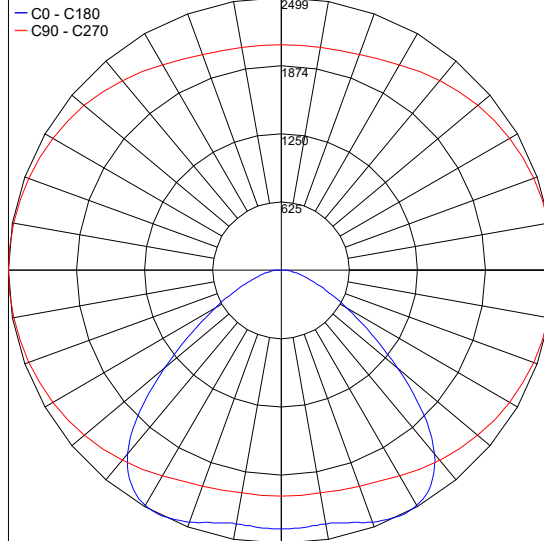
Note all Photometry is 3000K

Maximum Candela = 4492.8



PHOTOMETRIC FILENAME : TREVI_2.2_W_38X94_3000K_63W_24VDC.IES

Maximum Candela = 2499.2



PHOTOMETRIC FILENAME : TREVI_2.2_D_3000K_63W_24VDC.IES

Job Name/Date:

Fixture Type Designation: