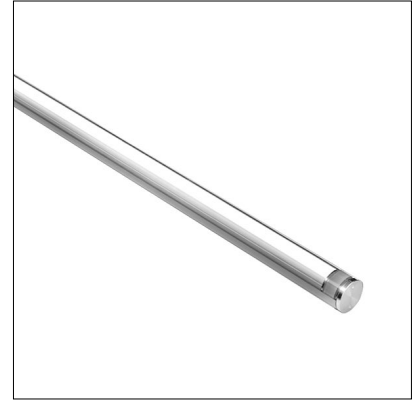


# TREVI 2.2

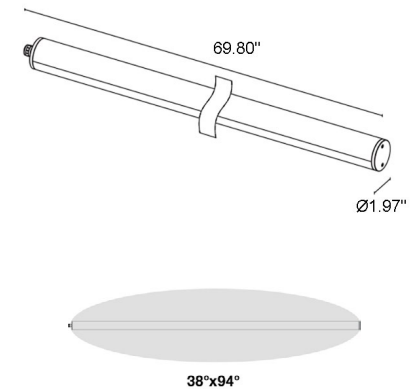
Trevi are a series of linear profiles suitable for outdoor and underwater applications featuring a cylindrical screen, a distinctive characteristic that enables the profile to 'disappear' in the water, leaving just its light to capture the eye. Trevi 2.2 is 69.8" in length and offers static white light with elliptical or diffused optics.



## TECHNICAL DATA

<b>Wattage / Input</b>	63W (24VDC)
<b>Power Supply</b>	Remote, not included. See page 2.
<b>Construction</b>	End Caps: AISI 316L Stainless Steel Heat Sink: Internal Anticorodal Aluminum Lens: Transparent Polycarbonate Cable Length: 16.4 ft
<b>CCT</b>	2200K, 2700K, 3000K, 4000K
<b>CRI</b>	80
<b>BUG Rating</b>	B3-U2-G1 (38°x94°) B2-U2-G1 (Diffuse)
<b>Delivered Lumens</b>	6726 lm (3000K, 38°x94°)
<b>Efficacy</b>	106.8 lm/W (3000K, 38°x94°)
<b>Optics</b>	38°x94°, Diffuse
<b>Finish</b>	Polycarbonate
<b>Fixture Dimensions</b>	Ø1.97" x 69.80"
<b>Fixture Weight</b>	10.58 lbs
<b>LED Source</b>	118 mid-power LEDs
<b>Lumen Maintenance</b>	60,000h L80 B10 (Ta 25°C)
<b>Color Consistency</b>	3-Step MacAdam
<b>Operating Temp.</b>	-4°F - 113°F (installation outdoors) 32°F - 113°F (installation underwater)
<b>IP Rating</b>	IP65, IP68
<b>Impact Rating</b>	IK10
<b>Max Depth</b>	32.81 ft

Fixture Dimensions



## ORDERING INFORMATION

Example: TR22000000N0WP. Accessories / Power Supplies ordered separately.

TR22000000			P
<b>Model No.</b>	<b>CCT</b>	<b>Optics</b>	<b>Finish</b>
TR22000000	N0 - 2200K F0 - 2700K 50 - 3000K 90 - 4000K	W - 38°x49° D - Diffuse	P - Polycarbonate

Job Name/Date:

Fixture Type Designation:

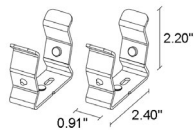
## SUGGESTED POWER SUPPLIES

STATIC WHITE - 24VDC (FOR USE WITH FOUNTAIN / WATER FEATURES)

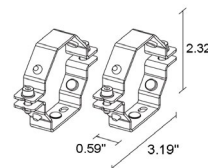
Part Number	Description	Input/Output	# of Fixtures
<a href="#">FPV-100110024</a>	ELV / TRIAC & 0-10V Dimming (100 to 0%)	120-277VAC to 24VDC, 96W, Class 2, NEMA 4	1-1
<a href="#">FPV-100000024</a>	Non-Dim	120-277VAC to 24VDC, 100W, Class 2, NEMA 4	1-1

For other power supply options consult factory.

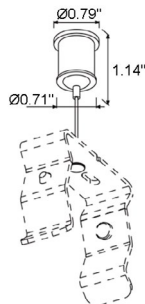
## ACCESSORIES - Installation (REQUIRED)



**WMA04**  
Clips Pair



**WMA05**  
Pair of tamper-resistant clips



**WMA07**  
Suspension Kit

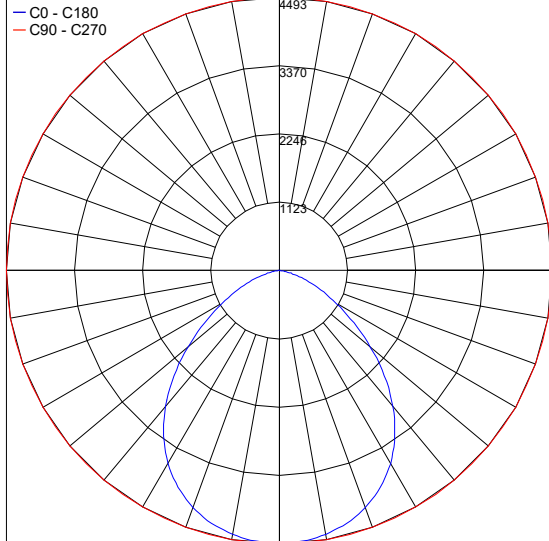
Job Name/Date:

Fixture Type Designation:

## PHOTOMETRIC DATA

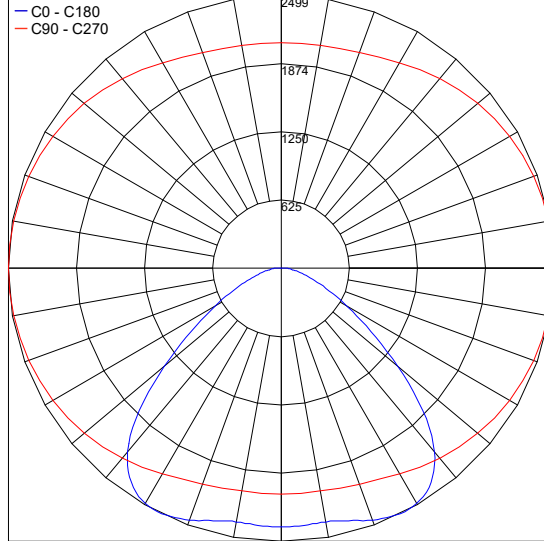
Note all Photometry is 3000K

Maximum Candela = 4492.8



PHOTOMETRIC FILENAME : TREVI\_2.2\_W\_38X94\_3000K\_63W\_24VDC.IES

Maximum Candela = 2499.2



PHOTOMETRIC FILENAME : TREVI\_2.2\_D\_3000K\_63W\_24VDC.IES

Job Name/Date:

Fixture Type Designation: