

BRICK BOLLARD

BRICK is a family of thin, versatile luminaires that are available in single or double wall-mounts or as a bollard. The BRICK bollard is available in 3 sizes with 10W mono light emission, and 4 standard finishes. Dark Sky compliant for output below 80°.



TECHNICAL DATA

Wattage	10W
Power Supply	Integral 120VAC
Construction	Frame: Stainless Steel 430 Fixing Base Housing: 6026 Anticorodal Aluminum Housing Lens: Extra Clear Tempered Glass
CCT	2700K, 3000K, 4000K
BUG Rating	B1-U0-G0 (F60801, F60802 - 3000K) B1-U0-G1 (F60803 - 3000K)
CRI	>80
Delivered Lumens	823 lm (F60801, F60802 - 3000K) 868 lm (F60803 - 3000K) Dark Sky compliant, output below 80°
Efficacy	82.3 lm/W (F60801, F60802 - 3000K) 86.8 lm/W (F60803 - 3000K)
Optics	Mono Emission (F60801, F60802) Transverse Elliptical (F60803 only)
Finishes	Anthracite, Pure White (RAL 9010), ALU Gray (RAL 9006), Dark Brown
Lumen Maintenance	70,000 hrs (Ta 35°C)
Fixture Dimensions	5.51" x 10.35", 25.31", 37.13"
IP Rating	IP65
Impact Resistance	IK08

Fixture Dimensions - See page 2

ORDERING INFORMATION

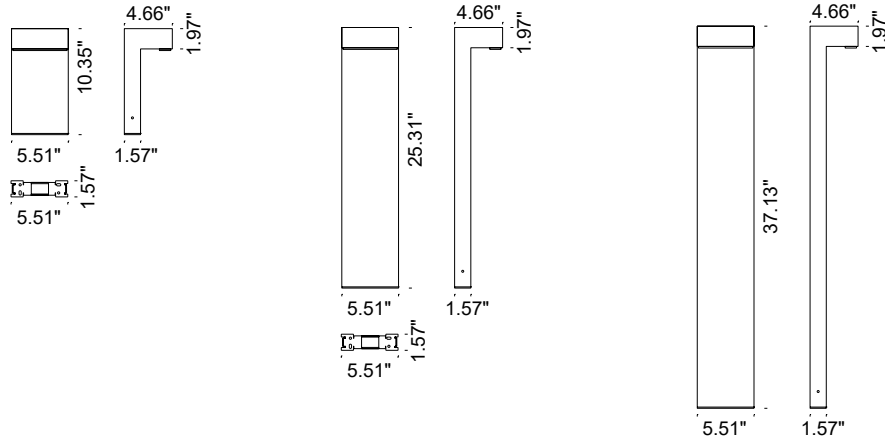
Example: F60801.1.2.64.US. Accessories ordered separately.

				.US
Model No.	Finish	CCT	Optics	
F60801 - 10.35" h	1 - Anthracite	2 - 2700K	64 - Mono Emission	.US
F60802 - 25.31" h	2 - Pure White (RAL 9010)	3 - 3000K		
	4 - ALU Grey (RAL 9006)	4 - 4000K		
	8 - Dark Brown			
F60803 - 37.13" h			65 - Transverse Elliptical	
			<i>NOTE: only available on F60803 (37.1" version)</i>	

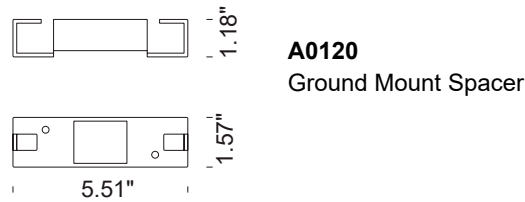
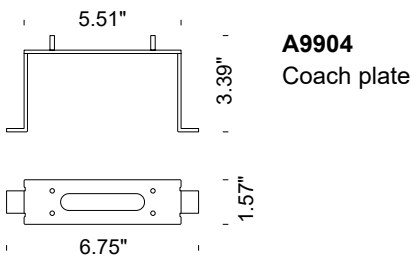
Job Name/Date:

Fixture Type Designation:

FIXTURE DIMENSIONS

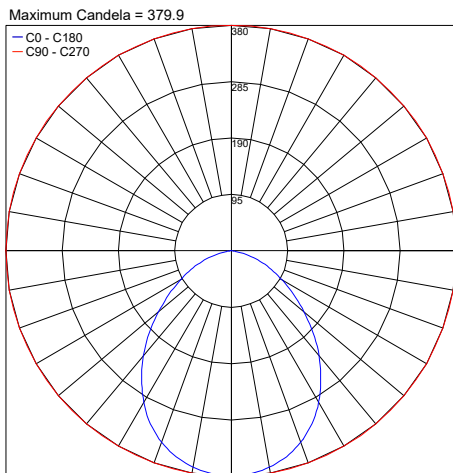


ACCESSORIES

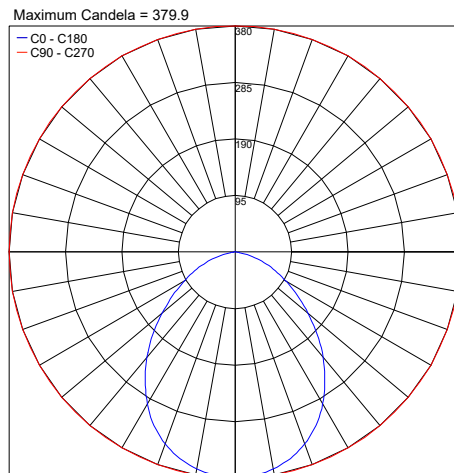


PHOTOMETRIC DATA

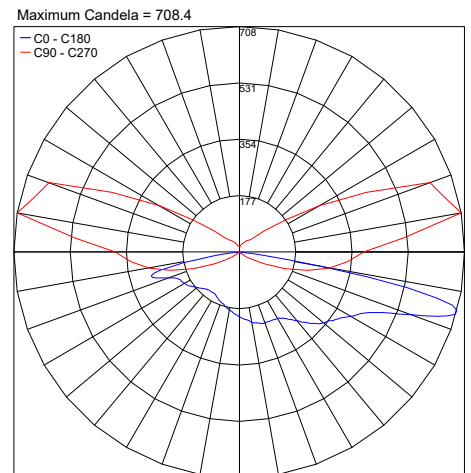
Note all Photometry is 3000K



PHOTOMETRIC FILENAME : BRICK BOLLARD 10.4IN 30K - 60801.X.3.64.IES



PHOTOMETRIC FILENAME : BRICK BOLLARD 25.3IN 30K - 60802.X.3.64.IES



PHOTOMETRIC FILENAME : BRICK BOLLARD 37.1IN 30K - 60803.X.3.65.IES

Job Name/Date:

Fixture Type Designation: