

EASY LINE - Frost LLRGB1

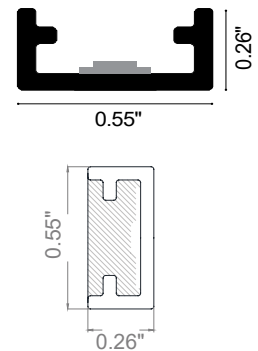
EASY LINE is a vertical, bendable LED strip that is IP65-IP68 rated ideal for fountains or swimming pools for panel installation in reinforced concrete with tiles or pool liner. It is available in Transparent, Frost, Clear or Total Light with static white, tunable white or RGB, and guarantees protection against UV rays and the corrosive action of salt and sodium hypochlorite. EASY LINE Frost has opal resin with a white outercasing. **Not cuttable in the field.**



TECHNICAL DATA

Wattage	15W / 3.28 ft (1 m)
Power Supply	Remote Fountain/Pool Approved 24VDC Power Supply, not included. See page 2.
Construction	Body: Opal Polyurethane Resin Outercase: White PVC
CCT	RGB (60 LED / 3.28')
CRI	80
Delivered Lumens	250 lm / 3.28' (1 m)
Efficacy	16.7 lm/W
Optics	120°
Fixture Dimensions	0.55" w x 0.26" h x Various Lengths
Bend Radius	2.36"
LED Source	SMD 5050
LED Spacing	60 LED per 3.28 ft (1 m), 0.63" between LEDs
Lumen Maintenance	L80, B10>50,000 hrs
Color Consistency	2-3-Step MacAdam
Operating Temp.	-22°F to 131°F
IP Rating	IP65 / IP68

Fixture Dimensions



NOT CUTTABLE IN THE FIELD

MUST USE SUITABLE APPROVED FOUNTAIN & SWIMMING POOL POWER SUPPLY WHICH IS REMOTELY MOUNTED

ORDERING INFORMATION

Example: LLRGB1E-24.68.FX.US. Power Supplies / Accessories ordered separately.

LLRGB1E	-	24	.		.	F	.	X	.	US
Model No.		Power		IP Rating				Cable Exit		
LLRGB1E - 60 LED / 3.28' (1 m)		24 - 24VDC		65 - IP65 68 - IP68		F - Frost		X - End Feed		US
<div style="border: 1px solid red; padding: 5px; margin: 5px 0;"> <p>NOTE: Available in lengths up to 75 feet. Please specify length when ordering.</p> </div>										

Job Name/Date:

Fixture Type Designation:

SUGGESTED POWER SUPPLIES

24VDC - **TO BE USED WITH FOUNTAIN / SWIMMING POOLS**

Part Number	Description	Input/Output	# of Fixtures
FPV-100EL0024	DMX/RDM(Field Addressable)/Dali, 4 Channels	120-277VAC to 24VDC, 100W, Class 2, IP66, NEMA 4X	1-5

SUGGESTED POWER SUPPLIES

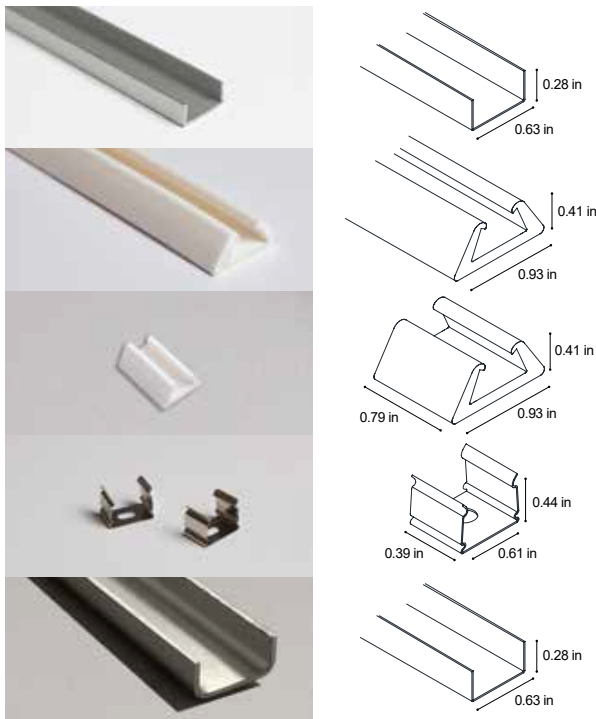
24VDC - **TO BE USE FOR INDOOR/OUTDOOR USE - NOT** Fountain / Swimming Pool

Part Number	Description	Input/Output	# of Fixtures
PPLT00288-P24	DMX/RDM(Field Addressable)/Dali, 4 Channels	120-277VAC to 24VDC, 100W, Class 2, DRY	1-5

For other power supply options consult factory.

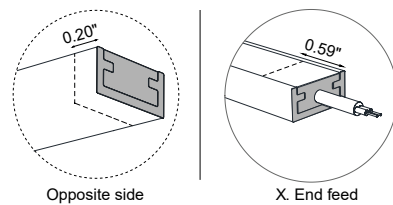
ACCESSORIES

Installation / Mounting for 0.55x0.26 inch



Code	Finishing	Description
PRO-AL-14x6.5-AL	Aluminum	Rigid guide L max 9.84 ft
OUT-S-14x6.5.W	White	Silicone profile
CLIP-S-14x6.5.W	White	Silicone clip
CLIP-AC-14x6.5-AC	AISI 304 harmonic steel	Steel clip
PRO-AC-14x6.5-AC	AISI 316 harmonic steel	Rigid guide L max 8.20 ft

POWER CABLE EXIT / AREA WITH REDUCED LIGHT



Job Name/Date:

Fixture Type Designation: