

# HYDROFLOOR NANO HP

Hydrofloor Nano Linear HP is a recessed in-grade linear profile suitable for outdoor installation. It is available in the standard version with trim (209001P) or trimless (209004P) with 3 wattages, 3 color temperatures, 3 optics options and a stainless steel finish. Driveover rated to 6614 lbs.



With Trim (209001P)



Trimless (209004P)

Fixture Dimensions - see page 2

## TECHNICAL DATA

<b>Wattage / Input</b>	3W (350mA), 4.5W (500mA), 6W (700mA)
<b>Power Supply</b>	Remote, not included. See page 2.
<b>Construction</b>	Body: Hard Anodized Aluminum Trim: Stainless steel AISI 316L Lens: Tempered, Safety Glass Cable Length: 3.28'
<b>CCT</b>	2700K, 3000K, 4000K
<b>Lumen Output</b>	293 lm (3W, 32°, 3000K) 373 lm (4.5W, 32°, 3000K) 522 lm (6W, 32°, 3000K)
<b>Efficacy</b>	97.80 lm/W (3W, 32°, 3000K) 82.8 lm/W (4.5W, 32°, 3000K) 87.2 lm/W (6W, 32°, 3000K)
<b>Optics</b>	8°, 32°, 45°
<b>Finishes</b>	Stainless Steel
<b>Fixture Dimensions</b>	4.02" x 1.50" x 1.32" h (209001P - with trim) 3.70" x 1.22" x 1.26" h (209004P - trimless)
<b>Fixture Weight</b>	1.10 lbs
<b>LED Source</b>	3 x CREE XP-G2 LED
<b>IP Rating</b>	IP68
<b>IK Rating</b>	IK08
<b>Driveover Rating</b>	Up to 6614 lbs

## ORDERING INFORMATION

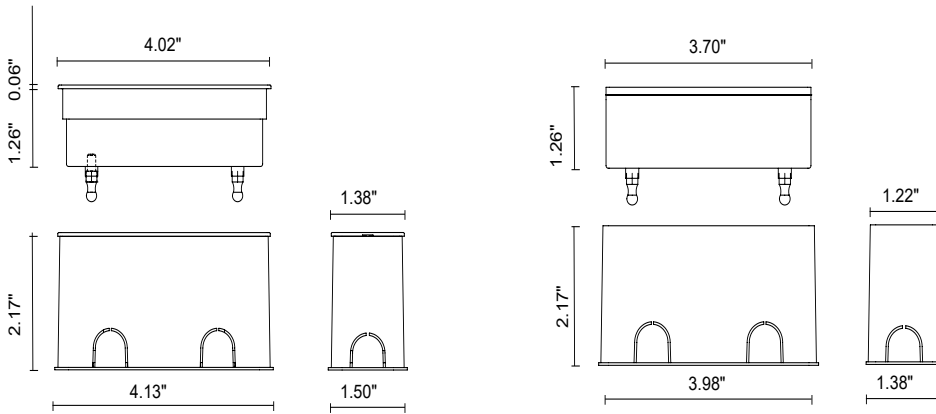
Example: 209001P.6.27.8.SS. Accessories / Power Supplies ordered separately.

				SS
<b>Model No.</b>	<b>Wattage</b>	<b>CCT</b>	<b>Optic</b>	<b>Finish</b>
209001P - HP with Trim	3 - 3W	27 - 2700K	8 - 8°	SS - Stainless Steel
209004P - HP Trimless	4 - 4.5W	30 - 3000K	32 - 32°	
	6 - 6W	40 - 4000K	45 - 45°	

Job Name/Date:

Fixture Type Designation:

## FIXTURE DIMENSIONS



WITH TRIM (209001P)

TRIMLESS (209004P)

## SUGGESTED POWER SUPPLIES

350mA

Part Number	Description	Input/Output	# of Fixtures
<a href="#">PPLT00138</a>	Non Dim	120-277VAC to 350mA, 4W, Class 2	1-1
<a href="#">PPLT00466-P</a>	0-10V Dimming to 1.0%	120-277VAC to 350mA, 10W, Class 2, DAMP	1-3
<a href="#">PPLT00468</a>	Phase Dim (120V only)	120VAC to 350mA, 14W, Class 2	2-4
<a href="#">PPLT00308-P</a>	0-10V Dimming to 0.1%	120-277VAC to 350mA, 30W, Class 2, DAMP	1-6
<a href="#">PPLT00263</a>	Leading / Trailing Edge Dimming to 10% (120V only)	120-277VAC to 350mA, 32W, Class 2	3-5
<a href="#">PPLT00538-P</a>	0-10V Dimming to 0.1% (4 channels)	120-277VAC to 350mA, 100W, Class 2	1-24

## Suggested Lutron Compatible - 350mA

Part Number	Option	Lutron SKU	Dim Range	Description	Input/Output	# of Fixtures
<a href="#">PPLT00247</a>	L3DAE / L3DA3W	L3DA	100%-1%	Hi-Lume™ 1% EcoSystem™ or 1% 3-Wire LED Driver	120-277VAC to 350mA, 7W, Class 2	1-2
<a href="#">PPLT00516</a>	L3DAE / L3DA3W	L3DA	100%-1%	Hi-Lume™ 1% EcoSystem™ or 1% 3-Wire LED Driver	120-277VAC to 350mA, 13W, Class 2	2-4
<a href="#">PPLT00179</a>	L3DAE / L3DA3W	L3DA	100%-1%	Hi-Lume™ 1% EcoSystem™ or 1% 3-Wire LED Driver	120-277VAC to 350mA, 19W, Class 2	4-5

More power supply options on page 3 (500mA and 700mA)

Job Name/Date:

Fixture Type Designation:

## SUGGESTED POWER SUPPLIES

500mA

Part Number	Description	Input/Output	# of Fixtures
<a href="#">PPLT00466-P</a>	0-10V Dimming to 1.0%	120-277VAC to 500mA, 10W, Class 2, DAMP	1-2
<a href="#">PPLT00469</a>	Phase Dim (120V only)	120VAC to 500mA, 14W, Class 2	2-3
<a href="#">PPLT00308-P</a>	0-10V Dimming to 0.1%	120-277VAC to 500mA, 30W, Class 2, DAMP	1-6
<a href="#">PPLT00262</a>	Leading / Trailing Edge Dimming to 10% (120V only)	120-277VAC to 500mA, 32W, Class 2	3-5
<a href="#">PPLT00538-P</a>	0-10V Dimming to 0.1% (4 channels)	120-277VAC to 500mA, 100W, Class 2	1-20

Suggested Lutron Compatible - 500mA

Part Number	Option	Lutron SKU	Dim Range	Description	Input/Output	# of Fixtures
<a href="#">PPLT00259</a>	L3DAE / L3DA3W	L3DA	100%-1%	Hi-Lume™ 1% EcoSystem™ or 1% 3-Wire LED Driver	120-277VAC to 500mA, 10W, Class 2	1-2
<a href="#">PPLT00195</a>	L3DAE / L3DA3W	L3DA	100%-1%	Hi-Lume™ 1% EcoSystem™ or 1% 3-Wire LED Driver	120-277VAC to 500mA, 19W, Class 2	2-4
<a href="#">PPLT00676</a>	PEQE	PEQ0	100%-0.1%	Hi-Lume™ Premier 0.1% EcoSystem™ Fade to Black	120-277VAC to 500mA, 20W, Class 2	2-4
<a href="#">PPLT00180</a>	L3DAE / L3DA3W	L3DA	100%-1%	Hi-Lume™ 1% EcoSystem™ or 1% 3-Wire LED Driver	120-277VAC to 500mA, 27W, Class 2	4-5

## SUGGESTED POWER SUPPLIES

700mA

Part Number	Description	Input/Output	# of Fixtures
<a href="#">PPLT00466-P</a>	0-10V Dimming to 1.0%	120-277VAC to 700mA, 10W, Class 2, DAMP	1-1
<a href="#">PPLT00470</a>	Phase Dim (120V only)	120VAC to 700mA, 14W, Class 2	1-2
<a href="#">PPLT00663</a>	ELV / TRIAC & 0-10V Dimming	120-277VAC to 700mA, 30W, Class 2	3-4
<a href="#">PPLT00261</a>	Leading / Trailing Edge Dimming to 10% (120V only)	120-277VAC to 700mA, 32W, Class 2	3-5
<a href="#">PPLT00467-P</a>	0-10V Dimming to 1.0%	120-277VAC to 700mA, 50W, Class 2, DAMP	1-6
<a href="#">PPLT00538-P</a>	0-10V Dimming to 0.1% (4 channels)	120-277VAC to 700mA, 100W, Class 2	1-16

Suggested Lutron Compatible - 700mA

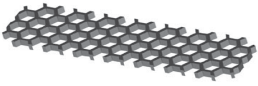
Part Number	Option	Lutron SKU	Dim Range	Description	Input/Output	# of Fixtures
<a href="#">PPLT00515</a>	L3DAE / L3DA3W	L3DA	100%-1%	Hi-Lume™ 1% EcoSystem™ or 1% 3-Wire LED Driver	120-277VAC to 700mA, 14W, Class 2	1-2
<a href="#">PPLT00579</a>	LDEE	LDE1	100%-1%	Hi-Lume™ 1% EcoSystem™ Fade to Black	120-277VAC to 700mA, 16W, Class 2	2-2
<a href="#">PPLT00635</a>	PEQE	PEQ0	100%-0.1%	Hi-Lume™ Premier 0.1% EcoSystem™ Fade to Black	120-277VAC to 700mA, 20W, Class 2	2-3
<a href="#">PPLT00673</a>	PEQE	PEQ0	100%-0.1%	Hi-Lume™ Premier 0.1% EcoSystem™ Fade to Black	120-277VAC to 700mA, 20W, Class 2	2-3
<a href="#">PPLT00517</a>	L3DAE / L3DA3W	L3DA	100%-1%	Hi-Lume™ 1% EcoSystem™ or 1% 3-Wire LED Driver	120-277VAC to 700mA, 27W, Class 2	2-4
<a href="#">PPLT00181</a>	L3DAE / L3DA3W	L3DA	100%-1%	Hi-Lume™ 1% EcoSystem™ or 1% 3-Wire LED Driver	120-277VAC to 700mA, 38W, Class 2	4-5

For other power supply options consult factory.

Job Name/Date:

Fixture Type Designation:

## ACCESSORIES



**AC125**  
Honeycomb  
Louver

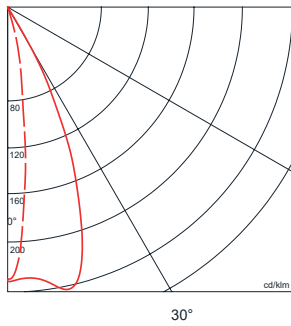


### Backbox included

209001P

209004P

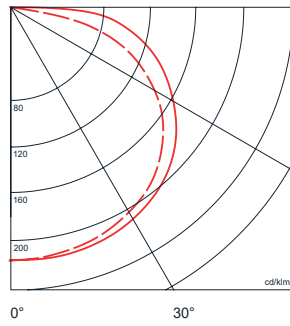
## PHOTOMETRIC DATA



90° 60x10°

60°

30°



90° 120°

60°

0°

30°

Job Name/Date:

Fixture Type Designation: