

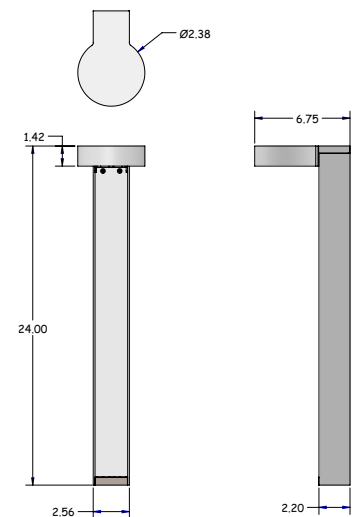
Kahlo is an LED bollard with a Ø2.4" round head suitable for outdoor installation. It is offered in 2 heights – 2-foot or 3-foot – with 3 static white color temperatures, 3 optics options, and 5 standard finishes. Dark Sky compliant for output below 80°.



TECHNICAL DATA

Wattage	20W
Power Supply	Integral 120VAC
Dimming	0-10V Dimming
Construction	Body: Aluminum Lens: Clear
CCT	2700K, 3000K, 4000K
BUG Rating	B1-U0-G0 (3000K - All Optics)
CRI	>90
Delivered Lumens	1428 lm (24°, 3000K) 1356 lm (36°, 3000K) 1565 lm (Asym, 3000K) Dark Sky compliant, output below 80°
Efficacy	71.4 lm/W (24°, 3000K) 67.8 lm/W (36°, 3000K) 78.3 lm/W (Asym, 3000K)
Optics	24°, 36°, Asymmetric
Finishes	5 Standard, Custom RAL on request
Fixture Dimensions	Pole: 2.56" l x 2.20" w x 24.00" or 36.00" h Head: Ø2.38" x 1.42" h
IP Rating	IP65

Fixture Dimensions



ORDERING INFORMATION

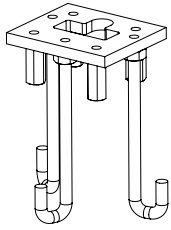
Example: KAH-L-1-30-01-11-C-0. Accessories ordered separately.

KAH-L	-		-		-		-	C	-	0
Model No.	Height	CCT	Optics	Finish	Dimming	Options				
KAH-L	1 - 24" (2 ft) 2 - 36" (3 ft)	27 - 2700K 30 - 3000K 40 - 4000K	01 - 24° 02 - 36° 03 - Asymmetric	11 - White Suede 02 - Black Suede 03 - Gray 18 - Textured Bronze TS - Silver C - Custom	C - Integral 120VAC 0-10V Dimming	0 - None				

Job Name/Date:

Fixture Type Designation:

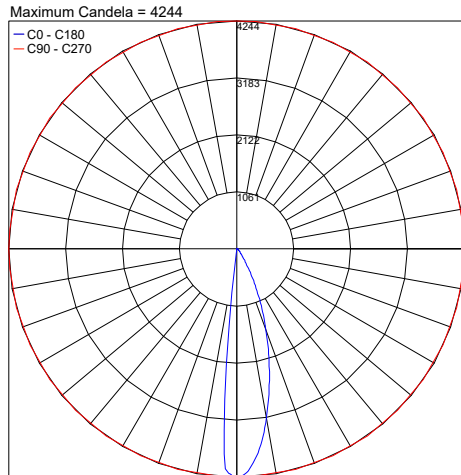
ACCESSORIES - Installation



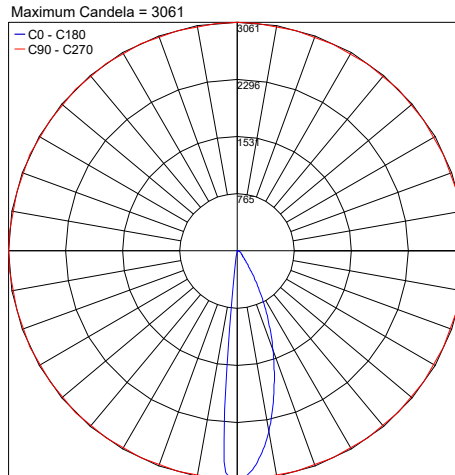
AM-0008
Mounting Base
Assembly

PHOTOMETRICS

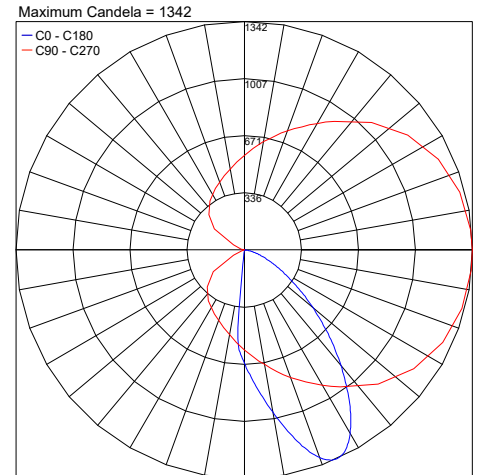
Note: All photometry is 3000K



PHOTOMETRIC FILENAME : KLIMPT-KAHLO BOLLARD 24FT 30K 24°.IES



PHOTOMETRIC FILENAME : KLIMPT-KAHLO BOLLARD 24FT 30K 36°.IES



PHOTOMETRIC FILENAME : KLIMPT-KAHLO BOLLARD 24FT 30K ASYM .IES

Job Name/Date:

Fixture Type Designation: