

# SLIM POLE

SLIM is a family of surface mounted, LED luminaires that have a clean, minimalistic look with high power and a completely concealed fixing system allowing for easy installation. Perfect for residential, public spaces, urban street lighting or museums, it comes as a wall mount, floodlight or pole mounted. SLIM POLE is a pole mounted version that comes in a single or double versions with street or bicycle lane optics and ALU Gray as a standard finish. Dark Sky compliant for output below 80°.



Fixture Dimensions - see page 2

For Poles - see page 3

## TECHNICAL DATA

<b>Wattage / Input</b>	46W (Single), 90W (Double)
<b>Power Supply</b>	Integral 120VAC
<b>Construction</b>	Frame: Stainless Steel Bracket 430 Housing: Die Cast ENAB46100 Aluminum Lens: Extra Clear Tempered Glass
<b>CCT</b>	3000K, 4000K
<b>BUG Rating</b>	B2-U1-G2 (Single - 3000K) B3-U1-G3 (Double - 3000K)
<b>CRI</b>	>80
<b>Delivered Lumens</b>	5480 lm (Single - 3000K) 11,418 lm (Double - 3000K) Dark Sky compliant, output below 80°
<b>Efficacy</b>	119.1 lm/W (Single - 3000K) 126.9 lm/W (Double - 3000K)
<b>Optics</b>	Street, Bicycle Lanes
<b>Finishes</b>	ALU Gray (RAL 9006)
<b>Lumen Maintenance</b>	L90, 90,000 hrs (Ta 35°C)
<b>Fixture Dimensions</b>	Single Light Head: 10.20" l x 8.66" w Single Head and Pole: 14.49" x 8.66"
<b>Aperture Dimensions</b>	6.57" x 7.60"
<b>IP Rating</b>	IP66
<b>Impact Resistance</b>	IK08

## ORDERING INFORMATION

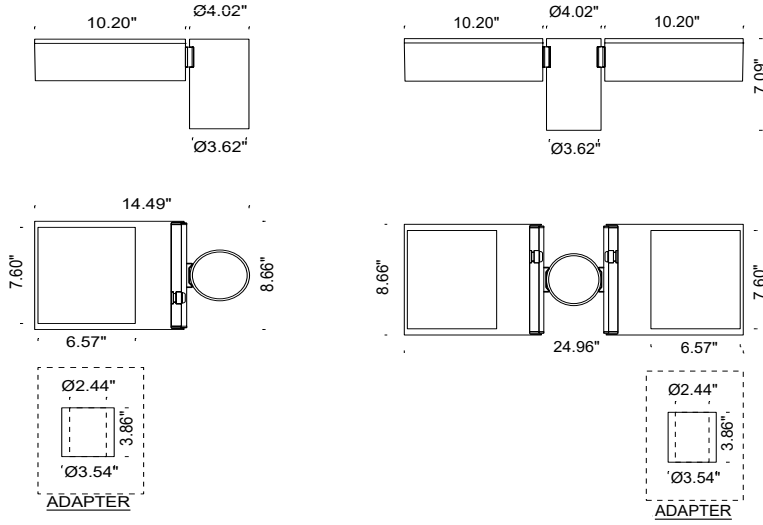
Example: F40910.4.3.08.US.

	4			.US
Model No.	Finish	CCT	Optics	
F70910 - Single	4 - ALU Gray (RAL 9006)	3 - 3000K	08 - Street	.US
F70911 - Double		4 - 4000K	09 - Bicycle Lanes	

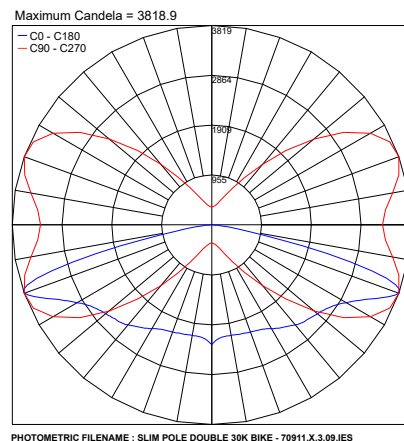
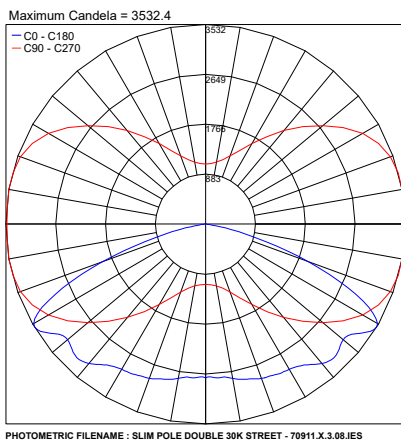
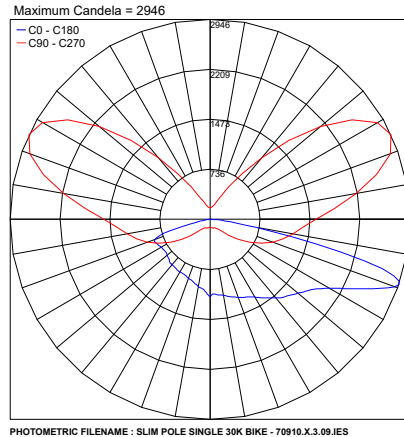
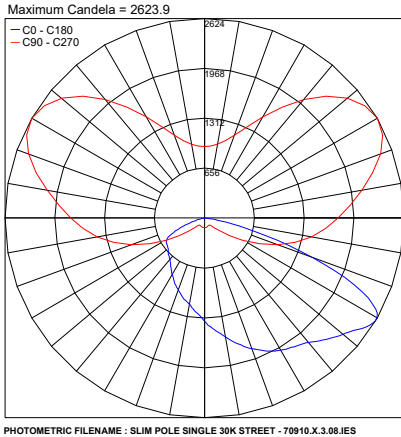
Job Name/Date:

Fixture Type Designation:

## FIXTURE DIMENSIONS



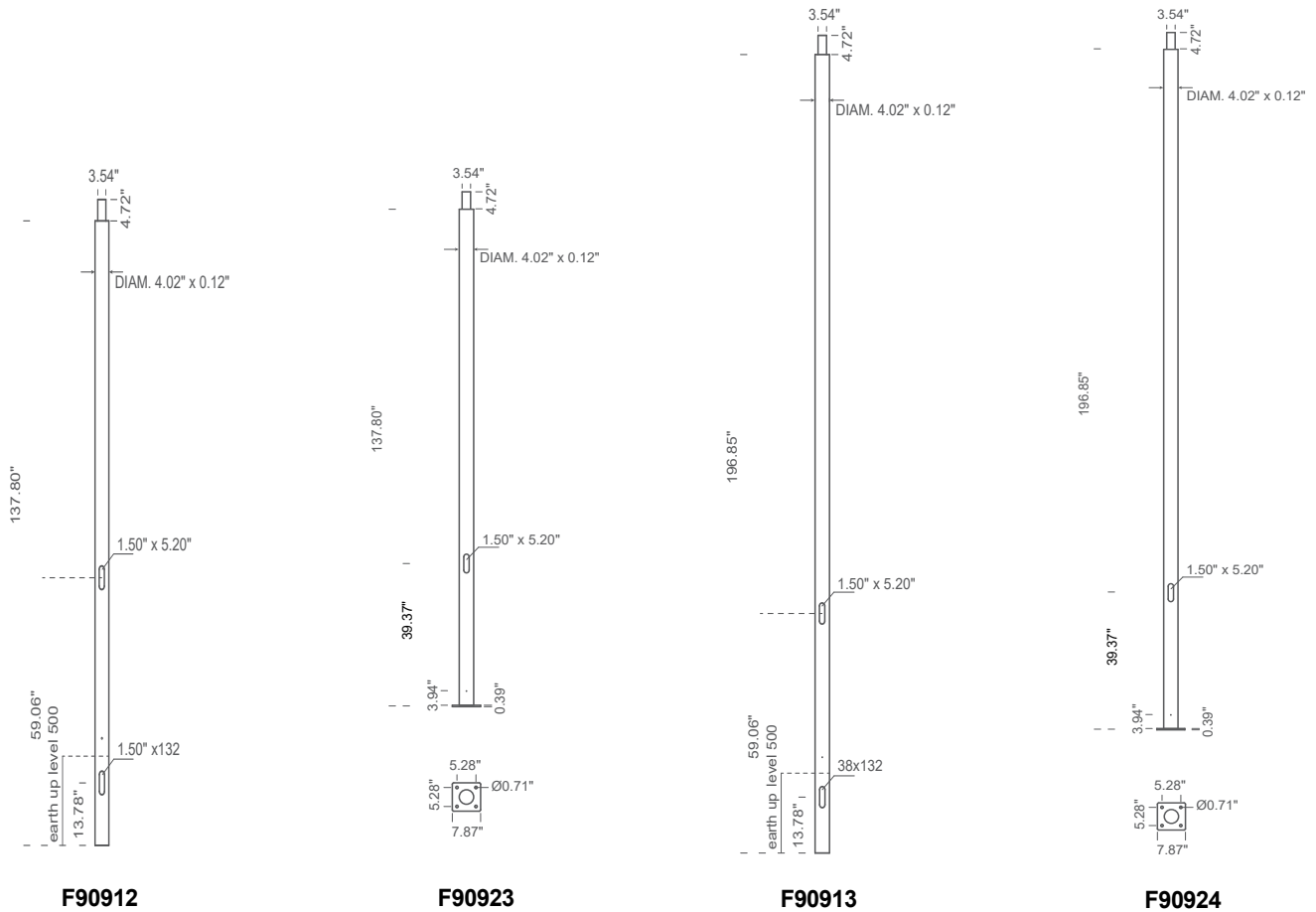
## PHOTOMETRIC DATA - Note all Photometry is 3000K



Job Name/Date:

Fixture Type Designation:

## SLIM POLES



Model No.	Total Height	Overground Height	External Diameter	Fixing Style	Inspection Port	Terminal Block
<b>F90912</b>	137.80"	124.41"	4.02"	By Base (0.16" x Ø0.71")	YES	YES
<b>F90923</b>	137.80"	124.41"	4.02"	To be buried 19.69" deep	YES	YES
<b>F90913</b>	196.85"	183.46"	4.02"	By Base (0.16" x Ø0.71")	YES	YES
<b>F90924</b>	196.85"	183.46"	4.02"	To be buried 19.69" deep	YES	YES

Job Name/Date:

Fixture Type Designation: