

SLIM POLE

SLIM is a family of surface mounted, LED luminaires that have a clean, minimalistic look with high power and a completely concealed fixing system allowing for easy installation. Perfect for residential, public spaces, urban street lighting or museums, it comes as a wall mount, floodlight or pole mounted. SLIM POLE is a pole mounted version that comes in a single or double versions with street or bicycle lane optics and ALU Gray as a standard finish.



Fixture Dimensions - see page 2

For Poles - see page 3

TECHNICAL DATA

| | |
|----------------------------|--|
| Wattage / Input | 46W (Single), 90W (Double) |
| Power Supply | Integral 120VAC |
| Construction | Frame: Stainless Steel Bracket 430 Housing: Die Cast ENAB46100 Aluminum Lens: Extra Clear Tempered Glass |
| CCT | 3000K, 4000K |
| BUG Rating | B2-U1-G2 (Single - 3000K) B3-U1-G3 (Double - 3000K) |
| CRI | >80 |
| Delivered Lumens | 5480 lm (Single - 3000K) 11,418 lm (Double - 3000K) |
| Efficacy | 119.1 lm/W (Single - 3000K) 126.9 lm/W (Double - 3000K) |
| Optics | Street, Bicycle Lanes |
| Finishes | ALU Gray (RAL 9006) |
| Lumen Maintenance | L90, 90,000 hrs (Ta 35°C) |
| Fixture Dimensions | Single Light Head: 10.20" l x 8.66" w Single Head and Pole: 14.49" x 8.66" |
| Aperture Dimensions | 6.57" x 7.60" |
| IP Rating | IP66 |
| Impact Resistance | IK08 |

ORDERING INFORMATION

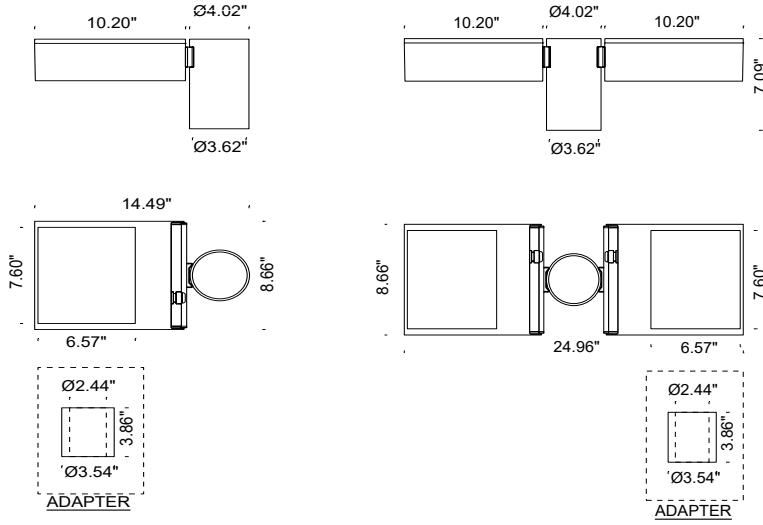
Example: F40910.4.3.08.US.

| | | | | |
|------------------|-------------------------|------------|--------------------|-----|
| | 4 | | | .US |
| Model No. | Finish | CCT | Optics | |
| F70910 - Single | 4 - ALU Gray (RAL 9006) | 3 - 3000K | 08 - Street | .US |
| F70911 - Double | | 4 - 4000K | 09 - Bicycle Lanes | |

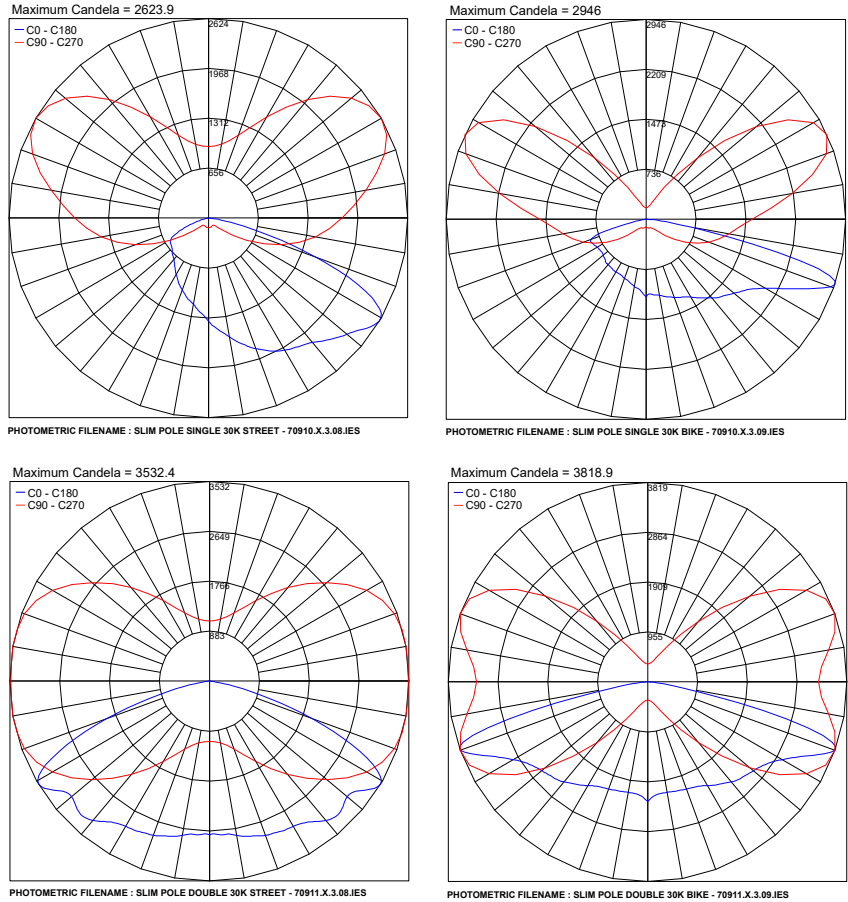
Job Name/Date:

Fixture Type Designation:

FIXTURE DIMENSIONS



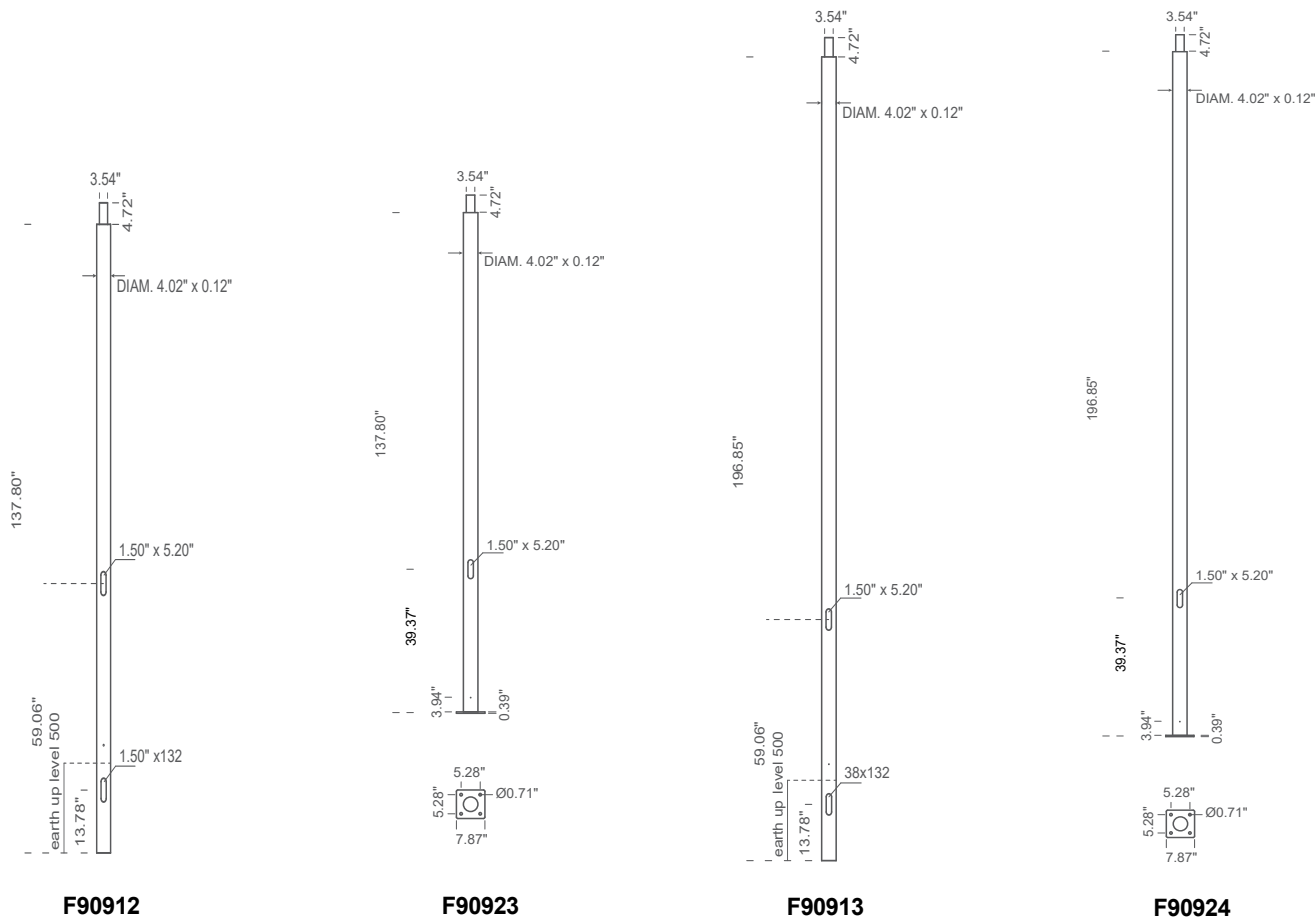
PHOTOMETRIC DATA - Note all Photometry is 3000K



Job Name/Date:

Fixture Type Designation:

SLIM POLES



| Model No. | Total Height | Overground Height | External Diameter | Fixing Style | Inspection Port | Terminal Block |
|---------------|--------------|-------------------|-------------------|--------------------------|-----------------|----------------|
| F90912 | 137.80" | 124.41" | 4.02" | By Base (0.16" x Ø0.71") | YES | YES |
| F90923 | 137.80" | 124.41" | 4.02" | To be buried 19.69" deep | YES | YES |
| F90913 | 196.85" | 183.46" | 4.02" | By Base (0.16" x Ø0.71") | YES | YES |
| F90924 | 196.85" | 183.46" | 4.02" | To be buried 19.69" deep | YES | YES |

Job Name/Date:

Fixture Type Designation: