

TREVI S 1.1

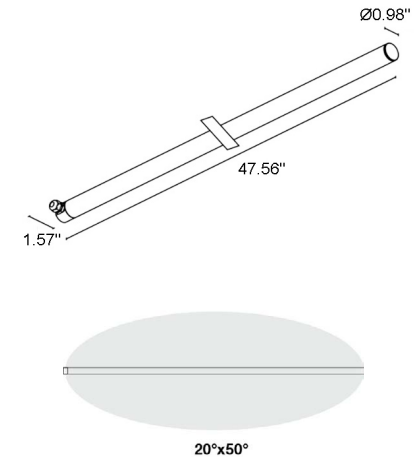
Trevi S is a suspended version of the distinctive Trevi linear profile that is a simple and elegant lighting solution with a wide range of optics suitable for outdoor applications, such as the terraces of hotels and restaurants or indoor applications, such as reception areas. Trevi S 1.1 is the 47.6" length version offering static white or RGB light with 4 optic options.



TECHNICAL DATA

Wattage / Input	14W (Optics version), 21W (Diffuse version), 24W (RGB version) (24VDC)
Power Supply	Remote, not included. See page 2.
Construction	End Caps: AISI 316L Stainless Steel Lens: Opal (diffuse) or Transparent (optics) Polycarbonate Cable Length: 16.4 ft
CCT	2700K, 3000K, 4000K, RGB
CRI	80
BUG Rating	B0-U1-G0 (RGB) B1-U1-G0 (Optics including diffuse)
Delivered Lumens	1008 lm (3000K, 40°), 1138 lm (3000K, Diffuse), RGB: 786 lm (Diffuse) (R) 175 lm (G) 502 lm (B) 109 lm
Efficacy	72 lm/W (3000K, 40°), 54.2 lm/W (3000K, Diffuse), RGB: 32.8 lm/W: (R) 7.3 lm (G) 20.9 lm/W (B) 4.5 lm/W
Optics	40°, 65°, 20°x50°, Diffuse
Finish	Stainless Steel
Fixture Dimensions	Ø0.98" x 47.56" l
Fixture Weight	1.76 lbs
LED Source	Optics Version: 12 power LEDs - LED spacing 3.94" Diffuse Version: 162 mid-power LEDs RGB version: 90 low power full color LEDs
Lumen Maintenance	50,000h L90 B10 (Ta 25°C)
Color Consistency	1/4 ANSI BIN (Optics), 3-step MacAdam (Diffuse)
Operating Temp.	-4°F - 113°C
IP Rating	IP68
Impact Rating	IK10

Fixture Dimensions



ORDERING INFORMATION

Example: TR1100FDA+WMA07+WM0501. Accessories / Power Supplies ordered separately.

TR1100			A	+	WMA07	+	
Model #	CCT	Optics	Finish		Suspension Kit		Clip
TR1100	F - 2700K 5 - 3000K 9 - 4000K 6 - RGB (Diffuse Only)	M - 40 L - 65 W - 20°x50° D - Diffuse	A - Stainless Steel		WMA07 - Susp. Kit		WM0501 - Clip Pair WM0502 - Pair of tamper-resistant Clips

Job Name/Date:

Fixture Type Designation:

SUGGESTED POWER SUPPLIES

24VDC - 14W Optics or 21W Diffuse Version

Part Number	Description	Input/Output	# of Fixtures	
			14W / 21W (Diffuse)	
PPLT00680	ELV / TRIAC & 0-10V Dimming (100 to 0%)	120-277VAC to 24VDC, 20W, Class 2, IP66	1-1	—
PPLT00586	Non-Dim	120VAC to 24VDC, 40W, Class 2	1-2	1-1
PPLT00691	Non-Dim	120-277VAC to 24VDC, 100W, Class 2, IP67	1-3	1-2
PPLT00543	0-10V Dimming to 15% (-40°C / -40°F cold weather start)	120-277VAC to 24VDC, 60W, Class 2	1-5	1-3

Suggested Lutron Compatible - - 14W Optics or 21W Diffuse Version

Part Number	Option	Lutron SKU	Dim Range	Description	Input/Output	# of Fixtures	
PPLT00273	L3DAE / L3DA3W	L3DA	100%-1%	Hi-Lume™ 1% EcoSystem™ or 1% 3-Wire LED Driver	120-277VAC to 24VDC, 40W, Class 2	1-1	1-1
PPLT00530	L3DAE / L3D0	L3DA/L3D0	100%-1%	Hi-Lume™ 0.1% EcoSystem™ or 3-Wire LED Driver	120-277VAC to 24VDC, 96W, Class 2	1-3	1-3

RGB 24W - 24VDC

Part Number	Description	Input/Output	# of Fixtures
PPLT00288-P24	DMX / RDM (Field Addressable) / DALI	120-277VAC to 24VDC, 100W, Class 2, Dry	1 - 3

For other power supply options consult factory.

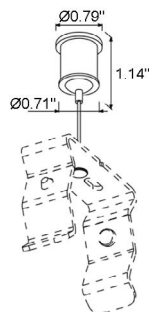
ACCESSORIES - Installation (REQUIRED)



WM0501
Clips Pair



WM0502
Pair of temper-resistant cllips



WMA07
Suspension Kit

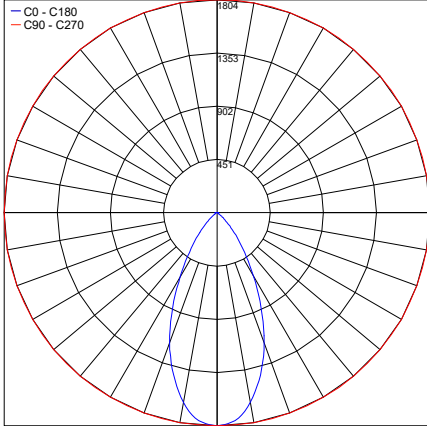
Job Name/Date:

Fixture Type Designation:

PHOTOMETRIC DATA

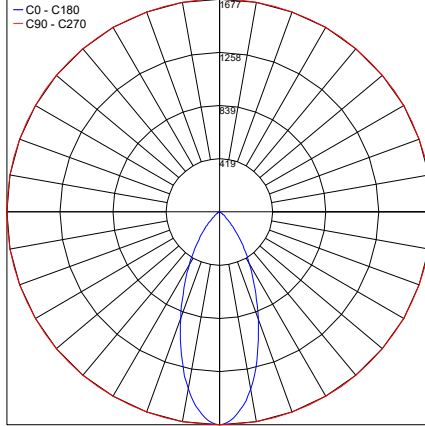
Note all Photometry is 3000K or RGB

Maximum Candela = 1804.2



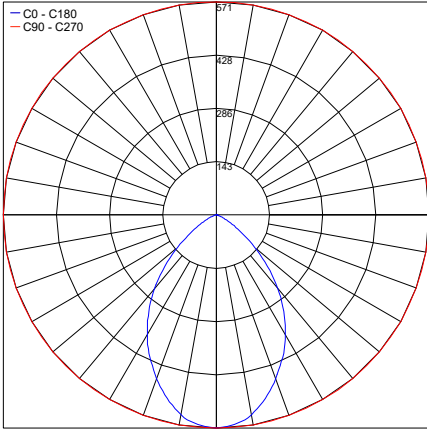
PHOTOMETRIC FILENAME : TREVI 1.1 W 20°x50° [3000K 14W 24VDC].IES

Maximum Candela = 1677.1



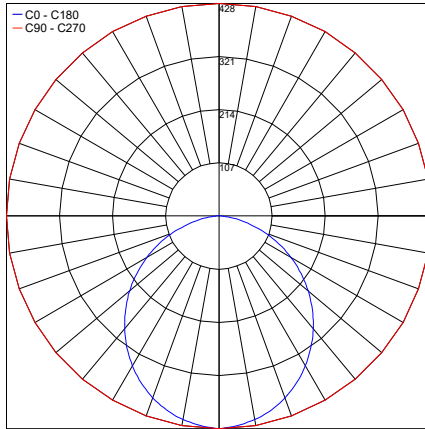
PHOTOMETRIC FILENAME : TREVI 1.1 M 40° [3000K 14W 24VDC].IES

Maximum Candela = 571.1



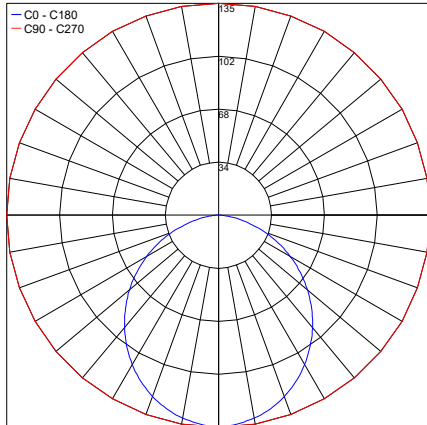
PHOTOMETRIC FILENAME : TREVI 1.1 L 65° [3000K 14W 24VDC].IES

Maximum Candela = 427.8



PHOTOMETRIC FILENAME : TREVI 1.1 D [3000K 21W 24VDC].IES

Maximum Candela = 135.3



PHOTOMETRIC FILENAME : TREVI 1.1 D [RGB 24W 24VDC].IES

Job Name/Date:

Fixture Type Designation: