

TREVI S 2.1

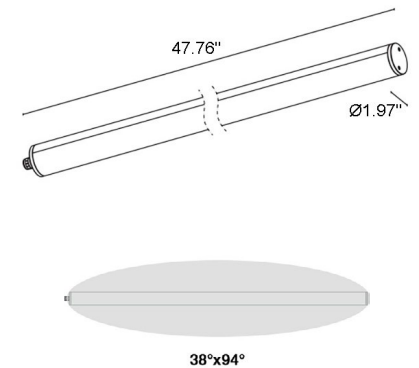
Trevi S is a suspended version of the distinctive Trevi linear profile that is a simple and elegant lighting solution with a wide range of optics suitable for outdoor applications, such as the terraces of hotels and restaurants or indoor applications, such as reception areas. Trevi S 2.1 is the 47.8" length version offering static white with diffuse or elliptical optics.



TECHNICAL DATA

Wattage / Input	42W (24VDC)
Power Supply	Remote, not included. See page 2.
Construction	End Caps: AISI 316L Stainless Steel Heat Sink: Internal Anticorodal Aluminum Lens: Transparent Polycarbonate Cable Length: 16.4 ft
CCT	2200K, 2700K, 3000K, 4000K
CRI	80
BUG Rating	B2-U1-G1 (38°x94°) B2-U2-G1 (Diffuse)
Delivered Lumens	4484 lm (3000K, 38°x94°)
Efficacy	106.8 lm/W (3000K, 38°x94°)
Optics	38°x94°, Diffuse
Finish	Polycarbonate
Fixture Dimensions	Ø1.97" x 47.76" l
Fixture Weight	6.83 lbs
LED Source	112 mid-power LEDs
Lumen Maintenance	60,000h L80 B10 (Ta 25°C)
Color Consistency	3-Step MacAdam
Operating Temp.	-4°F - 113°F
IP Rating	IP65, IP68
Impact Rating	IK10

Fixture Dimensions



ORDERING INFORMATION

Example: TR21000000N0WP+WMA07+WMA04. Accessories / Power Supplies ordered separately.

TR21000000			P	+	WMA07	+	
Model No.	CCT	Optics	Finish		Suspension Kit		Clip
TR21000000	N0 - 2200K F0 - 2700K 50 - 3000K 90 - 4000K	W - 38°x94° D - Diffuse	P - Polycarbonate		WMA07 - Suspension Kit		WMA04 - Clip Pair WMA05 - Pair of tamper-resistant Clips

Job Name/Date:

Fixture Type Designation:

SUGGESTED POWER SUPPLIES

24VDC

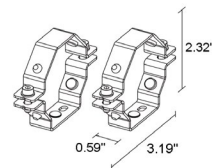
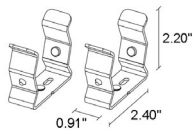
Part Number	Description	Input/Output	# of Fixtures
PPLT00691	Non-Dim	120-277VAC to 24VDC, 60W, Class 2, IP67	1-1
PPLT00709	ELV/TRIAC & 0-10V Dimming to 5% and OFF	120-277VAC to 24VDC, 96W, Class 2, DAMP	1-1
PPLT00543	0-10V Dimming to 15% (-40°C / -40°F cold weather start)	120-277VAC to 24VDC, 100W, Class 2	1-1

Suggested Lutron Compatible

Part Number	Option	Lutron SKU	Dim Range	Description	Input/Output	# of Fixtures
PPLT00530	L3DAE / L3D0	L3DAL3D0	100%-1%	Hi-Lume™ 0.1% EcoSystem™ or 3-Wire LED Driver	120-277VAC to 24VDC, 96W, Class 2	1-1

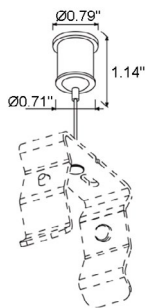
For other power supply options consult factory.

ACCESSORIES - Installation (REQUIRED)



WMA04
Clips Pair

WMA05
Pair of temper-resistant clips



WMA07
Suspension Kit

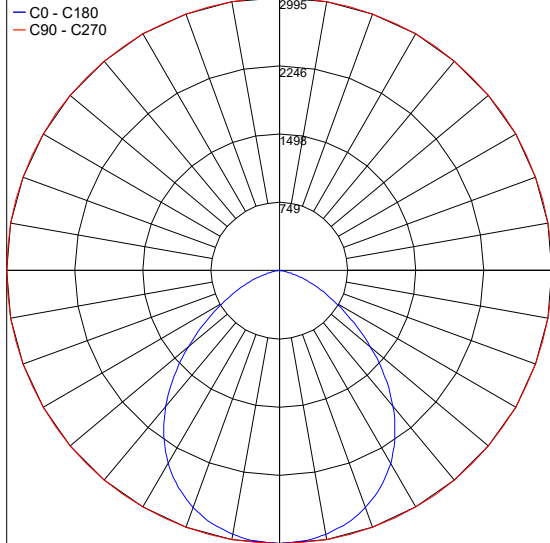
Job Name/Date:

Fixture Type Designation:

PHOTOMETRIC DATA

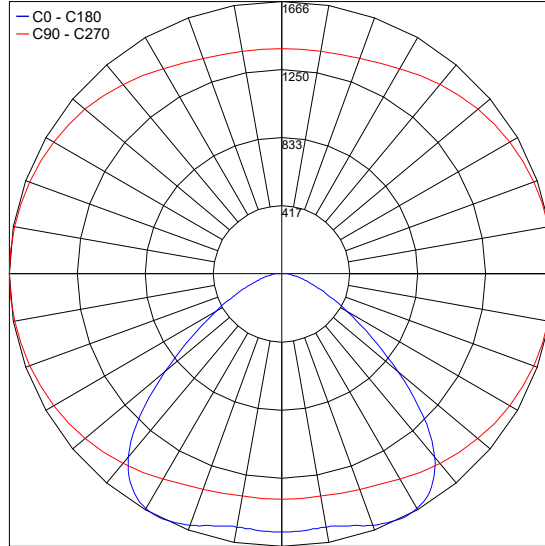
Note all Photometry is 3000K

Maximum Candela = 2995.2



PHOTOMETRIC FILENAME : TREVI_2.1_W_38X94_3000K_42W_24VDC.IES

Maximum Candela = 1666.1



PHOTOMETRIC FILENAME : TREVI_2.1_D_3000K_42W_24VDC.IES

Job Name/Date:

Fixture Type Designation: