

# TREVI S 2.1

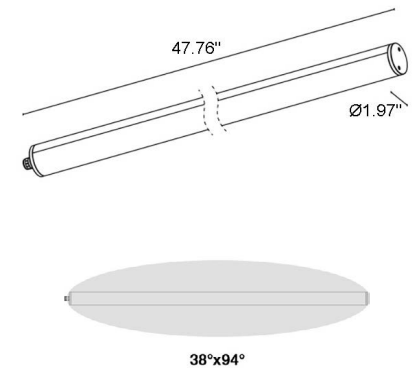
Trevi S is a suspended version of the distinctive Trevi linear profile that is a simple and elegant lighting solution with a wide range of optics suitable for outdoor applications, such as the terraces of hotels and restaurants or indoor applications, such as reception areas. Trevi S 2.1 is the 47.8" length version offering static white with diffuse or elliptical optics.



## TECHNICAL DATA

<b>Wattage / Input</b>	42W (24VDC)
<b>Power Supply</b>	Remote, not included. See page 2.
<b>Construction</b>	End Caps: AISI 316L Stainless Steel Heat Sink: Internal Anticorodal Aluminum Lens: Transparent Polycarbonate Cable Length: 16.4 ft
<b>CCT</b>	2200K, 2700K, 3000K, 4000K
<b>CRI</b>	80
<b>BUG Rating</b>	B2-U1-G1 (38°x94°) B2-U2-G1 (Diffuse)
<b>Delivered Lumens</b>	4484 lm (3000K, 38°x94°)
<b>Efficacy</b>	106.8 lm/W (3000K, 38°x94°)
<b>Optics</b>	38°x94°, Diffuse
<b>Finish</b>	Polycarbonate
<b>Fixture Dimensions</b>	Ø1.97" x 47.76" l
<b>Fixture Weight</b>	6.83 lbs
<b>LED Source</b>	112 mid-power LEDs
<b>Lumen Maintenance</b>	60,000h L80 B10 (Ta 25°C)
<b>Color Consistency</b>	3-Step MacAdam
<b>Operating Temp.</b>	-4°F - 113°F
<b>IP Rating</b>	IP65, IP68
<b>Impact Rating</b>	IK10

Fixture Dimensions



## ORDERING INFORMATION

Example: TR21000000N0WP+WMA07+WMA04. Accessories / Power Supplies ordered separately.

TR21000000			P	+	WMA07	+	
Model No.	CCT	Optics	Finish		Suspension Kit		Clip
TR21000000	N0 - 2200K F0 - 2700K 50 - 3000K 90 - 4000K	W - 38°x94° D - Diffuse	P - Polycarbonate		WMA07 - Suspension Kit		WMA04 - Clip Pair WMA05 - Pair of tamper-resistant Clips

Job Name/Date:

Fixture Type Designation:

## SUGGESTED POWER SUPPLIES

24VDC

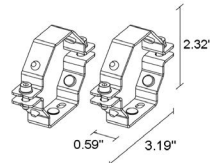
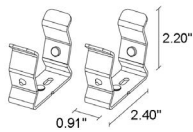
Part Number	Description	Input/Output	# of Fixtures
<a href="#">PPLT00691</a>	Non-Dim	120-277VAC to 24VDC, 60W, Class 2, IP67	1-1
<a href="#">PPLT00543</a>	0-10V Dimming to 15% (-40°C / -40°F cold weather start)	120-277VAC to 24VDC, 100W, Class 2	1-1

## Suggested Lutron Compatible

Part Number	Option	Lutron SKU	Dim Range	Description	Input/Output	# of Fixtures
<a href="#">PPLT00530</a>	L3DAE / L3D0	L3DAL3D0	100%-1%	Hi-Lume™ 0.1% EcoSystem™ or 3-Wire LED Driver	120-277VAC to 24VDC, 96W, Class 2	1-1

For other power supply options consult factory.

## ACCESSORIES - Installation (REQUIRED)

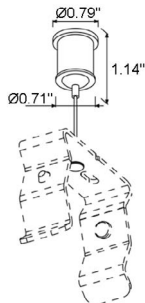


### WMA04

Clips Pair

### WMA05

Pair of temper-resistant clips



### WMA07

Suspension Kit

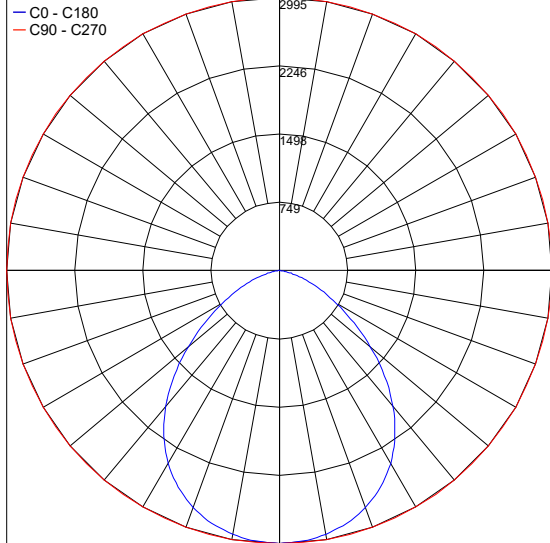
Job Name/Date:

Fixture Type Designation:

## PHOTOMETRIC DATA

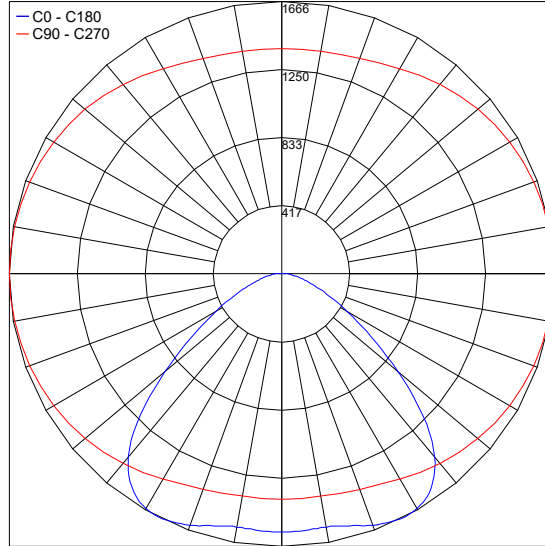
Note all Photometry is 3000K

Maximum Candela = 2995.2



PHOTOMETRIC FILENAME : TREVI\_2.1\_W\_38X94\_3000K\_42W\_24VDC.IES

Maximum Candela = 1666.1



PHOTOMETRIC FILENAME : TREVI\_2.1\_D\_3000K\_42W\_24VDC.IES

Job Name/Date:

Fixture Type Designation: