

# TREVI S 2.3

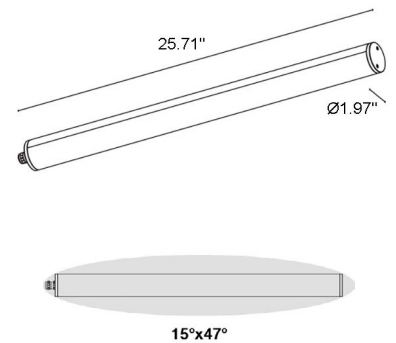
Trevi S is a suspended version of the distinctive Trevi linear profile that is a simple and elegant lighting solution with a wide range of optics suitable for outdoor applications, such as the terraces of hotels and restaurants or indoor applications, such as reception areas. Trevi S 2.3 is the 25.7" length version offering static white with 4 optics options.



## TECHNICAL DATA

<b>Wattage / Input</b>	20W (24VDC)
<b>Power Supply</b>	Remote, not included. See page 2.
<b>Construction</b>	End Caps: AISI 316L Stainless Steel Heat Sink: Internal Anticorodal Aluminum Lens: Transparent Polycarbonate Cable Length: 16.4 ft
<b>CCT</b>	2200K, 2700K, 3000K, 4000K
<b>CRI</b>	80
<b>BUG Rating</b>	B2-U1-G0 (3000K)
<b>Delivered Lumens</b>	1936 lm (3000K, 10°)
<b>Efficacy</b>	96.8 lm/W (3000K, 10°)
<b>Optics</b>	10°, 29°, 42°, 15°x47°
<b>Finish</b>	Polycarbonate
<b>Fixture Dimensions</b>	Ø1.97" x 25.71" l
<b>Fixture Weight</b>	5.84 lbs
<b>LED Source</b>	14 power LEDs
<b>Lumen Maintenance</b>	60,000h L80 B10 (Ta 25°C)
<b>Color Consistency</b>	-
<b>Operating Temp.</b>	-4°F - 113°F
<b>IP Rating</b>	IP65, IP68
<b>Impact Rating</b>	IK10

Fixture Dimensions



## ORDERING INFORMATION

Example: TR23000000N0SP+WMA07+WMA04. Accessories / Power Supplies ordered separately.

TR23000000			P	+	WMA07	+	
Model No.	CCT	Optics	Finish		Suspension Kit		Clip
TR23000000	N0 - 2200K F0 - 2700K 50 - 3000K 90 - 4000K	S - 10° M - 29° L - 42° W - 15°x47°	P - Polycarbonate		WMA07 - Suspension Kit		WMA04 - Clip Pair WMA05 - Pair of tamper-resistant Clips

Job Name/Date:

Fixture Type Designation:

## SUGGESTED POWER SUPPLIES

24VDC

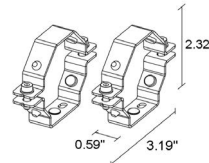
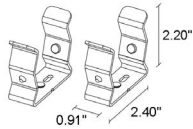
Part Number	Description	Input/Output	# of Fixtures
<a href="#">PPLT00567</a>	Non-Dim	120-277VAC to 24VDC, 36W, Class 2	1-1
<a href="#">PPLT00690</a>	ELV / TRIAC & 0-10V Dimming	120-277VAC to 24VDC, 40W, Class 2, IP67	1-1
<a href="#">PPLT00543</a>	0-10V Dimming to 15% (-40°C / -40°F cold weather start)	120-277VAC to 24VDC, 100W, Class 2	1-4

## Suggested Lutron Compatible

Part Number	Option	Lutron SKU	Dim Range	Description	Input/Output	# of Fixtures
<a href="#">PPLT00273</a>	L3DAE / L3DA3W	L3DA	100%-1%	Hi-Lume™ 1% EcoSystem™ or 1% 3-Wire LED Driver	120-277VAC to 24VDC, 40W, Class 2	1-1
<a href="#">PPLT00530</a>	L3DAE / L3D0	L3DA/L3D0	100%-1%	Hi-Lume™ 0.1% EcoSystem™ or 3-Wire LED Driver	120-277VAC to 24VDC, 96W, Class 2	1-3

For other power supply options consult factory.

## ACCESSORIES - Installation (REQUIRED)

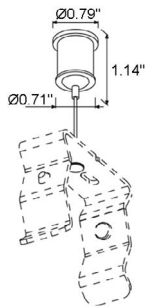


### WMA04

Clips Pair

### WMA05

Pair of temper-resistant clips



### WMA07

Suspension Kit

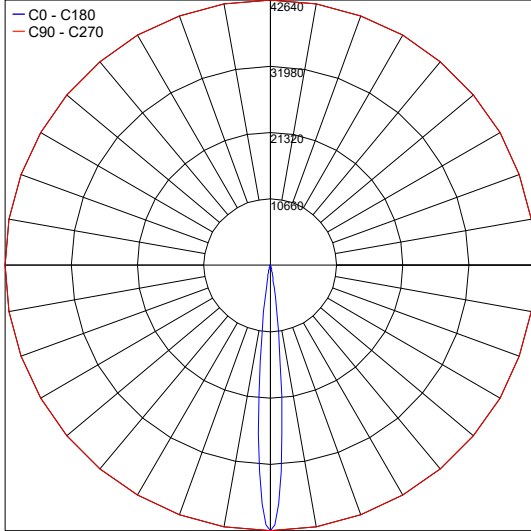
Job Name/Date:

Fixture Type Designation:

## PHOTOMETRIC DATA

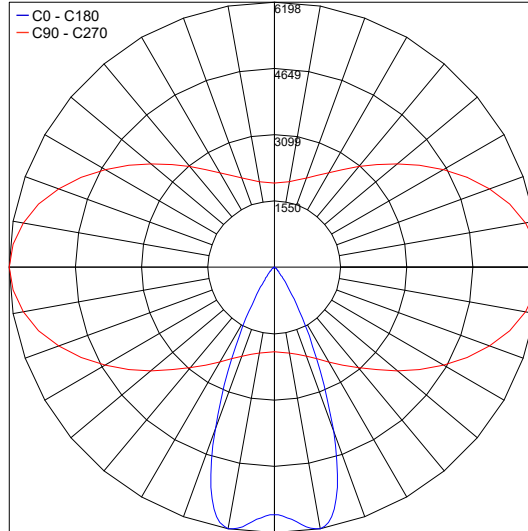
Note all Photometry is 3000K

Maximum Candela = 42640.2



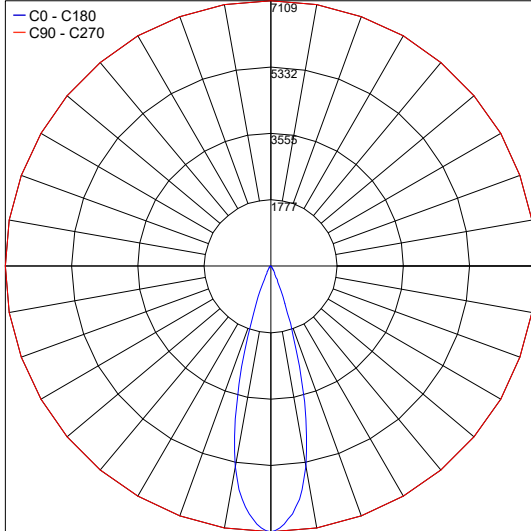
PHOTOMETRIC FILENAME : TREVI\_2.3\_S\_10\_3000K\_20W\_24VDC.IES

Maximum Candela = 6198.2



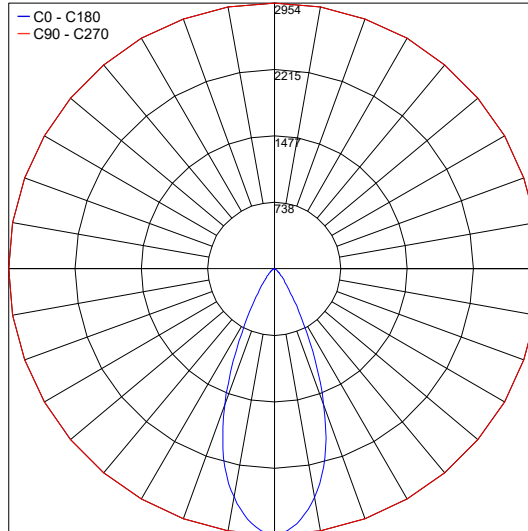
PHOTOMETRIC FILENAME : TREVI\_2.3\_W\_15X47\_3000K\_20W\_24VDC.IES

Maximum Candela = 7109.5



PHOTOMETRIC FILENAME : TREVI\_2.3\_M\_29\_3000K\_20W\_24VDC.IES

Maximum Candela = 2953.7



PHOTOMETRIC FILENAME : TREVI\_2.3\_L\_42\_3000K\_20W\_24VDC.IES

Job Name/Date:

Fixture Type Designation: