

TREVI S 2.5

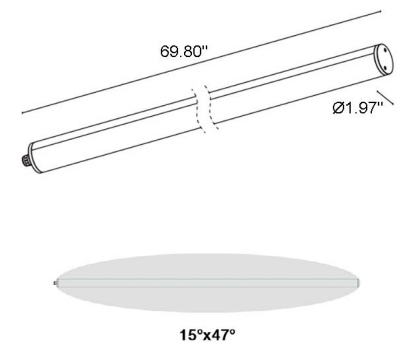
Trevi S is a suspended version of the distinctive Trevi linear profile that is a simple and elegant lighting solution with a wide range of optics suitable for outdoor applications, such as the terraces of hotels and restaurants or indoor applications, such as reception areas. Trevi S 2.5 is the 69.8" length version offering static white with 4 optics options.



TECHNICAL DATA

Wattage / Input	61W (24VDC)
Power Supply	Remote, not included. See page 2.
Construction	End Caps: AISI 316L Stainless Steel Heat Sink: Internal Anticorodal Aluminum Lens: Transparent Polycarbonate Cable Length: 16.4 ft
CCT	2200K, 2700K, 3000K, 4000K
CRI	80
BUG Rating	B3-U1-G0 (3000K, 42°, 15°x47°) B4-U1-G0 (3000K, 29°, 10°)
Delivered Lumens	5808 lm (3000K, 10°)
Efficacy	95.2 lm/W (3000K, 10°)
Optics	10°, 29°, 42°, 15°x47°
Finish	Polycarbonate
Fixture Dimensions	Ø1.97" x 69.80" l
Fixture Weight	10.58 lbs
LED Source	42 power LEDs
Lumen Maintenance	60,000h L80 B10 (Ta 25°C)
Color Consistency	-
Operating Temp.	-4°F - 113°F
IP Rating	IP65, IP68
Impact Rating	IK10

Fixture Dimensions



ORDERING INFORMATION

Example: TR25000000N0SP+WMA07+WMA04 Accessories / Power Supplies ordered separately.

TR25000000			P	+	WMA07	+	
Model No.	CCT	Optics	Finish		Suspension Kit		Clip
TR25000000	N0 - 2200K F0 - 2700K 50 - 3000K 90 - 4000K	S - 10° M - 29° L - 42° W - 15°x47°	P - Polycarbonate		WMA07 - Suspension Kit		WMA04 - Clip Pair WMA05 - Pair of tamper-resistant Clips

Job Name/Date:

Fixture Type Designation:

SUGGESTED POWER SUPPLIES

24VDC

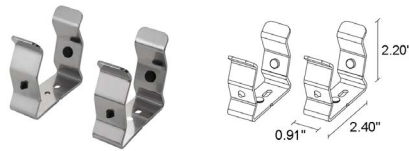
Part Number	Description	Input/Output	# of Fixtures
PPLT00681	Non-Dim	120-277VAC to 24VDC, 90W, Class 2, IP67	1-1
PPLT00543	0-10V Dimming to 15% (-40°C / -40°F cold weather start)	120-277VAC to 24VDC, 100W, Class 2	1-1

Suggested Lutron Compatible

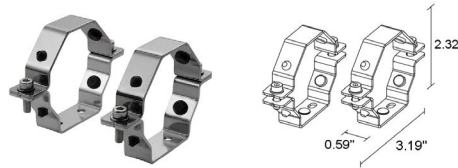
Part Number	Option	Lutron SKU	Dim Range	Description	Input/Output	# of Fixtures
PPLT00530	L3DAE / L3D0	L3DA/L3D0	100%-1%	Hi-Lume™ 0.1% EcoSystem™ or 3-Wire LED Driver	120-277VAC to 24VDC, 96W, Class 2	1-1

For other power supply options consult factory.

ACCESSORIES - Installation (REQUIRED)



WMA04
Clips Pair



WMA05
Pair of temper-resistant clips



WMA07
Suspension Kit

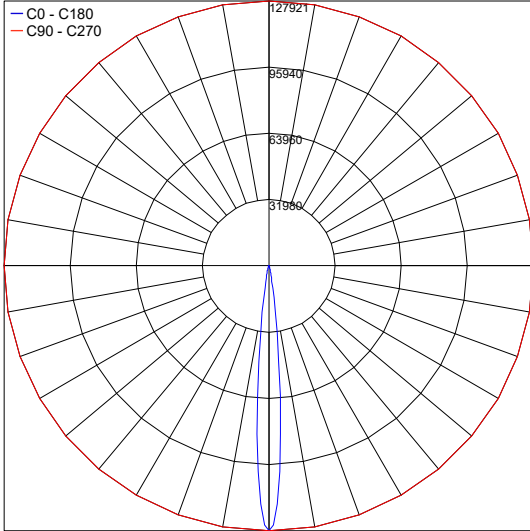
Job Name/Date:

Fixture Type Designation:

PHOTOMETRIC DATA

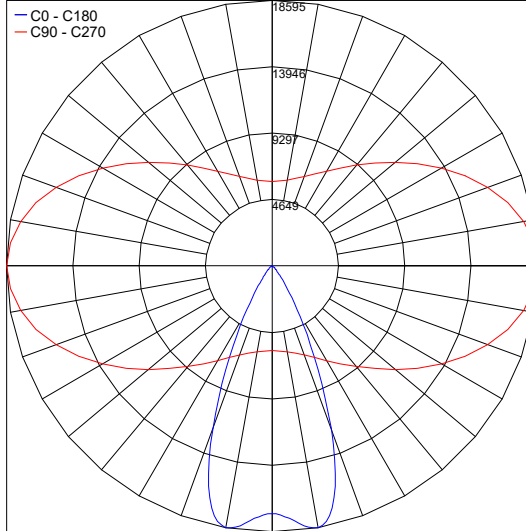
Note all Photometry is 3000K

Maximum Candela = 127920.6



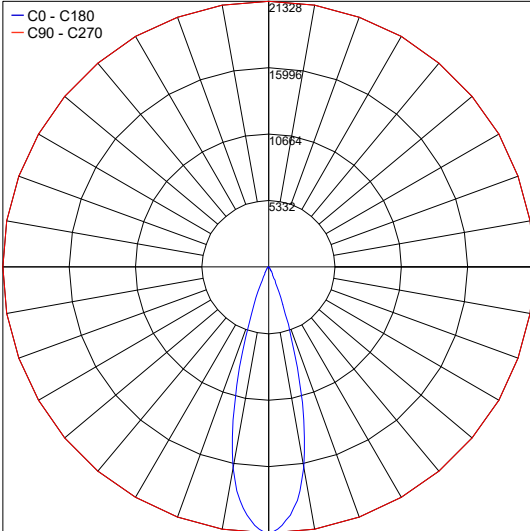
PHOTOMETRIC FILENAME : TREVI_2.5_S_10_3000K_61W_24VDC.IES

Maximum Candela = 18594.7



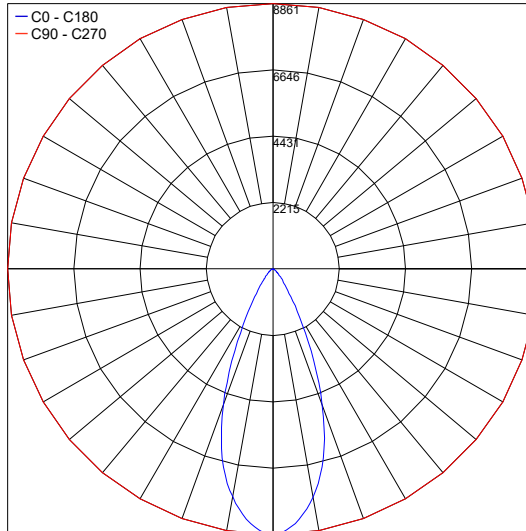
PHOTOMETRIC FILENAME : TREVI_2.5_W_15X47_3000K_61W_24VDC.IES

Maximum Candela = 21328.4



PHOTOMETRIC FILENAME : TREVI_2.5_M_29_3000K_61W_24VDC.IES

Maximum Candela = 8861



PHOTOMETRIC FILENAME : TREVI_2.5_L_42_3000K_61W_24VDC.IES

Job Name/Date:

Fixture Type Designation: