

TREVI S 2.6

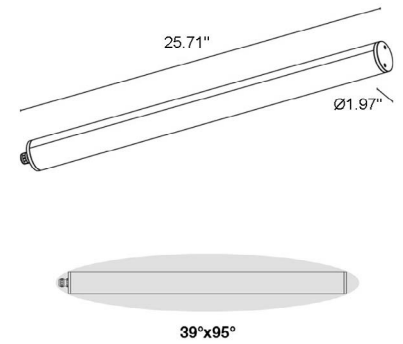
Trevi S is a suspended version of the distinctive Trevi linear profile that is a simple and elegant lighting solution with a wide range of optics suitable for outdoor applications, such as the terraces of hotels and restaurants or indoor applications, such as reception areas. Trevi S 2.6 is the 25.7" length version offering RGBW light with diffuse or elliptical optics.



TECHNICAL DATA

Wattage / Input	25W (24VDC)
Power Supply	Remote, not included. See page 2.
Construction	End Caps: AISI 316L Stainless Steel Heat Sink: Internal Anticorodal Aluminum Lens: Transparent Polycarbonate Cable Length: 16.4 ft
CCT	RGBW
BUG Rating	B0-U1-G0 (3000K, Diffuse) B1-U1-G0 (RGBW/3000K, Diffuse, 39°x95°)
Delivered Lumens	1435 lm (Diffuse) (R) 162 lm (G) 599 lm (B) 112 lm (W) 670 lm (3000K)
Efficacy	57.4 lm/W (Diffuse) (R) 6.5 lm/W (G) 24.0 lm/W (B) 4.5 lm/W (W) 26.8 lm/W
Optics	39°x95°, Diffuse
Finish	Polycarbonate
Fixture Dimensions	Ø1.97" x 25.71" l
Fixture Weight	5.84 lbs
LED Source	168 mid-power LEDs
Lumen Maintenance	60,000h L80 B10 (Ta 25°C)
Color Consistency	-
Operating Temp.	-4°F - 113°F
IP Rating	IP65, IP68
Impact Rating	IK10

Fixture Dimensions



ORDERING INFORMATION

Example: TR2600000070WP+WMA07+WMA04 Accessories / Power Supplies ordered separately.

TR26000000	70		P	+	WMA07	+	
Model No. TR26000000	CCT 70 - RGBW	Optics W - 39°x95° D - Diffuse	Finish P - Polycarbonate		Suspension Kit WMA07 - Suspension Kit		Clip WMA04 - Clip Pair WMA05 - Pair of tamper-resistant Clips

Job Name/Date:

Fixture Type Designation:

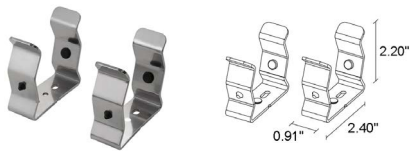
SUGGESTED POWER SUPPLIES

24VDC - RGBW

Part Number	Description	Input/Output	# of Fixtures
PPLT00288-P24	DMX / RDM (Field Addressable) / DALI	120-277VAC to 24VDC, 100W, Class 2, Dry	1 - 3

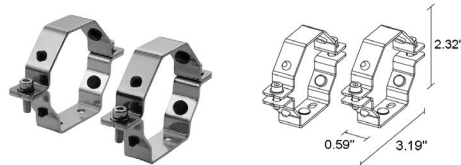
For other power supply options consult factory.

ACCESSORIES - Installation (REQUIRED)



WMA04

Clips Pair



WMA05

Pair of temper-resistant clips



WMA07

Suspension Kit

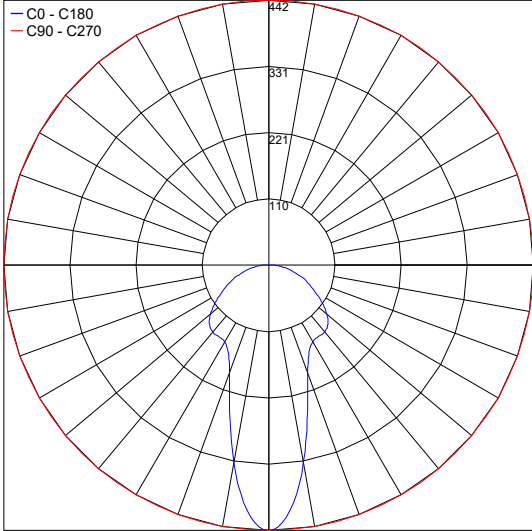
Job Name/Date:

Fixture Type Designation:

PHOTOMETRIC DATA

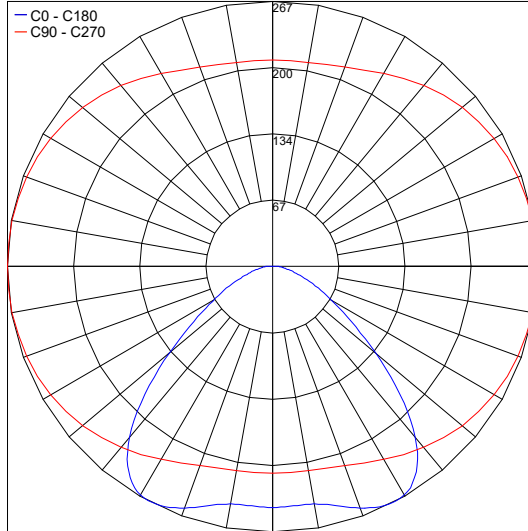
Note all Photometry is 3000K

Maximum Candela = 441.7



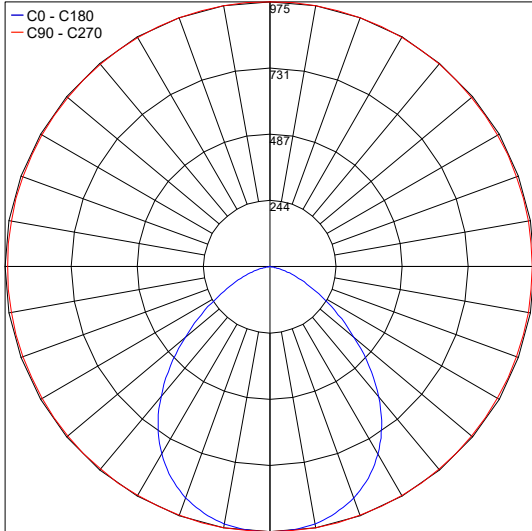
PHOTOMETRIC FILENAME : TREVI_2.6_W_39X95_3000K_25W_24VDC.IES

Maximum Candela = 267.1



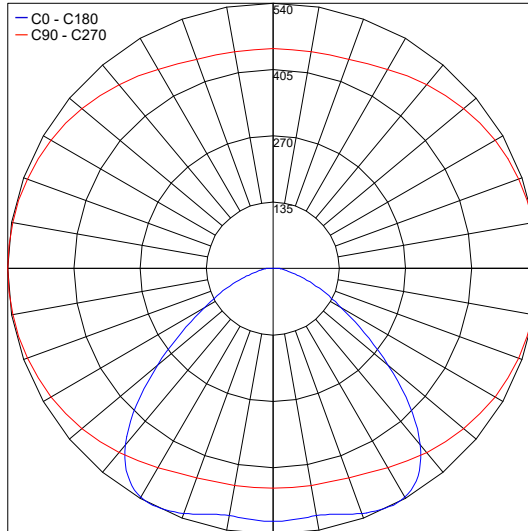
PHOTOMETRIC FILENAME : TREVI_2.6_D_3000K_25W_24VDC.IES

Maximum Candela = 975



PHOTOMETRIC FILENAME : TREVI_2.6_W_39X95_RGBW_25W_24VDC.IES

Maximum Candela = 539.7



PHOTOMETRIC FILENAME : TREVI_2.6_D_RGBW_25W_24VDC.IES

Job Name/Date:

Fixture Type Designation: