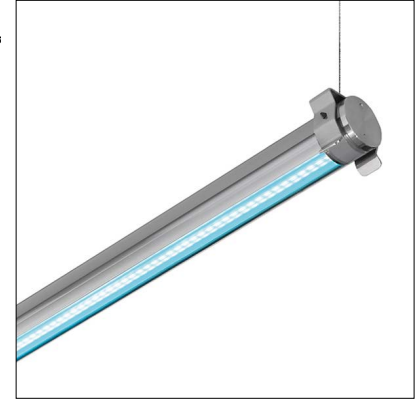


# TREVI S 2.8

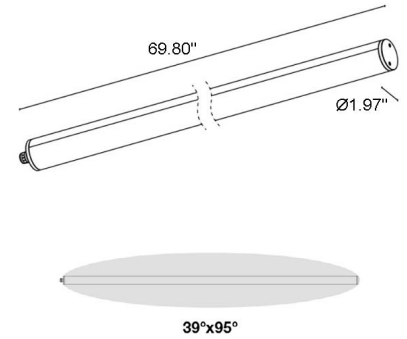
Trevi S is a suspended version of the distinctive Trevi linear profile that is a simple and elegant lighting solution with a wide range of optics suitable for outdoor applications, such as the terraces of hotels and restaurants or indoor applications, such as reception areas. Trevi S 2.8 is the 69.8" length version offering RGBW light with diffuse or elliptical optics.



## TECHNICAL DATA

<b>Wattage / Input</b>	75W (24VDC)
<b>Power Supply</b>	Remote, not included. See page 2.
<b>Construction</b>	End Caps: AISI 316L Stainless Steel Heat Sink: Internal Anticorodal Aluminum Lens: Transparent Polycarbonate Cable Length: 16.4 ft
<b>CCT</b>	RGBW
<b>BUG Rating</b>	B1-U1-G1 (3000K: Diffuse, 39°x95°) B2-U2-G1 (RGBW: Diffuse, 39°x95°)
<b>Delivered Lumens</b>	4305 lm (Diffuse) (R) 486 lm (G) 1796 lm (B) 336 lm (W) 2011 lm
<b>Efficacy</b>	57.4 lm/W (Diffuse) (R) 6.5 lm/W (G) 24.0 lm/W (B) 4.5 lm (W) 26.8 lm/W
<b>Optics</b>	39°x95°, Diffuse
<b>Finish</b>	Polycarbonate
<b>Fixture Dimensions</b>	Ø1.97" x 69.80" l
<b>Fixture Weight</b>	10.58 lbs
<b>LED Source</b>	204 mid-power LEDs
<b>Lumen Maintenance</b>	60,000h L80 B10 (Ta 25°C)
<b>Color Consistency</b>	—
<b>Operating Temp.</b>	-4°F - 113°F
<b>IP Rating</b>	IP65, IP68
<b>Impact Rating</b>	IK10

Fixture Dimensions



## ORDERING INFORMATION

Example: TR2800000070WP+WMA07+WMA04 Accessories / Power Supplies ordered separately.

TR28000000	70		P	+	WMA07	+	
<b>Model No.</b>	<b>CCT</b>	<b>Optics</b>	<b>Finish</b>		<b>Suspension Kit</b>		<b>Clip</b>
TR28000000	70 - RGBW	W - 39°x95° D - Diffuse	P - Polycarbonate		WMA07 - Suspension Kit		WMA04 - Clip Pair WMA05 - Pair of tamper-resistant Clips

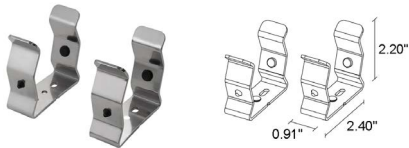
Job Name/Date:

Fixture Type Designation:

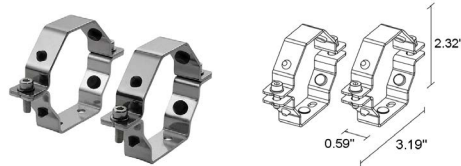
## SUGGESTED POWER SUPPLIES

24VDC - 75W RGBW - Consult Factory

## ACCESSORIES - Installation (REQUIRED)



**WMA04**  
Clips Pair



**WMA05**  
Pair of temper-resistant clips



**WMA07**  
Suspension Kit

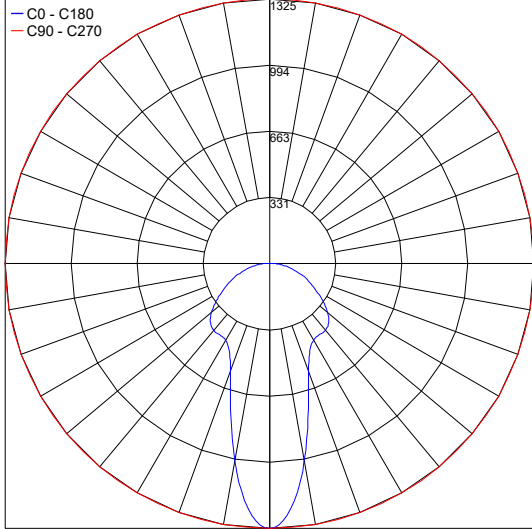
Job Name/Date:

Fixture Type Designation:

## PHOTOMETRIC DATA

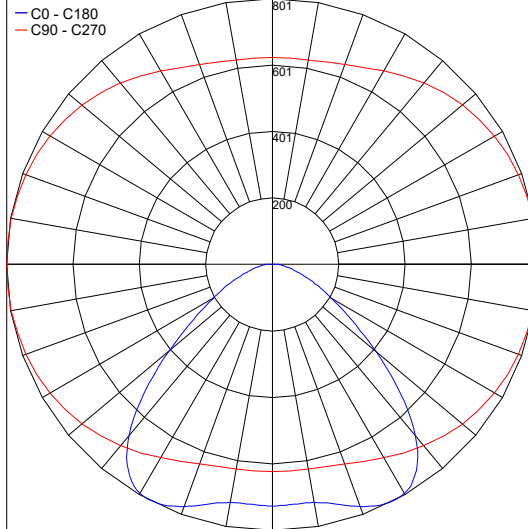
Note all Photometry is 3000K

Maximum Candela = 1325.0



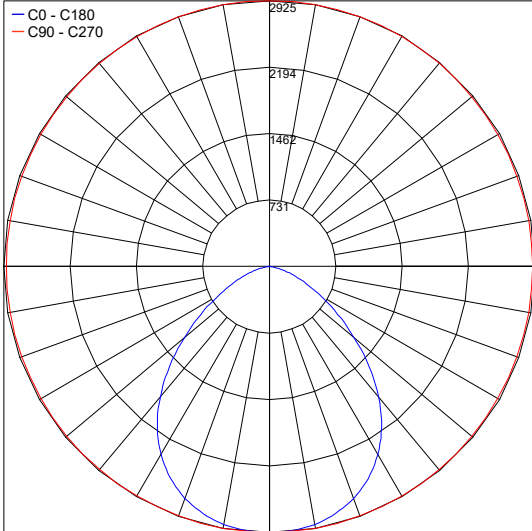
PHOTOMETRIC FILENAME : TREVI\_2.8\_W\_39X95\_3000K\_75W\_24VDC.IES

Maximum Candela = 801.2



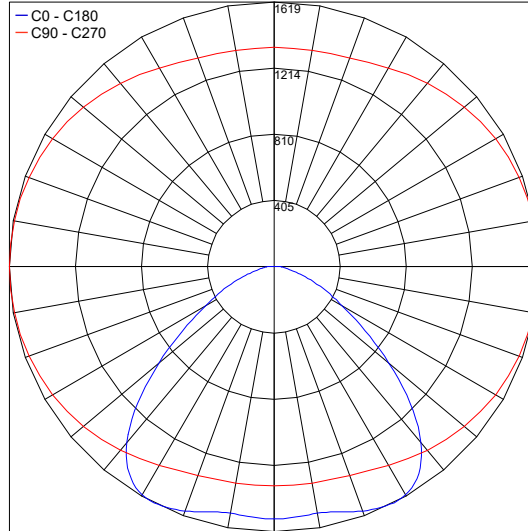
PHOTOMETRIC FILENAME : TREVI\_2.8\_D\_3000K\_75W\_24VDC.IES

Maximum Candela = 2925



PHOTOMETRIC FILENAME : TREVI\_2.8\_W\_39X95\_RGBW\_75W\_24VDC.IES

Maximum Candela = 1619.2



PHOTOMETRIC FILENAME : TREVI\_2.8\_D\_RGBW\_75W\_24VDC.IES

Job Name/Date:

Fixture Type Designation: