

CUP

Designed by G. M. Scutellà



FRANCESCONI
ARCHITECTURAL LIGHT

designplan® 

Why CUP?

The CUP Collection is the result of the precise need to combine form and function, just like it happens in architectural projects. Its minimal design made by Giuseppe Maurizio Scutellà, the absence of visible screws, characterizes the collection as a bright shell where details blend together in a single identity character. The ad hoc design of the LED board together with the made-on-purpose lens have allowed us to achieve a dual goal: identity design and unique lighting performance.

Filippo Badinelli

CEO Francesconi Architectural Light

ABOUT THE COLLECTION

CUP is not a temporary emotion but a wide range of well-structured and reliable applications in every installation context.



Wall



Bollard



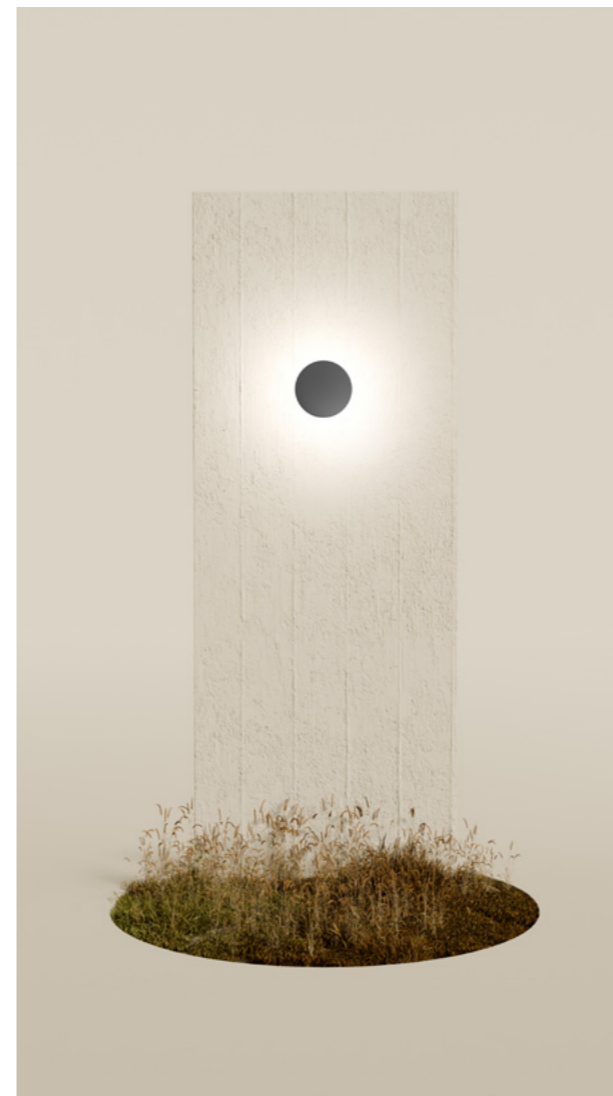
Pole mounted

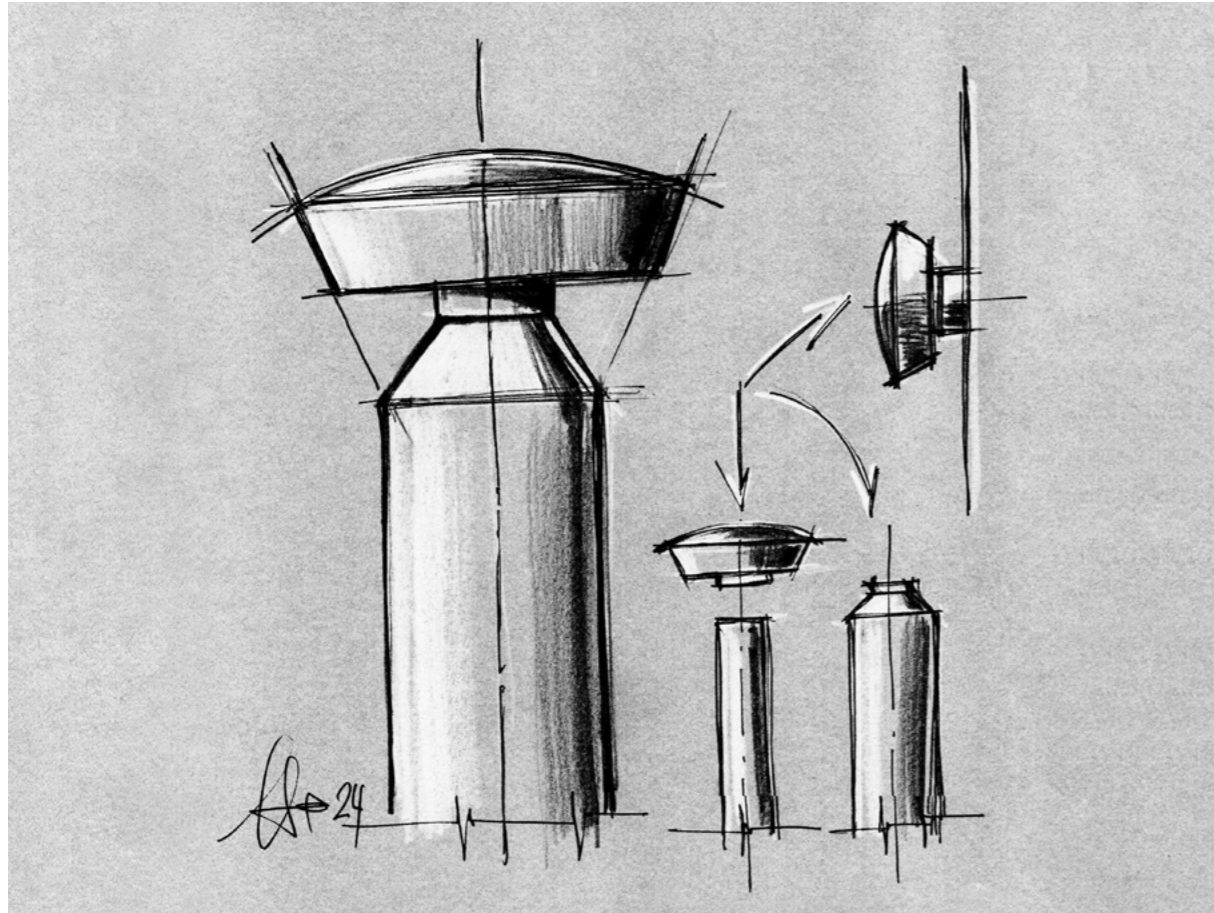
On/ Off
and
DALI

IP66
IK10

Efficiency
80 lm/watt

180°
or
360°
Beam

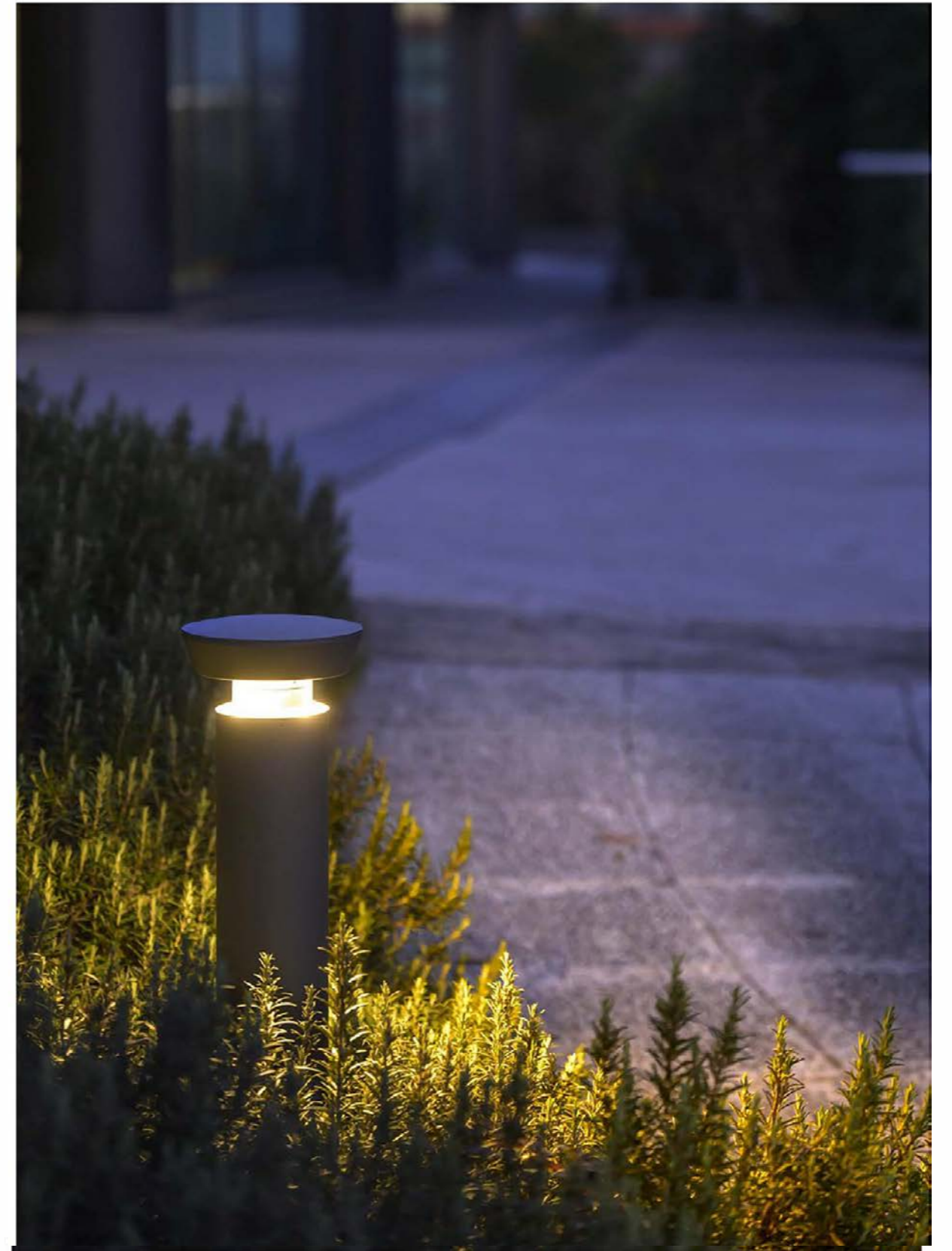




“CUP’s design is the synthesis of a dichotomy plan: a soft, plastic shape on the top and a conical, sharp shape on the side. It comes from the contrast of these shapes as a versatile light passpartout .”

G. M. Scutellà
Designer





Flexibility in the applications.

From the bollard to the applique. Not the ordinary cylindrical bollard, but a versatile engineered passpartout with optical motors and different powers, ready to be housed on different types of pole. Also available for installation in urban areas and as a striking and light applique.





Sustainability and efficiency.

Made of low environmental impact materials, whose recyclability stands for the 85% of the total material. There is a dedicated optic inside, which ensures excellent lighting performance. Product and environment have never been in such a symbiosis!

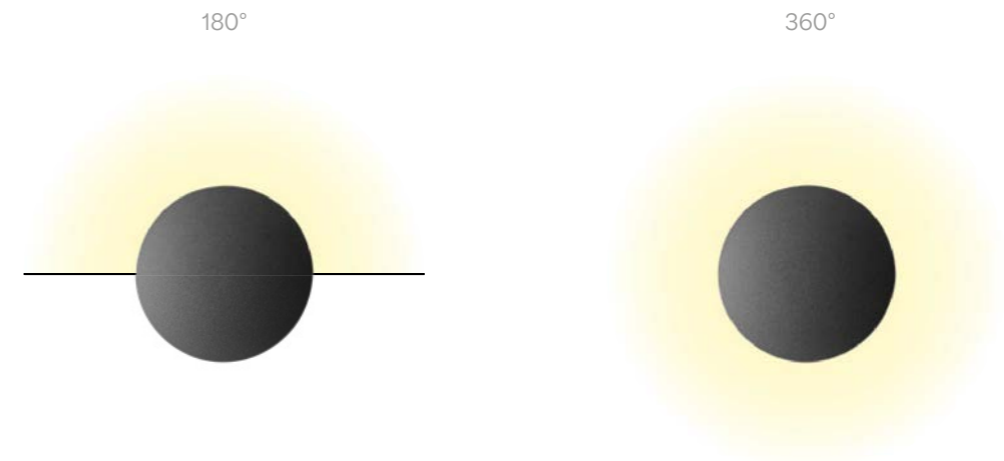


Light control and well-being.

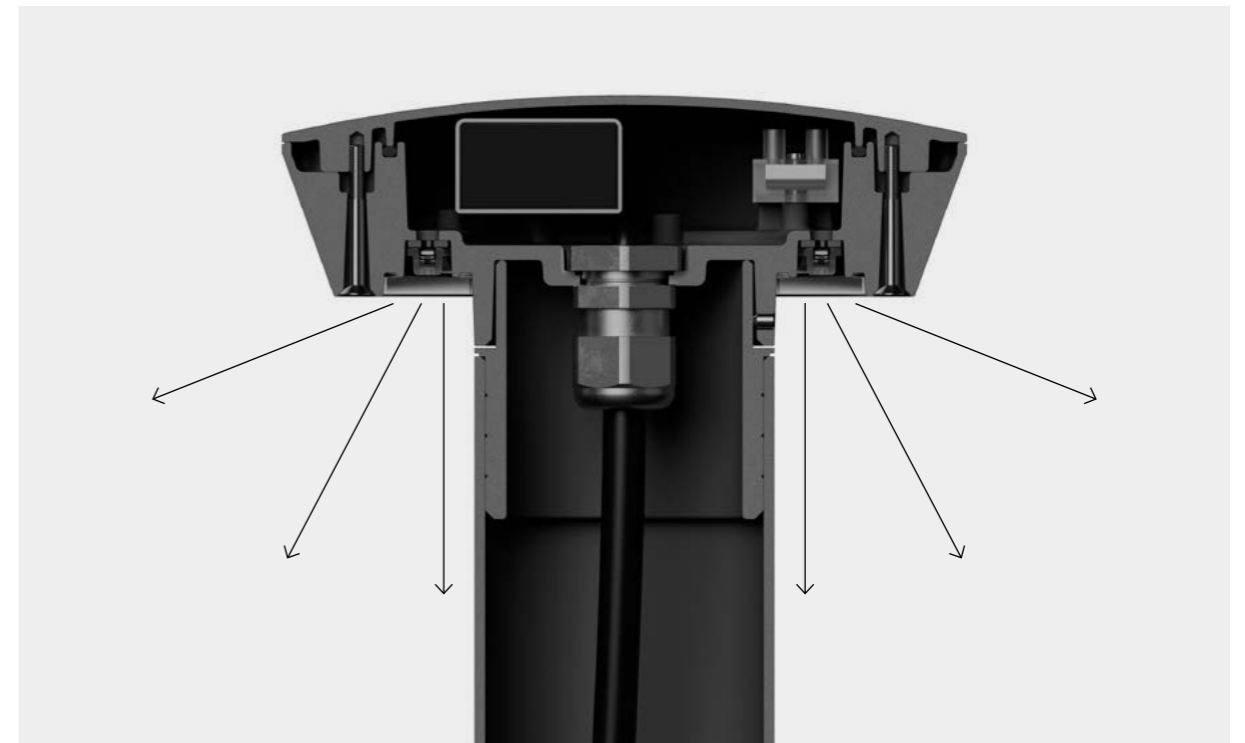


CUP is characterized by the highest quality in light control thanks to a specially designed lens, which guarantees a total uniformity of illumination on the ground without any shadow and a product efficiency of 80 lm/watt; in line with the most strict requirements for energy efficiency.

LIGHT BEAMS



LIGHT BEAM DIRECTION

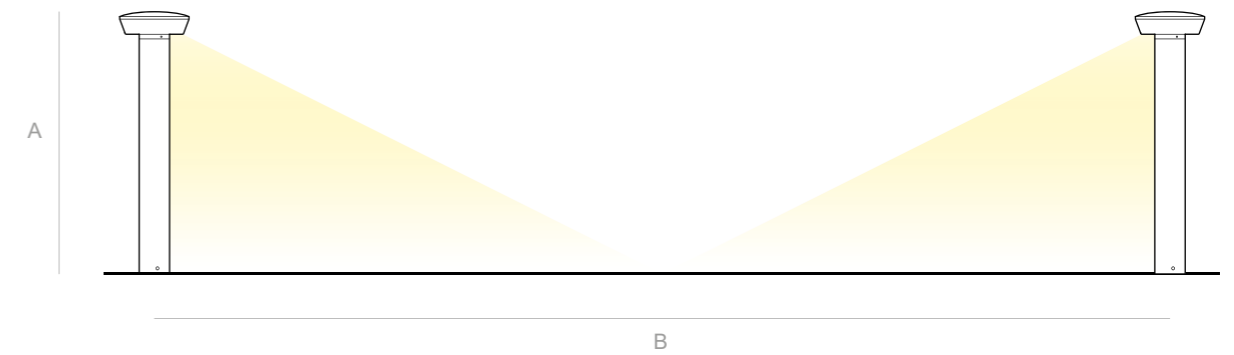




POLE HEAD - AVAILABLE OPTIONS



SUGGESTIONS FOR BOLLARD INSTALLATION



Emission 180°

A= 2.95'	B = 14.11'	21 lx
A = 8.20'	B = 36.09'	17 lx

Emission 360°

A= 2.95'	B = 15.09'	20 lx
A = 8.20'	B = 28.87'	15 lx

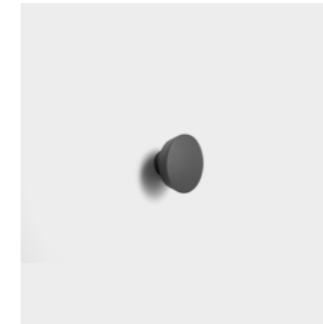
CUP Collection

Registered design

Die-cast aluminum housing.
Aluminum fixing base (applique version).
Aluminum fixing base with anodisation treatment 40 micron (bollard version).
High resistance double painting process (UNI ISO9227:2012 saline test compliant).
A4 stainless steel sealing allen screws.
High efficiency optical lens in PMMA material.
Extra clear tempered glass.
Silicon gasket.
Single cable input, pre-assembled with neoprene cable and IP68 water-stop fast connector.
Compliant EN60598-1 and related annex.

Applique

Wall



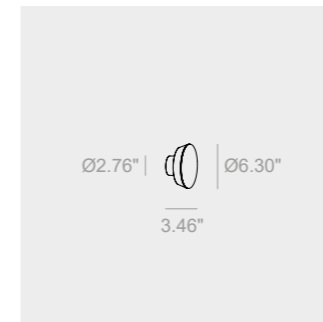
Performance data

Power (W)	5.2 (.67)
Output (lm) 2K	425 (.67)
Output (lm) 3K	435 (.67)
Output (lm) 4K	450 (.67)
L80 B10 lifetime (hrs)	41.000 (Ta 40°)

Build data

Voltage	120-277V 50-60Hz
Power supply	Included
External cable	Single neoprene cable
Protection rating	IP66
IK	10

Dimensions



● Finish	_1	Anthracite
	_4	Grey Aluminum
■ CCT	_2	2.7K - CRI >80 on request
	_3	3.0K - CRI >80
	_4	4.0K - CRI >80
▲ Beam	_64	180°
	_67	360°

Code composition 33501 — — —
ON/OFF ● ■ ▲

Code composition 33502 — — —
DALI ● ■ ▲

Bollard

Ground



Performance data

Power (W)	5.4 (.64), 5.2 (.67)	7.6 (.64), 7.4 (.67)	7.6 (.64), 7.4 (.67)
Output (lm) 2K	430 (.64), 425 (.67)	600 (.64), 590 (.67)	600 (.64), 590 (.67)
Output (lm) 3K	440 (.64), 435 (.67)	605 (.64), 595 (.67)	605 (.64), 595 (.67)
Output (lm) 4K	455 (.64), 450 (.67)	620 (.64), 610 (.67)	620 (.64), 610 (.67)
L80 B10 lifetime (hrs)	41.000 (Ta 40°)	41.000 (Ta 40°)	41.000 (Ta 40°)

Build data

Voltage	120-277V 50-60Hz	120-277V 50-60Hz	120-277V 50-60Hz
Power supply	Included	Included	Included ON-OFF
External cable	Single input neoprene cable	Single input neoprene cable	Single input neoprene cable
Protection rating	IP66	IP66	IP66
IK	10	10	10

Dimensions



● Finish	_1	Anthracite	_1	Anthracite	_1	Anthracite
	_4	Grey Aluminum	_4	Grey Aluminum	_4	Grey Aluminum
■ CCT	_2	2.7K - CRI >80 on request	_2	2.7K - CRI >80 on request	_2	2.7K - CRI >80 on request
	_3	3.0K - CRI >80	_3	3.0K - CRI >80	_3	3.0K - CRI >80
	_4	4.0K - CRI >80	_4	4.0K - CRI >80	_4	4.0K - CRI >80
▲ Beam	_64	180°	_64	180°	_64	180°
	_67	360°	_67	360°	_67	360°
Code composition ON/OFF	63501	— — —	63507	— — —	63518	— — —
Code composition DALI	63502	● ■ ▲	63508	● ■ ▲	63519	● ■ ▲

Bollard

Ground



Performance data

Power (W)	15.6 (.64), 14.9 (.67)
Output (lm) 2K	1195 (.64), 1185 (.67)
Output (lm) 3K	1245 (.64), 1205 (.67)
Output (lm) 4K	1290 (.64), 1235 (.67)
L80 B10 lifetime (hrs)	41.000 (Ta 40°)

Build data

Voltage	120-277V 50-60Hz
Power supply	Included ON/OFF
External cable	Single input neoprene cable
Protection rating	IP66
IK	10

Dimensions



● Finish	_1	Anthracite
	_4	Grey Aluminum
■ CCT	_2	2.7K - CRI >80 on request
	_3	3.0K - CRI >80
	_4	4.0K - CRI >80
▲ Beam	_64	180°
	_67	360°
Code composition ON/OFF	63524	— — —
Code composition DALI	63525	● ■ ▲

Accessories

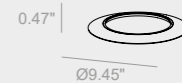
A 9947 (Bollard Ø2.76")
Flange for concrete



A 9948 (Bollard Ø3.94")
Flange for concrete



A 9949 (Bollard Ø2.76"/3.94")
Anti-lighting pollution cover
for grey aluminum finishing



Pole

Ground



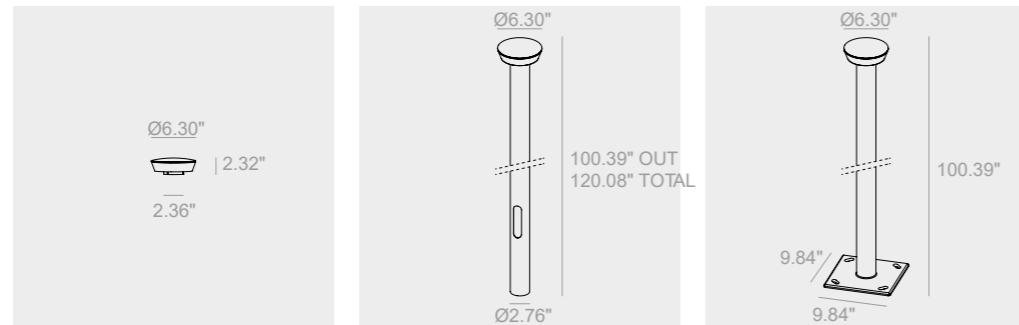
Performance data

Power (W)	15.6 (.64), 14.9 (.67)	15.6 (.64), 14.9 (.67)	15.6 (.64), 14.9 (.67)
Output (lm) 2K	1195 (.64), 1185 (.67)	1195 (.64), 1185 (.67)	1195 (.64), 1185 (.67)
Output (lm) 3K	1245 (.64), 1205 (.67)	1245 (.64), 1205 (.67)	1245 (.64), 1205 (.67)
Output (lm) 4K	1290 (.64), 1235 (.67)	1290 (.64), 1235 (.67)	1290 (.64), 1235 (.67)
L80 B10 lifetime (hrs)	41.000 (Ta 40°)	41.000 (Ta 40°)	41.000 (Ta 40°)

Build data

Voltage	120-277V 50-60Hz Included	120-277V 50-60Hz Included	120-277V 50-60Hz Included
Power supply	ON-OFF	ON-OFF	ON-OFF
External cable	Single input neoprene cable	Single input neoprene cable	Single input neoprene cable
Protection rating	IP66	IP66	IP66
IK	10	10	10

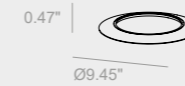
Dimensions



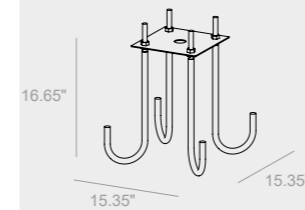
● Finish	_1 Anthracite _4 Grey Aluminum	_1 Anthracite _4 Grey Aluminum	_1 Anthracite _4 Grey Aluminum
■ CCT	_2 2.7K - CRI >80 on request _3 3.0K - CRI >80 _4 4.0K - CRI >80	_2 2.7K - CRI >80 on request _3 3.0K - CRI >80 _4 4.0K - CRI >80	_2 2.7K - CRI >80 on request _3 3.0K - CRI >80 _4 4.0K - CRI >80
▲ Beam	_64 180° _67 360°	_64 180° _67 360°	_64 180° _67 360°
Code composition ON/OFF	93501 — — — ● ■ ▲	X3501 — — — ● ■ ▲	X3507 — — — ● ■ ▲
Code composition DALI	93502 — — — ● ■ ▲	X3502 — — — ● ■ ▲	X3508 — — — ● ■ ▲

Accessories

A 9949
Anti-lighting pollution cover
for grey aluminum finishing



A 9952
Planted roots for cylindrical
pole with base



Giuseppe Maurizio Scutellà

Accurate industrial designer, keen on the most significant and heterogeneous design and artistic trends. He combines a dual soul within its own proposal: the technical and the artistic one. He has got an important technical background, which allows him to use either the “Form Follows Function” or the “Function Follows Form” philosophy depending on the theme to be managed.

Characteristics of the mentioned products, technical and photometric details and dimensional features are not binding. Without any prior notice, our company retains the right to perform any modification deemed necessary to our needs.

Any commercial name, brand, graphic design or logo hereby represented is sole property of the rightful owners, and is used solely for the sake of comprehension. Reproduction, even partial, of this catalogue is strictly forbidden.

UNI ISO 9001:2015 CERTIFICATION

FRANCESCONI