

EASY LINE - Frost LLTW4

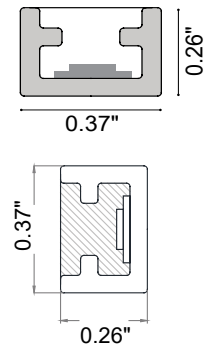
EASY LINE is a vertical, bendable LED strip that is IP65-IP68 rated ideal for fountains or swimming pools for panel installation in reinforced concrete with tiles or pool liner. It is available in Transparent, Frost, Clear or Total Light with static white, tunable white or RGB, and guarantees protection against UV rays and the corrosive action of salt and sodium hypochlorite. EASY LINE Frost has opal resin with a white outercasing. **Not cuttable in the field.**



TECHNICAL DATA

Wattage	12W / 3.28 ft (1 m)
Power Supply	Remote Fountain/Pool Approved 24VDC Power Supply, not included. See page 2.
Construction	Body: Opal Polyurethane Resin Outercase: White PVC
CCT	2200K-3200K (120+120 LED / 3.28')
CRI	85
Delivered Lumens	800 lm / 3.28' (1 m)
Efficacy	66.7 lm/W
Optics	120°
Fixture Dimensions	0.37" w x 0.26" h x Various Lengths
Bend Radius	2.36"
LED Source	SMD 3014
LED Spacing	120+120 LED per 3.28 ft (1 m), 0.17" between LEDs
Lumen Maintenance	L80,B10>50,000 hrs
Color Consistency	2-3-Step MacAdam
Operating Temp.	-22°F to 131°F
IP Rating	IP65 / IP68

Fixture Dimensions



NOT CUTTABLE IN THE FIELD
MUST USE SUITABLE APPROVED FOUNTAIN & SWIMMING POOL POWER SUPPLY WHICH IS REMOTELY MOUNTED

ORDERING INFORMATION

Example: LLTW4E-24.68.FX.US. Power Supplies / Accessories ordered separately.

LLTW4E	-	24	.		.	F	.	X	.	US
Model No.		Power		IP Rating				Cable Exit		
LLTW4E - 120+120 LED / 3.28' (1 m)		24 - 24VDC		65 - IP65 68 - IP68		F - Frost		X - End Feed		US
<div style="border: 1px solid red; padding: 5px; margin-top: 10px;"> <p>NOTE: Available in lengths up to 75 feet. Please specify length when ordering.</p> </div>										

Job Name/Date:

Fixture Type Designation:

SUGGESTED POWER SUPPLIES

24VDC - **TO BE USED WITH FOUNTAIN / SWIMMING POOLS**

Part Number	Description	Input/Output	# of Fixtures
FPV-100110024	ELV / TRIAC & 0-10V Dimming (100 to 10%)	120-277VAC to 24VDC, 96W, Class 2, IP66, NEMA 4X	1-6
FPV-100000024	Non-Dim	120-277VAC to 24VDC, 100W, Class 2, IP66, NEMA 4X	1-6
FPV-100100024	0-10V Dimming (2 Channels)	120-277VAC to 24VDC, 100W, Class 2, IP66, NEMA 4X	1-12

DRIVERS IN NEMA 4X ENCLOSURE - **FOR INDOOR/OUTDOOR USE ONLY**

Remote 24VDC - ELV / TRIAC / 0-10V



PPLT00715

Part Number	Description	Input/Output	# of Fixtures
PPLT00715	ELV / TRIAC / 0-10V Dimming to 0.1%	120-277VAC to 24VDC, 96W, Class 2, WET/DAMP	1-6

Suggested Lutron Compatible - **FOR INDOOR/OUTDOOR USE ONLY**

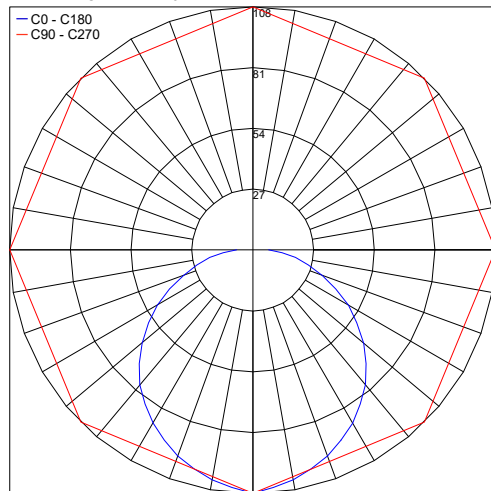
Part Number	Option	Lutron SKU	Dim Range	Description	Input/Output	# of Fixtures
PPLT00273	L3DAE / L3DA3W	L3DA	100%-1%	Hi-Lume™ 1% EcoSystem™ or 1% 3-Wire LED Driver	120-277VAC to 24VDC, 40W, Class 2	1-2
PPLT00530	L3DAE / L3DA3W	L3DA	100%-1%	Hi-Lume™ 1% EcoSystem™ or 1% 3-Wire LED Driver	120-277VAC to 24VDC, 96W, Class 2	1-6

For other power supply options consult factory.

PHOTOMETRIC DATA

2600K

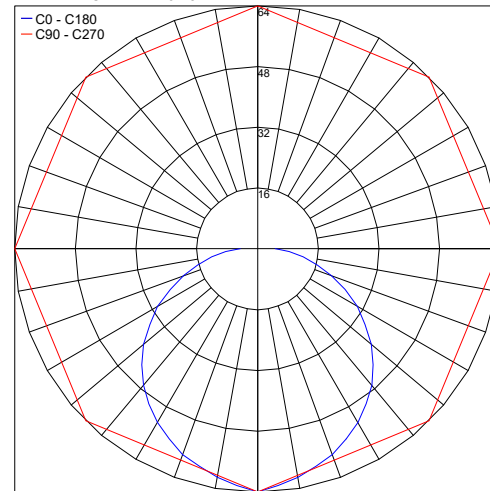
Maximum Candela = 107.7



PHOTOMETRIC FILENAME : EASY LINE FROST - LLTW4.24.68.F.2600K.IES

3400K

Maximum Candela = 64.3



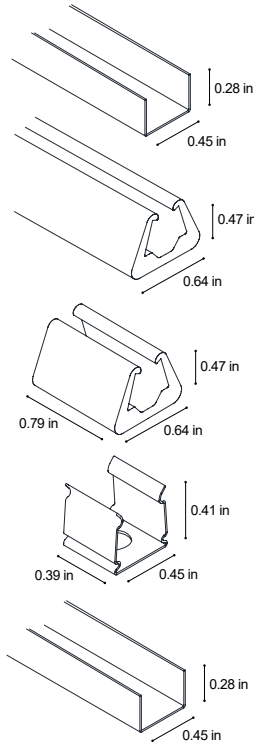
PHOTOMETRIC FILENAME : EASY LINE FROST - LLTW4.24.68.F.COLD 3400K.IES

Job Name/Date:

Fixture Type Designation:

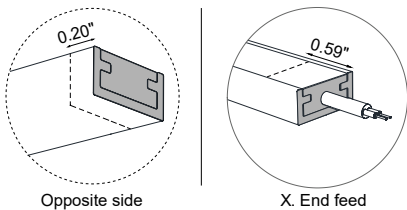
ACCESSORIES

Installation / Mounting for 0.37x0.26 inch



Code	Finishing	Description
PRO-AL-9.5x6.5-AL	Aluminum	Rigid guide L max 9.84 ft
OUT-S-9.5x6.5.W OUT-S-9.5x6.5.F	White Opal	Silicone profile
CLIP-S-9.5x6.5.W CLIP-S-9.5x6.5.F	White Opal	Silicone clip
CLIP-AC-9.5x6.5-AC	AISI 304 harmonic steel	Steel clip
PRO-AC-9.5x6.5-AC	AISI 316 harmonic steel	Rigid guide L max 8.20 ft

POWER CABLE EXIT / AREA WITH REDUCED LIGHT



Job Name/Date:

Fixture Type Designation: