

# FLEA MAXI DOWNLIGHT

FLEA is a family of IP67-rated round or square recessed wall / in-grade or downlights available in static white, RGBW, and and underwater version (IP68). FLEA MAXI Downlight is offered round (Ø3.2") or square (3.2" sq.) with 3 static color temperatures, 5 optics options, and 3 standard finishes.



FLEA MAXI Downlight Round



FLEA MAXI Downlight Square

Fixture Dimensions - See page 2

## TECHNICAL DATA

<b>Wattage</b>	8.5W
<b>Power Supply</b>	Remote 24VDC, not included. See page 2
<b>Construction</b>	Housing: Anticorodal Aluminum Lens: Extra Clear Tempered Glass
<b>CCT</b>	2700K, 3000K, 4000K
<b>BUG Rating</b>	B1-U0-G0 (3000K)
<b>CRI</b>	>80
<b>Delivered Lumens</b>	464 lm/W (3000K, 10°)
<b>Efficacy</b>	54.6 lm/W (3000K, 10°)
<b>Optics</b>	10°, 25°, 45°, 10°x40°, Diffuse
<b>Finishes</b>	Anodized Matte Black, Anodized Aluminum, AISI 316L Stainless Steel
<b>Lumen Maintenance</b>	90,000 hrs, L90 (Ta 35°C)
<b>Fixture Dimensions</b>	See page 2
<b>IP Rating</b>	IP67
<b>Impact Resistance</b>	IK10

## ORDERING INFORMATION

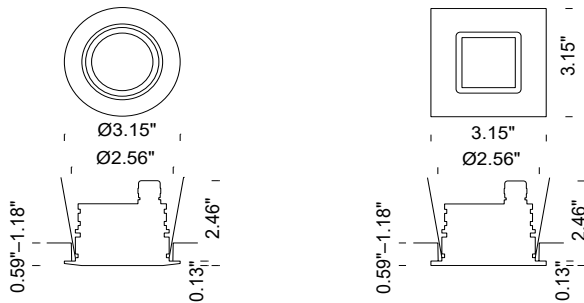
Example: F10157.3.2.05.US. Power Supplies / Accessories ordered separately.

				US
<b>Model No.</b>	<b>Finish</b>	<b>CCT</b>	<b>Optics</b>	
F20157 - Round	3 - Anodized Matte Black	2 - 2700K	01 - Spot 10°	US
F20158 - Square	5 - Anodized Aluminum	3 - 3000K	05 - Diffuse	
	6 - AISI 316L Stainless Steel	4 - 4000K	36 - Medium 25°	
			32 - Wide 45°	
			38 - 10°x40°	

Job Name/Date:

Fixture Type Designation:

## FIXTURE DIMENSIONS



FLEA MAXI Downlight Round

FLEA MAXI Downlight Square

## SUGGESTED POWER SUPPLIES

24VDC

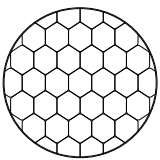
Part Number	Description	Input/Output	# of Fixtures
<a href="#">PPLT00680</a>	ELV / TRIAC & 0-10V Dimming (100 to 0%)	120-277VAC to 24VDC, 20W, Class 2, IP66	1-1
<a href="#">PPLT00690</a>	ELV / TRIAC & 0-10V Dimming	120-277VAC to 24VDC, 40W, Class 2, IP67	1-3
<a href="#">PPLT00691</a>	Non-Dim	120-277VAC to 24VDC, 60W, Class 2, IP67	1-5
<a href="#">PPLT00543</a>	0-10V Dimming to 15% (-40°C / -40°F cold weather start)	120-277VAC to 24VDC, 100W, Class 2	1-9

## Suggested Lutron Compatible

Part Number	Option	Lutron SKU	Dim Range	Description	Input/Output	# of Fixtures
<a href="#">PPLT00273</a>	L3DAE / L3DA3W	L3DA	100%-1%	Hi-Lume™ 1% EcoSystem™ or 1% 3-Wire LED Driver	120-277VAC to 24VDC, 40W, Class 2	1-3
<a href="#">PPLT00530</a>	L3DAE / L3DA3W	L3DA	100%-1%	Hi-Lume™ 1% EcoSystem™ or 1% 3-Wire LED Driver	120-277VAC to 24VDC, 96W, Class 2	1-9

For other power supply options consult factory.

## ACCESSORIES



### A1008

Honeycomb Screen

Order together with the product

Job Name/Date:

Fixture Type Designation:

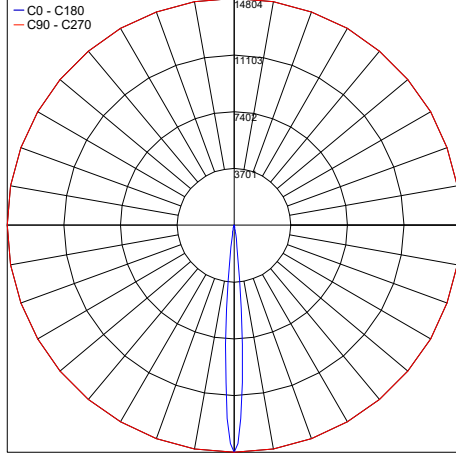
# FLEA MAXI DOWNLIGHT

## PHOTOMETRIC DATA

Note: All photometry is 3000K

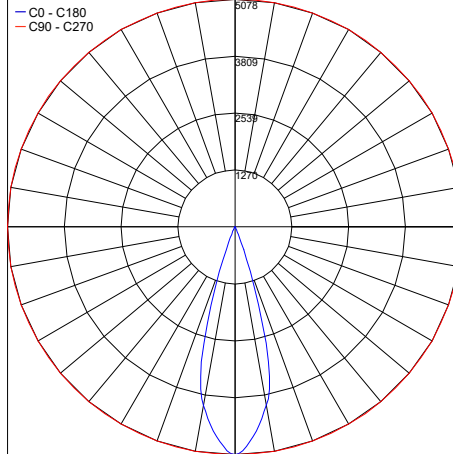
ROUND or SQUARE

Maximum Candela = 14804



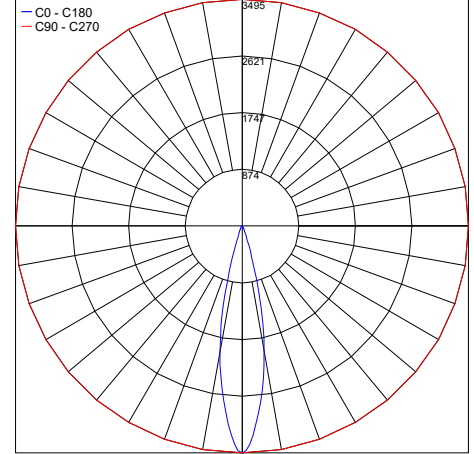
PHOTOMETRIC FILENAME : FLEA MAXI DOWNLIGHT RD 30K 10°-20157.X.3.01.IES

Maximum Candela = 5078.2



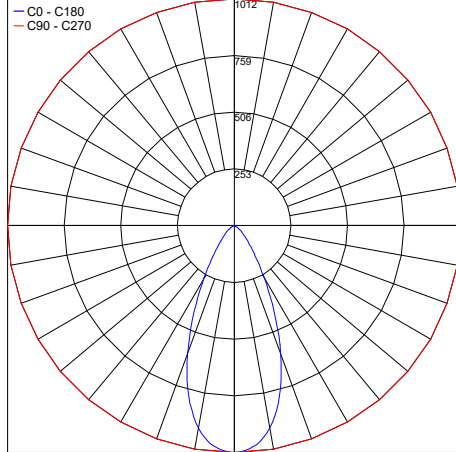
PHOTOMETRIC FILENAME : FLEA MAXI DOWNLIGHT RD 30K 10°X40°-20157.X.3.38.IES

Maximum Candela = 3494.8



PHOTOMETRIC FILENAME : FLEA MAXI DOWNLIGHT RD 30K 25°-20157.X.3.36.IES

Maximum Candela = 1012



PHOTOMETRIC FILENAME : FLEA MAXI DOWNLIGHT RD 30K 45°-20157.X.3.32.IES

Job Name/Date:

Fixture Type Designation: