

# FLEA MAXI UNDERWATER

FLEA is a family of IP67-rated round or square recessed wall / in-grade or downlights available in static white, RGBW, and and underwater version (IP68). FLEA MAXI Underwater is IP68-rated, and offered round (Ø3.2") or as a floodlight (Ø2.6") with 2 static color temperatures, 5 optics options, and made of ASIS 316L Stainless Steel.



FLEA MAXI Underwater Round



FLEA MAXI Underwater Spot

Fixture Dimensions - See page 2

## TECHNICAL DATA

<b>Wattage</b>	8.5W
<b>Power Supply</b>	Remote Fountain/Pool Approved 24VDC Power Supply, not included. See page 2.
<b>Construction</b>	Housing: Anticorodal Aluminum Lens: Extra Clear Tempered Glass
<b>CCT</b>	3000K, 4000K
<b>BUG Rating</b>	B-U0-G0 (3000K)
<b>CRI</b>	>80
<b>Delivered Lumens</b>	464 lm/W (3000K, 10°)
<b>Efficacy</b>	54.6 lm/W (3000K, 10°)
<b>Optics</b>	10°, 25°, 45°, 10°x40°, Diffuse
<b>Finishes</b>	AISI 316L Stainless Steel
<b>Lumen Maintenance</b>	90,000 hrs. L90 (Ta 35°C)
<b>Fixture Dimensions</b>	See page 2
<b>IP Rating</b>	IP68 (9.84 ft)
<b>Impact Resistance</b>	—

## ORDERING INFORMATION

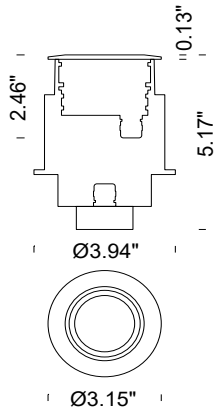
Example: F50127.6.3.02.US. Power Supplies / Accessories ordered separately.

	6			US
<b>Model No.</b>	<b>Finish</b>	<b>CCT</b>	<b>Optics</b>	
F50127 - Round	6 - AISI 316L Stainless Steel	3 - 3000K	02 - Spot 10°	US
F50142 - Spot		4 - 4000K	05 - Diffuse	
			36 - Medium 25°	
			32 - Wide 45°	
			38 - 10°x40°	

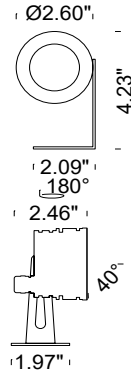
Job Name/Date:

Fixture Type Designation:

## FIXTURE DIMENSIONS



FLEA MAXI Underwater Round



FLEA MAXI Underwater Spot

## SUGGESTED POWER SUPPLIES

24VDC

Part Number	Description	Input/Output	# of Fixtures
<a href="#">FPV-100110024</a>	ELV / TRIAC & 0-10V Dimming (100 to 0%)	120-277VAC to 24VDC, 96W, Class 2, NEMA 4	1-9
<a href="#">FPV-100000024</a>	Non-Dim	120-277VAC to 24VDC, 100W, Class 2, NEMA 4	1-9
<a href="#">FPV-100100024</a>	0-10V Dimming (2 channels)	120-277VAC to 24VDC, 100W, Class 2, NEMA 4	1-18

For other power supply options consult factory.

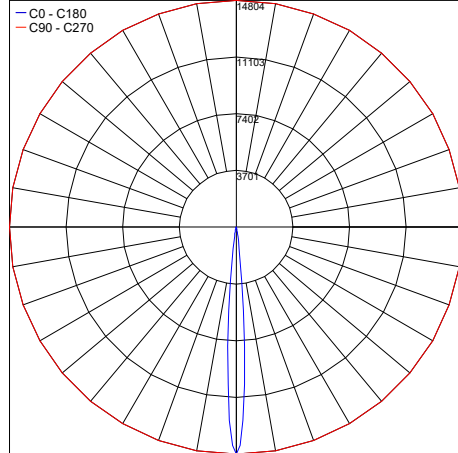
Job Name/Date:

Fixture Type Designation:

## PHOTOMETRIC DATA - Note: All photometry is 3000K

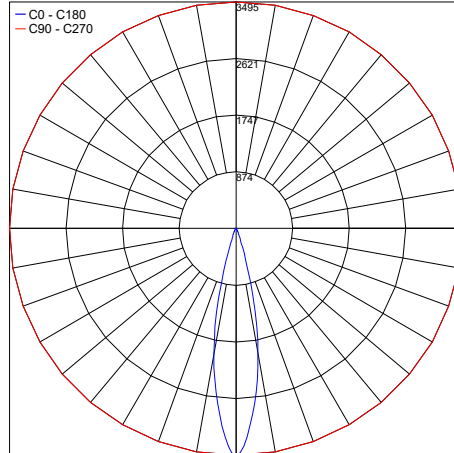
### ROUND

Maximum Candela = 14804



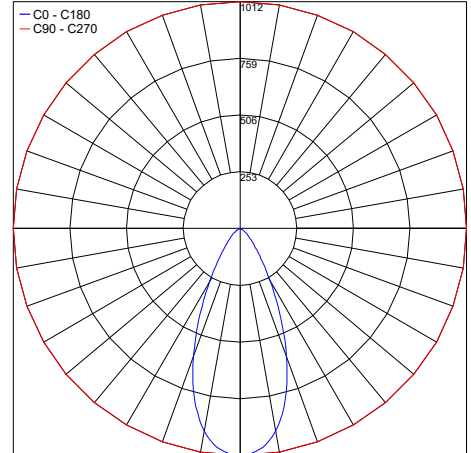
PHOTOMETRIC FILENAME : FLEA MAXI UNDERWATER RD 30K 10°-50127.X.3.01.IES

Maximum Candela = 3494.8



PHOTOMETRIC FILENAME : FLEA MAXI UNDERWATER RD 30K 25°-50127.X.3.36.IES

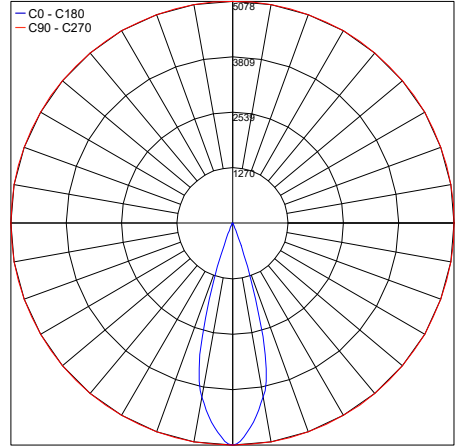
Maximum Candela = 1012



PHOTOMETRIC FILENAME : FLEA MAXI UNDERWATER RD 30K 45°-50127.X.3.32.IES

### ROUND

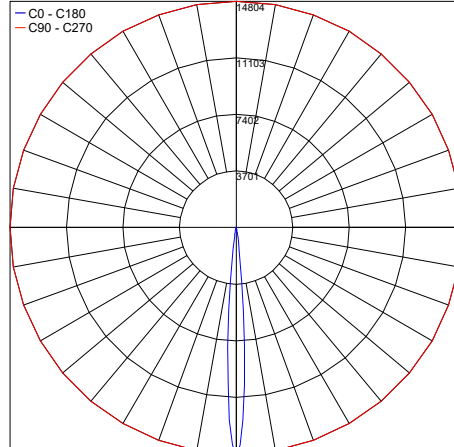
Maximum Candela = 5078.2



PHOTOMETRIC FILENAME : FLEA MAXI UNDERWATER RD 30K 10°X40°-50127.X.3.38.IES

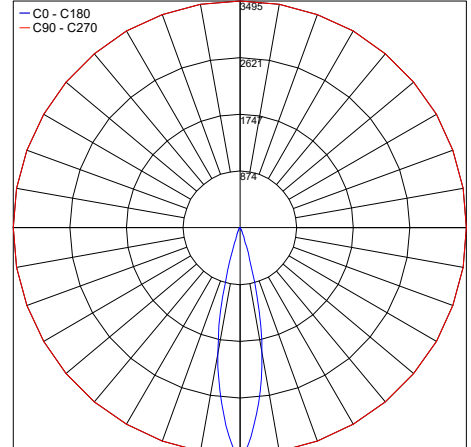
### SPOTLIGHT

Maximum Candela = 14804



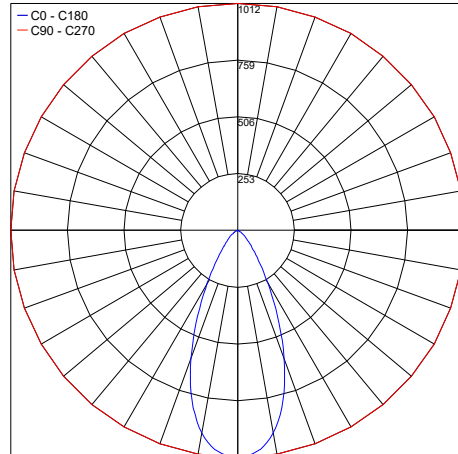
PHOTOMETRIC FILENAME : FLEA MAXI UNDERWATER SPOT 30K 10°-50142.X.3.01.IES

Maximum Candela = 3494.8



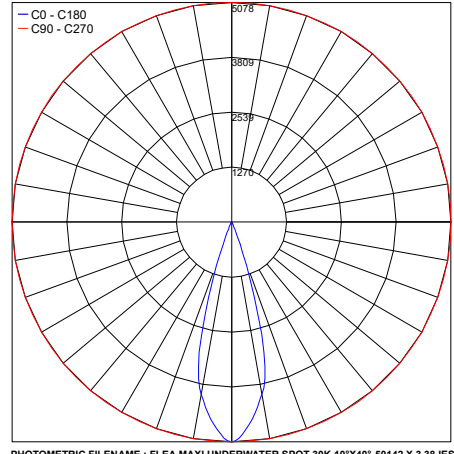
PHOTOMETRIC FILENAME : FLEA MAXI UNDERWATER SPOT 30K 25°-50142.X.3.36.IES

Maximum Candela = 1012



PHOTOMETRIC FILENAME : FLEA MAXI UNDERWATER SPOT 30K 45°-50142.X.3.32.IES

Maximum Candela = 5078.2



PHOTOMETRIC FILENAME : FLEA MAXI UNDERWATER SPOT 30K 10°X40°-50142.X.3.38.IES

Job Name/Date:

Fixture Type Designation: