

FLEA MINI DOWNLIGHT

FLEA is a family of IP67-rated round or square recessed wall / in-grade or downlights available in static white, RGBW, and and underwater version (IP68). FLEA MINI Downlight is offered round (Ø1.4") or square (1.4" sq.) with 3 static color temperatures, 4 optics options, and 3 standard finishes.



FLEA MINI Downlight Round



FLEA MINI Downlight Square

Fixture Dimensions - See page 2

TECHNICAL DATA

Wattage	2W
Power Supply	Remote 24VDC, not included, See page 2.
Construction	Housing: Anticorodal Aluminum Lens: Extra Clear Tempered Glass
CCT	2700K, 3000K, 4000K
BUG Rating	B0-U0-G0 (3000K)
CRI	>80
Delivered Lumens	150 lm (3000K, 10°)
Efficacy	75 lm/W (3000K, 10°)
Optics	10°, 30°, 14°x20°, Diffuse
Finishes	Anodized Matte Black, Anodized Aluminum, AISI 316L Stainless Steel
Lumen Maintenance	90,000 hrs, L90 (Ta 35°C)
Fixture Dimensions	See page 2
IP Rating	IP67
Impact Resistance	IK10

ORDERING INFORMATION

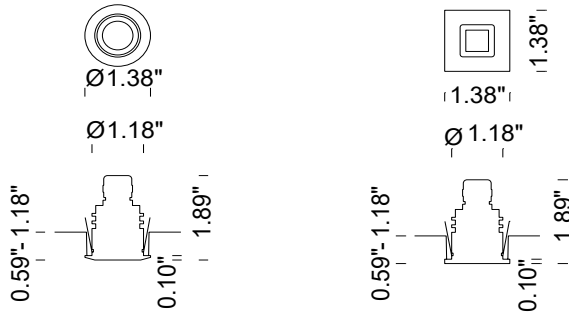
Example: F20110.3.2.05.US. Power Supplies / Accessories ordered separately.

				US
Model No.	Finish	CCT	Optics	
F20110 - Round	3 - Anodized Matte Black	2 - 2700K	01 - Spot 10°	US
F20111 - Square	5 - Anodized Aluminum	3 - 3000K	02 - Medium 30°	
	6 - AISI 316L Stainless Steel	4 - 4000K	04 - Elliptical 14°x20°	
			05 - Diffused	

Job Name/Date:

Fixture Type Designation:

FIXTURE DIMENSIONS



FLEA MINI Downlight Round

FLEA MINI Downlight Square

SUGGESTED POWER SUPPLIES

24VDC

Part Number	Description	Input/Output	# of Fixtures
PPLT00128	Non-Dim	120VAC to 24VDC, 6W, Class 2, IP65	1-2
PPLT00680	ELV / TRIAC & 0-10V Dimming (100 to 0%)	120-277VAC to 24VDC, 20W, Class 2, IP66	1-8
PPLT00690	ELV / TRIAC & 0-10V Dimming	120-277VAC to 24VDC, 40W, Class 2, IP67	1-16
PPLT00691	Non-Dim	120-277VAC to 24VDC, 60W, Class 2, IP67	1-24
PPLT00543	0-10V Dimming to 15% (-40°C / -40°F cold weather start)	120-277VAC to 24VDC, 100W, Class 2	1-40

Suggested Lutron Compatible

Part Number	Option	Lutron SKU	Dim Range	Description	Input/Output	# of Fixtures
PPLT00273	L3DAE / L3DA3W	L3DA	100%-1%	Hi-Lume™ 1% EcoSystem™ or 1% 3-Wire LED Driver	120-277VAC to 24VDC, 40W, Class 2	1-16
PPLT00530	L3DAE / L3DA3W	L3DA	100%-1%	Hi-Lume™ 1% EcoSystem™ or 1% 3-Wire LED Driver	120-277VAC to 24VDC, 96W, Class 2	1-38

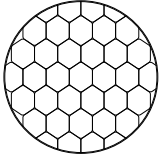
For other power supply options consult factory.

Job Name/Date:

Fixture Type Designation:

FLEA MINI DOWNLIGHT

ACCESSORIES



A1006

Honeycomb Screen

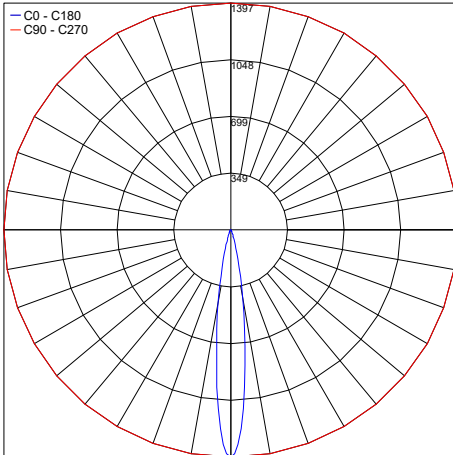
Order together with the product

PHOTOMETRIC DATA

Note: All photometry is 3000K

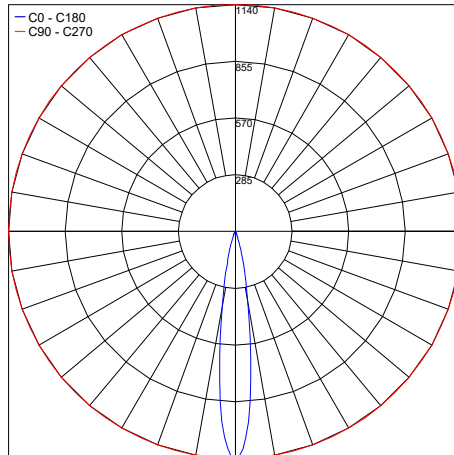
ROUND

Maximum Candela = 1397.5



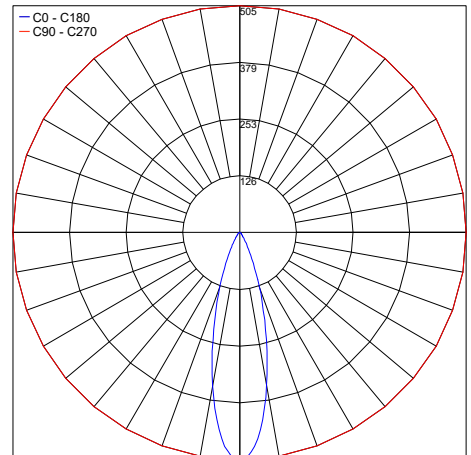
PHOTOMETRIC FILENAME : FLEA MINI DOWNLIGHT RD 30K 10°-20110.X.3.01.IES

Maximum Candela = 1139.6



PHOTOMETRIC FILENAME : FLEA MINI DOWNLIGHT RD 30K 14°X20°-20110.X.3.04.IES

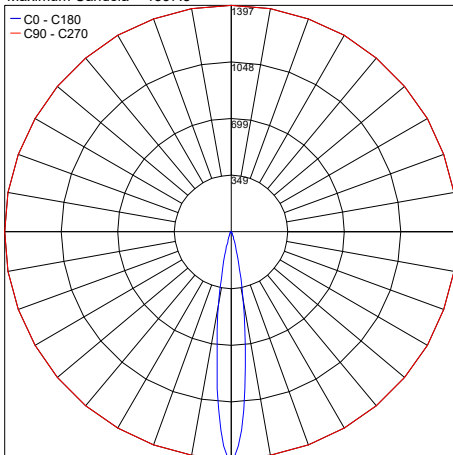
Maximum Candela = 505.5



PHOTOMETRIC FILENAME : FLEA MINI DOWNLIGHT RD 30K 30°-20110.X.3.02.IES

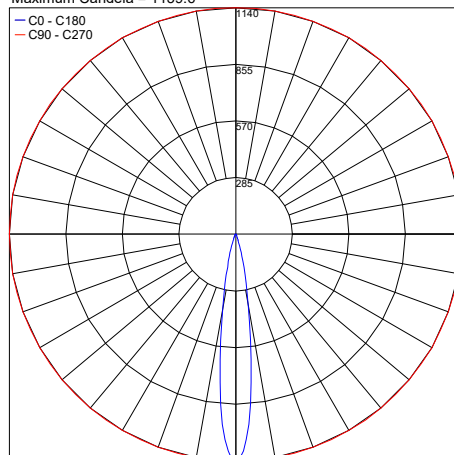
SQUARE

Maximum Candela = 1397.5



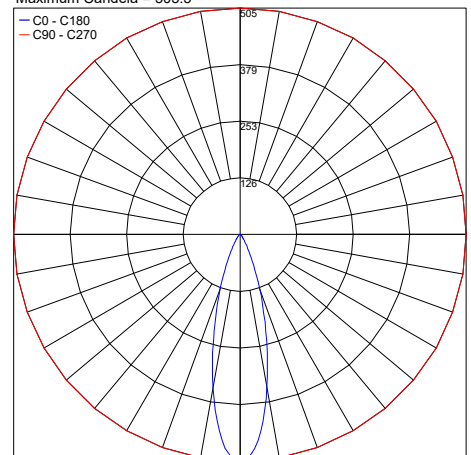
PHOTOMETRIC FILENAME : FLEA MINI DOWNLIGHT SQ 30K 10°-20111.X.3.01.IES

Maximum Candela = 1139.6



PHOTOMETRIC FILENAME : FLEA MINI DOWNLIGHT SQ 30K 14°X20°-20111.X.3.04.IES

Maximum Candela = 505.5



PHOTOMETRIC FILENAME : FLEA MINI DOWNLIGHT SQ 30K 30°-20111.X.3.02.IES

Job Name/Date:

Fixture Type Designation: