

# FLEA UNDERWATER

FLEA is a family of IP67-rated round or square recessed wall / in-grade or downlights available in static white, RGBW, and and underwater version (IP68). FLEA Underwater is IP68-rated, and offered round (Ø2.0") or as a floodlight (Ø1.5") with 2 static color temperatures, 4 optics options, and made of AISI 316L Stainless Steel.



FLEA Underwater Round



FLEA Underwater Spot

Fixture Dimensions - See page 2

## TECHNICAL DATA

<b>Wattage</b>	4W
<b>Power Supply</b>	Remote Fountain/Pool Approved 24VDC Power Supply, not included. See page 2.
<b>Construction</b>	Housing: Anticorodal Aluminum Lens: Extra Clear Tempered Glass
<b>CCT</b>	3000K, 4000K
<b>BUG Rating</b>	B1-U1-G0 (10°, 30° Both - 3000K) B1-U0-G0 (14°x20° Both - 3000K)
<b>CRI</b>	>80
<b>Delivered Lumens</b>	411 lm (3000K, 10°)
<b>Efficacy</b>	102.8 lm/W (3000K, 10°)
<b>Optics</b>	10°, 30°, 14°x20°, Diffuse
<b>Finishes</b>	AISI 316L Stainless Steel
<b>Lumen Maintenance</b>	90,000 hrs, L90 (Ta 35°C)
<b>Fixture Dimensions</b>	See page 2
<b>IP Rating</b>	IP68 (9.84 ft)
<b>Impact Resistance</b>	—

## ORDERING INFORMATION

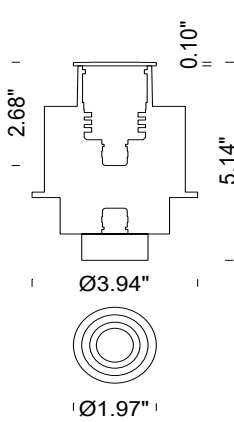
Example: F50114.6.3.05.US. Power Supplies / Accessories ordered separately.

	6			US
<b>Model No.</b>	<b>Finish</b>	<b>CCT</b>	<b>Optics</b>	
F50114 - Round	6 - AISI 316L Stainless Steel	3 - 3000K	01 - Spot 10°	US
F50134 - Spot		4 - 4000K	02 - Medium 30°	
			04 - Elliptical 14°x20°	
			05 - Diffuse	

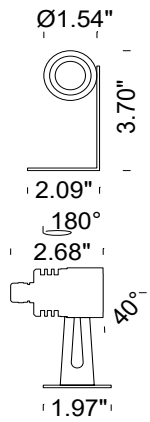
Job Name/Date:

Fixture Type Designation:

## FIXTURE DIMENSIONS



FLEA Underwater Round



FLEA Underwater Spot

## SUGGESTED POWER SUPPLIES

24VDC

Part Number	Description	Input/Output	# of Fixtures
<a href="#">FPV-100110024</a>	ELV / TRIAC & 0-10V Dimming (100 to 0%)	120-277VAC to 24VDC, 96W, Class 2, NEMA 4	1-19
<a href="#">FPV-100000024</a>	Non-Dim	120-277VAC to 24VDC, 100W, Class 2, NEMA 4	1-20
<a href="#">FPV-100100024</a>	0-10V Dimming (2 channels)	120-277VAC to 24VDC, 100W, Class 2, NEMA 4	1-20

For other power supply options consult factory.

Job Name/Date:

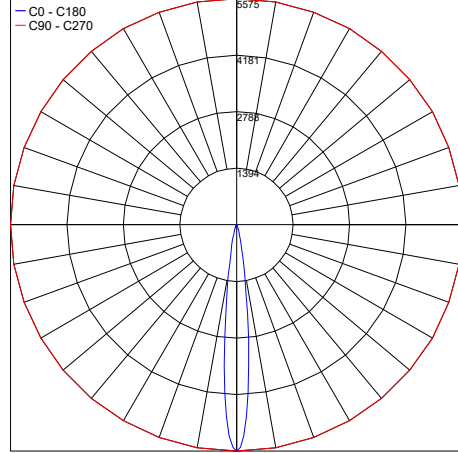
Fixture Type Designation:

## PHOTOMETRIC DATA

Note: All photometry is 3000K

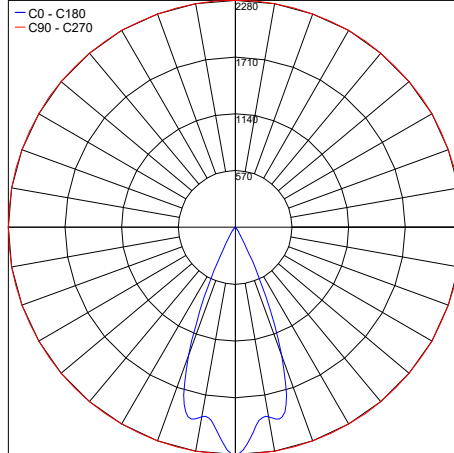
### ROUND

Maximum Candela = 5575.1



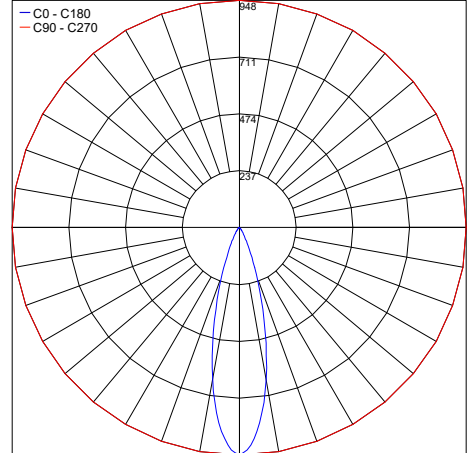
PHOTOMETRIC FILENAME : FLEA UNDERWATER RD 30K 10°-50114.X.3.01.IES

Maximum Candela = 2279.9



PHOTOMETRIC FILENAME : FLEA UNDERWATER RD 30K 14°X20°-50114.X.3.04.IES

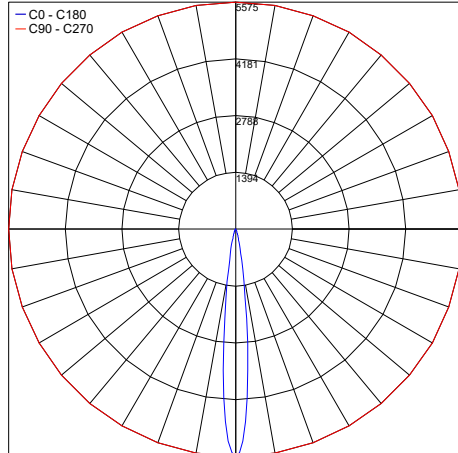
Maximum Candela = 948.4



PHOTOMETRIC FILENAME : FLEA UNDERWATER RD 30K 30°-50114.X.3.02.IES

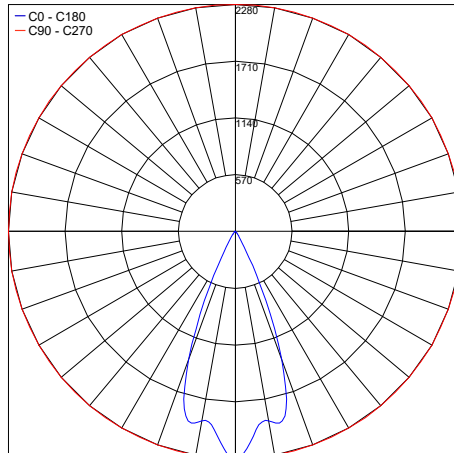
### SPOTLIGHT

Maximum Candela = 5575.1



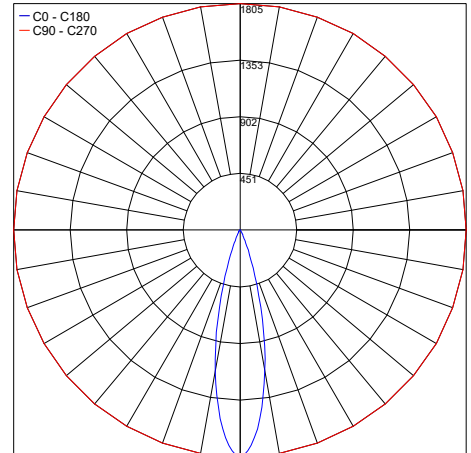
PHOTOMETRIC FILENAME : FLEA UNDERWATER SPOT 30K 10°-50134.X.3.01.IES

Maximum Candela = 2279.9



PHOTOMETRIC FILENAME : FLEA UNDERWATER SPOT 30K 14°X20°-50134.X.3.04.IES

Maximum Candela = 1804.6



PHOTOMETRIC FILENAME : FLEA UNDERWATER SPOT 30K 30°-50134.X.3.02.IES

Job Name/Date:

Fixture Type Designation: