



INSTRUCTIONS PERTAINING TO RISK OF FIRE OR INJURY TO PERSONS. READ ALL INSTRUCTIONS. IMPORTANT SAFETY INSTRUCTIONS. SAVE THESE INSTRUCTIONS.

DANGER - RISK OF SHOCK - DISCONNECT POWER BEFORE INSTALLATION! Please read all instructions before installation.

- Keep these instructions for future reference.
- Must be installed by a qualified electrician in accordance with national and local standards. Designplan is not responsible for fixtures installed without regard to these standards.
- Unauthorized alterations or tampering of product voids warranty.
- The main power connection must be in accordance with local electrical codes.
- Suitable for INDOOR applications.
- DO NOT INSTALL INSULATION WITHIN 3.0" (76 mm) OF ANY PART OF THE LUMINAIRE.

Electrical Connections:

- LED lights must be **connected in parallel** respecting polarities.
- **CHOOSE POWER SUPPLY ACCORDINGLY.** Please consider the voltage through which fixtures are fed as well as the max power consumption.
- **Connect power only if all the fixtures are connected.**
- The power supplies **MUST** be installed in aerated rooms, far from heat sources. Overworking or lack of air circulation will not permit natural dissipation.
- Use only Class 2 type electronic power supply.
- Never use switches on secondary circuit.

Maintenance

Scheduled maintenance must be carried out once a year on all lighting devices, regardless of appliance class and type of use. It must include the following operations:

- Periodically clean fixtures to remove dirt from gratings and screw heads.
- Check tightness of screws on various parts of the device.
- Check that all cable glands and cables are intact and tight. Check that the glass or plastic lens is intact, and replace it if broken or damaged.
- The internal components such as the ballast, driver, washers and screws must not show clear signs of oxidation or rust. Clear traces of rust and oxidation will indicate the presence of water inside the device.
- In the case of damage, the components must be replaced by original components or spare parts.



DROP VOLTAGE TABLE

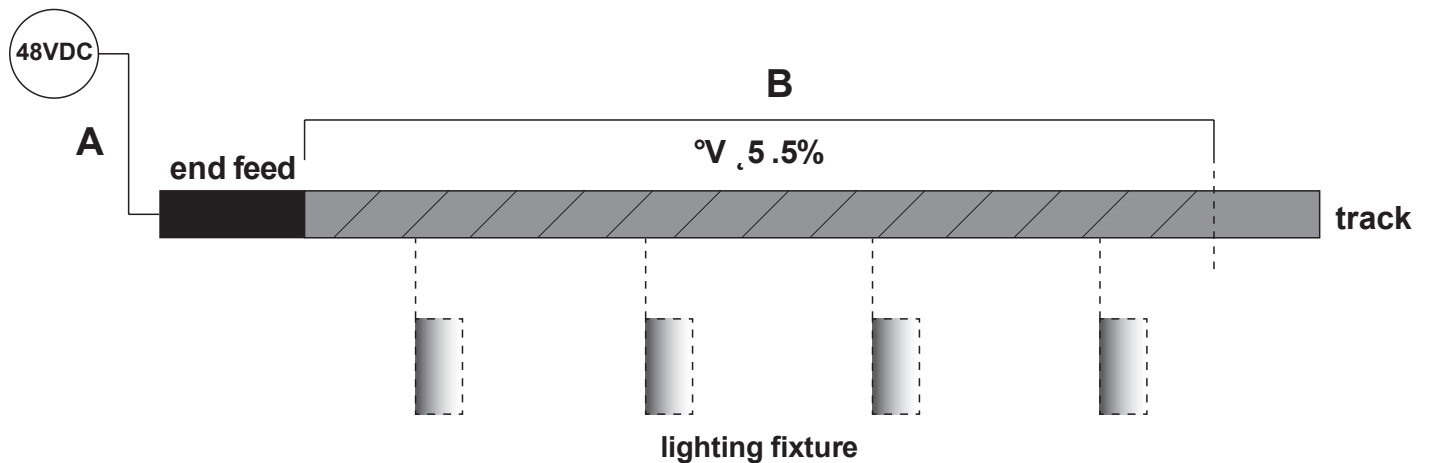
Power supply (W)	A Distance power supply/feed unit (2x1.5mm ² - 2xAWG16)			
	5m [16.4']	10m [32.8']	20m [65.6']	30m [98.4']
	B Track length with $\Delta V \leq 5.5\%$ (m) [ft]			
	(m) [ft]	(m) [ft]	(m) [ft]	(m) [ft]
60	50 [164']	50 [164']	50 [164']	50 [164']
100	50 [164']	50 [164']	40 [131']	25 [82']
150*	50 [164']	40 [131']	20 [66']	Not admitted
200*	40 [131']	30 [98']	Not admitted	Not admitted
250*	35 [115']	20 [66']	Not admitted	Not admitted

A: Distance power supply/feed unit (2x1.5mm²)

B: Track length with $\Delta V \leq 5.5\%$ (m)[ft]

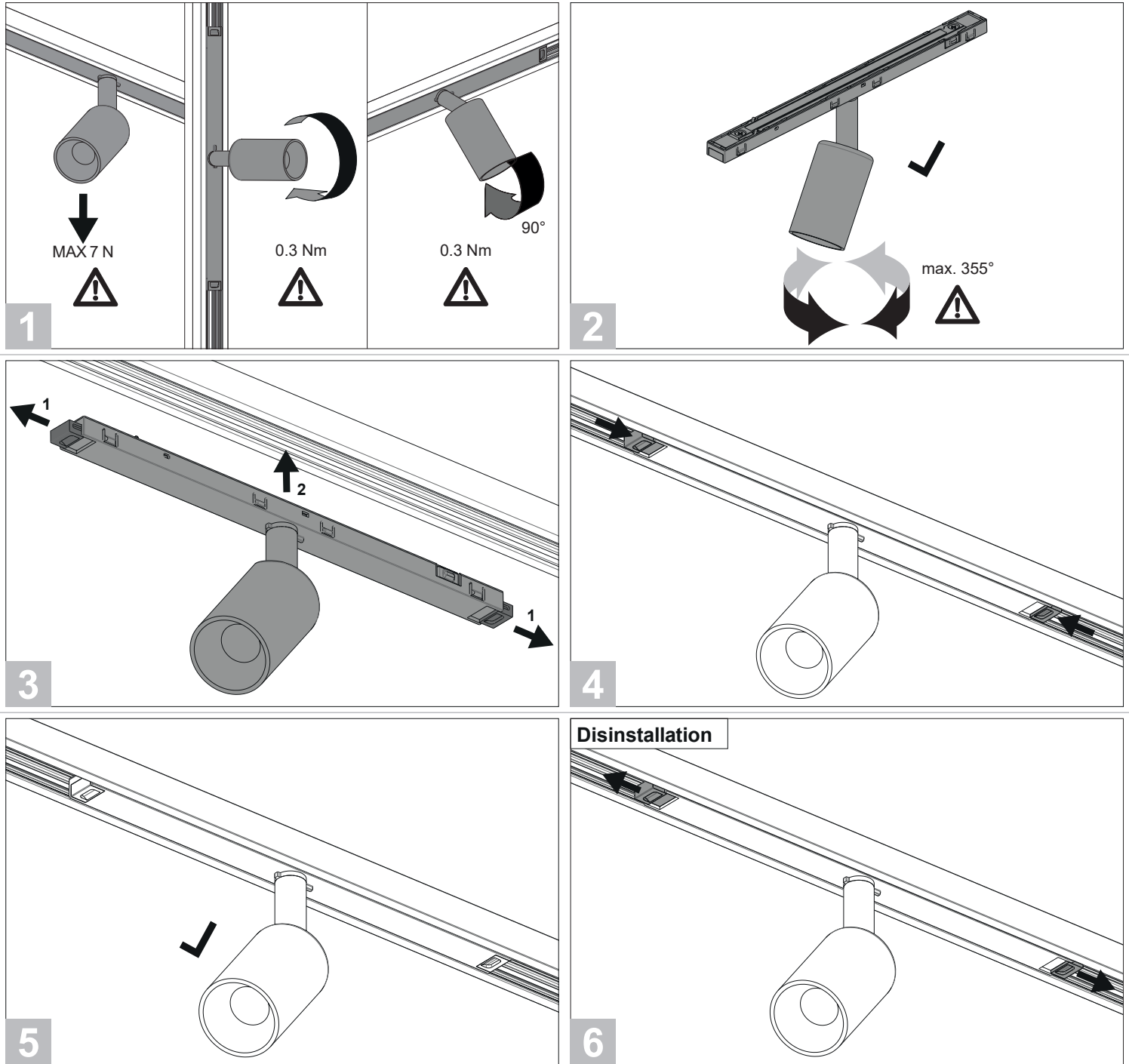
Information refers to a load equivalent to the power supplied and equally distributed on the relevant length in the table.

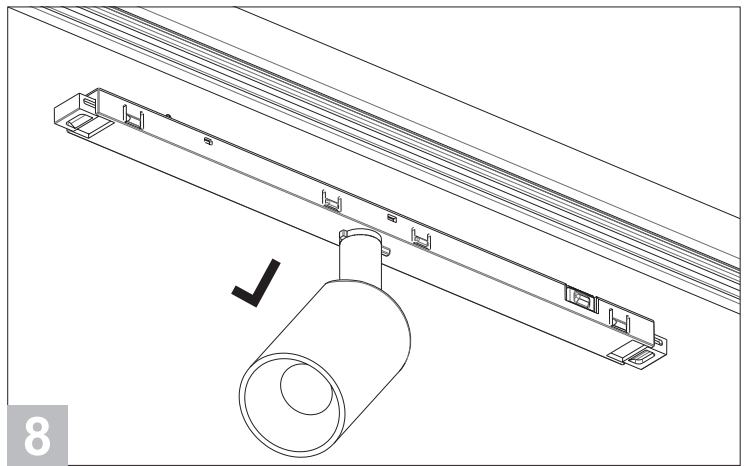
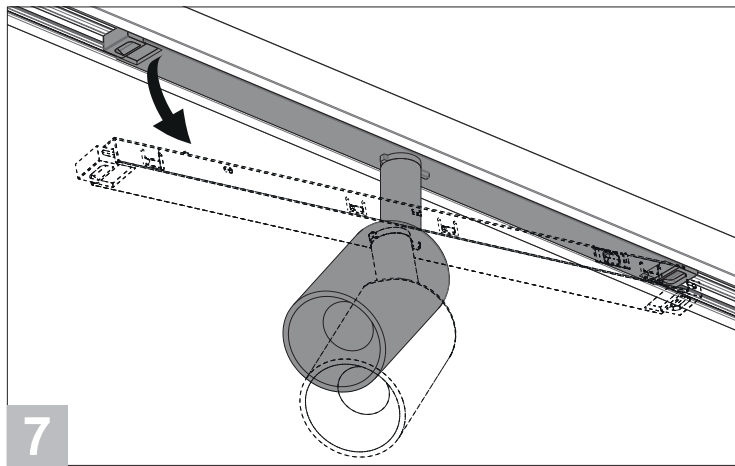
Power Supply



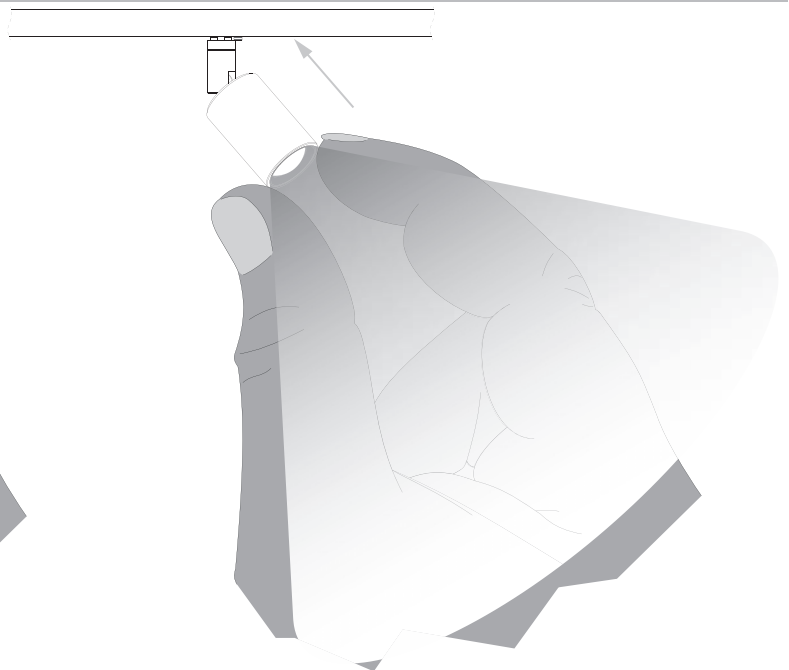
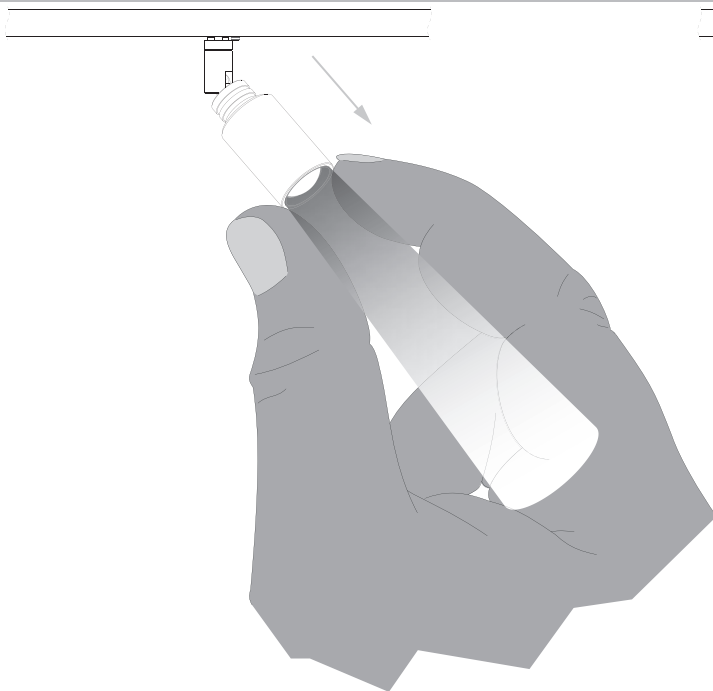
LOADS TABLE

Track reference L&L	Track section - max. weight supported
BE0030012 (3.28')	19.84 lbs
BE0030025 (6.56')	33.07 lbs

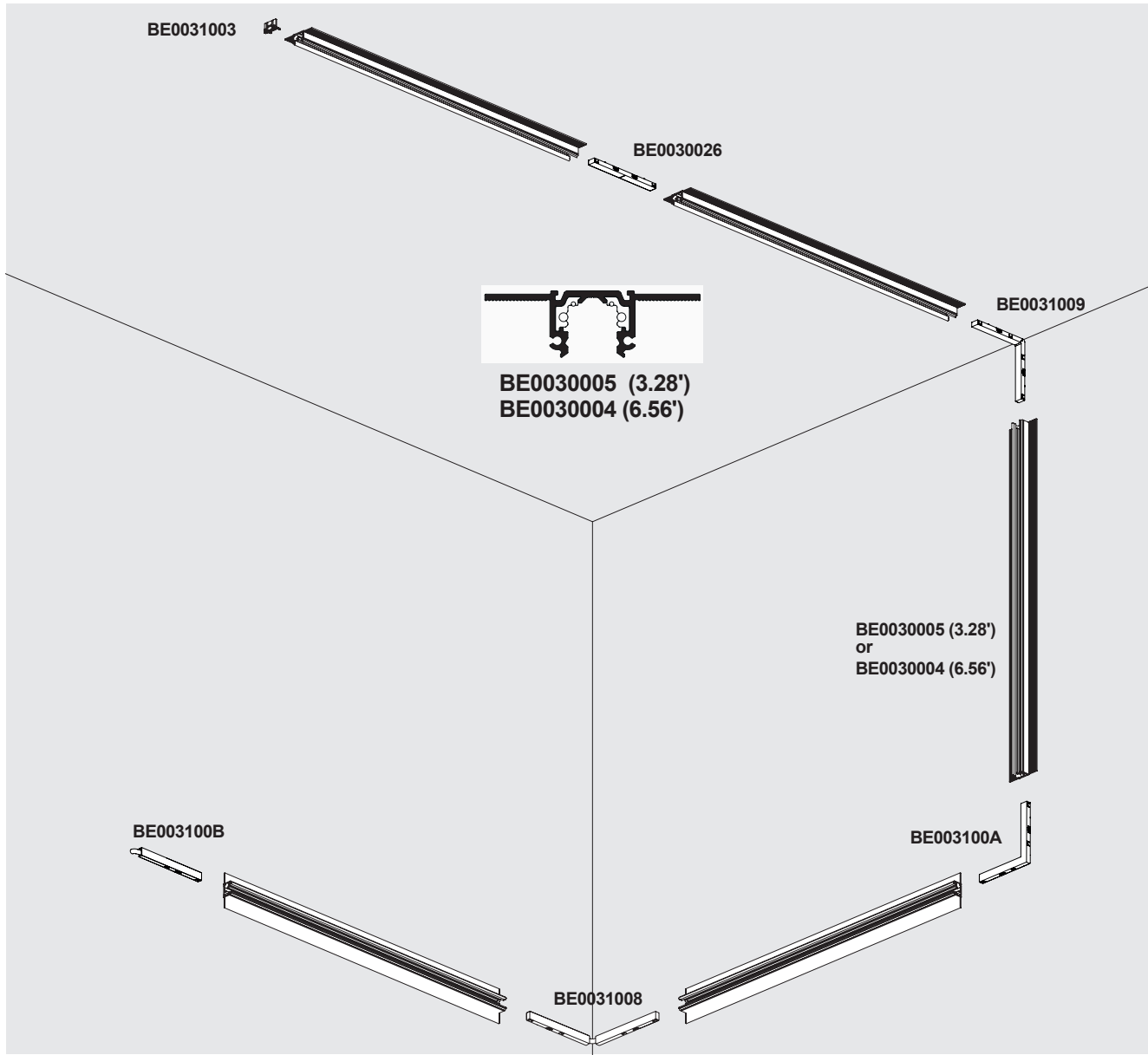




ZOOM ADJUSTMENT



Model.	min.	max.
Krill Track 1.4	22°	64°
Krill Track 2.4	9°	70°
Krill Track 3.4	18°	80°
Krill Track 4.4	17°	40°



1

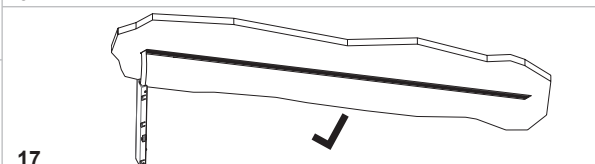
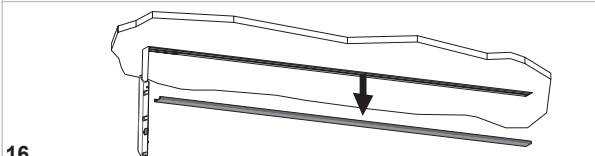
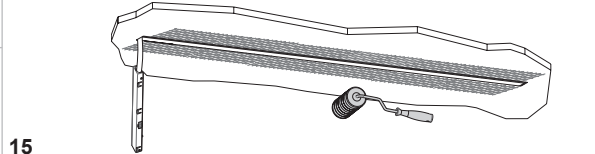
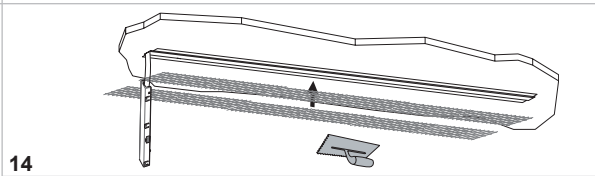
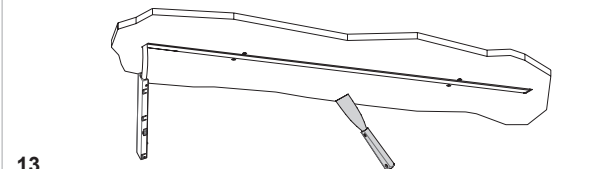
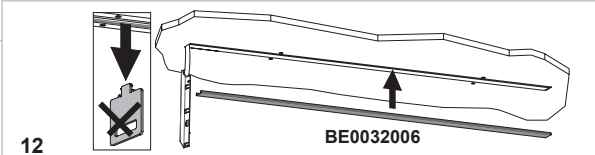
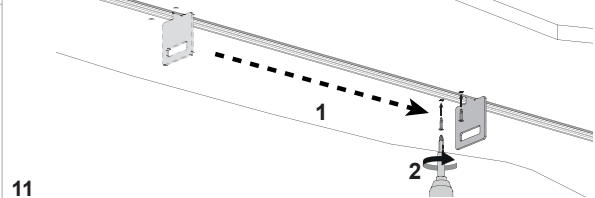
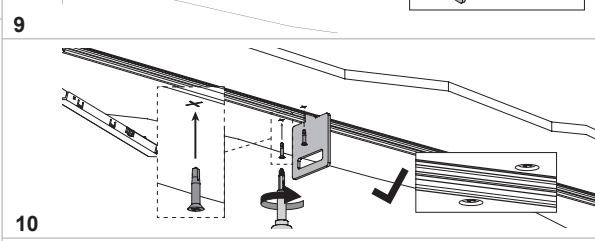
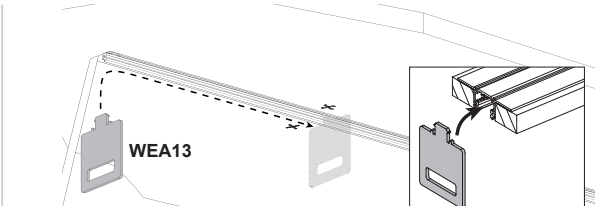
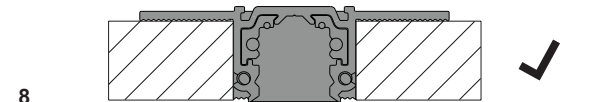
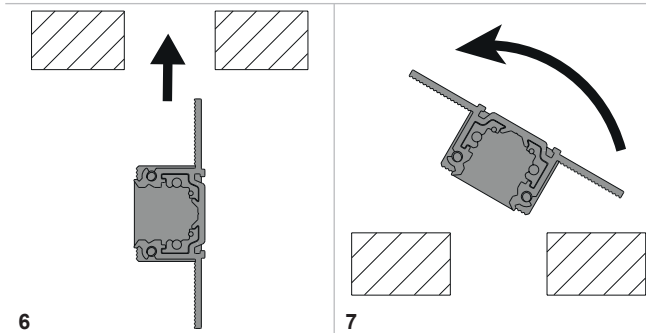
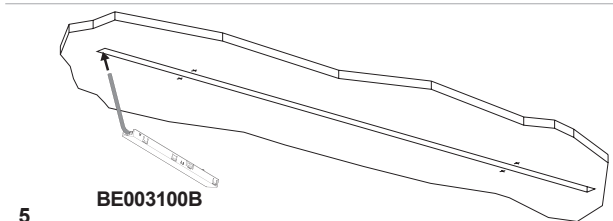
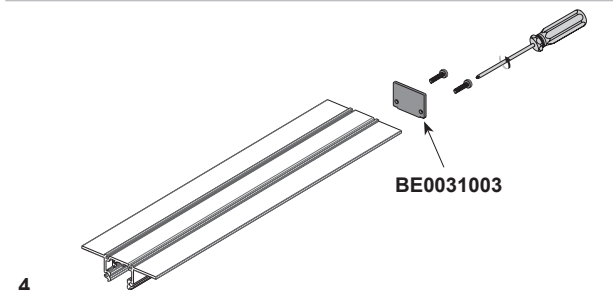
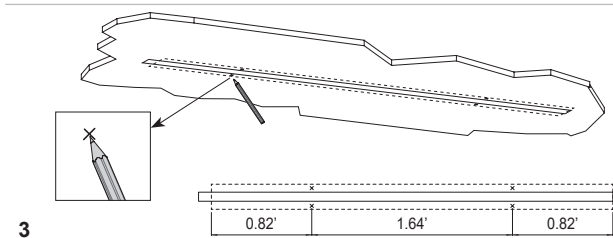
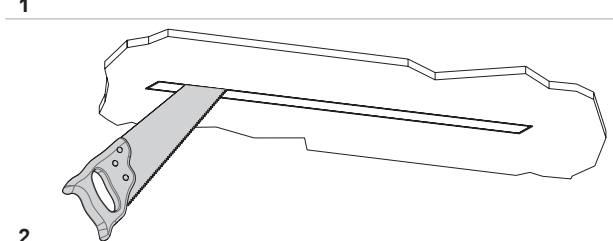
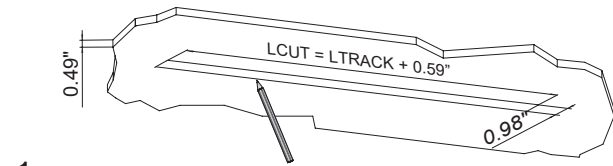
BE0030005 (3.28')
or
BE0030004 (6.56')

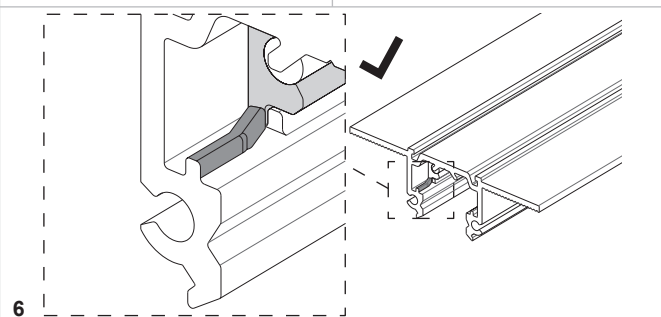
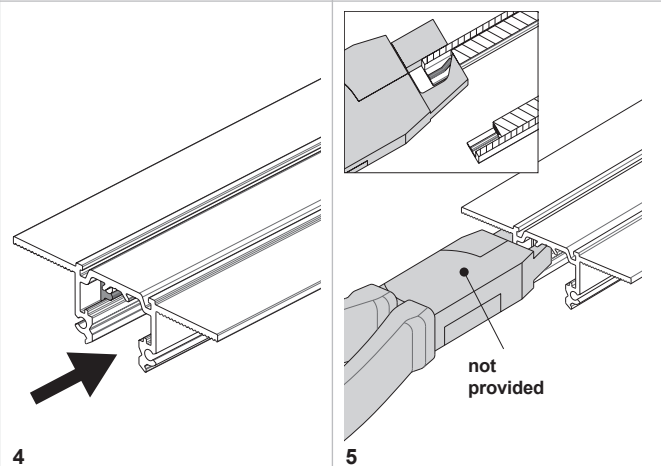
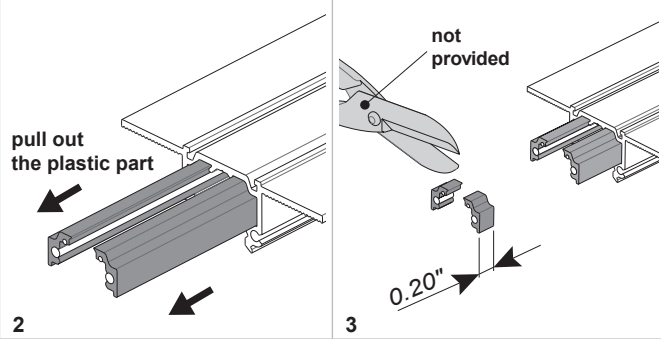
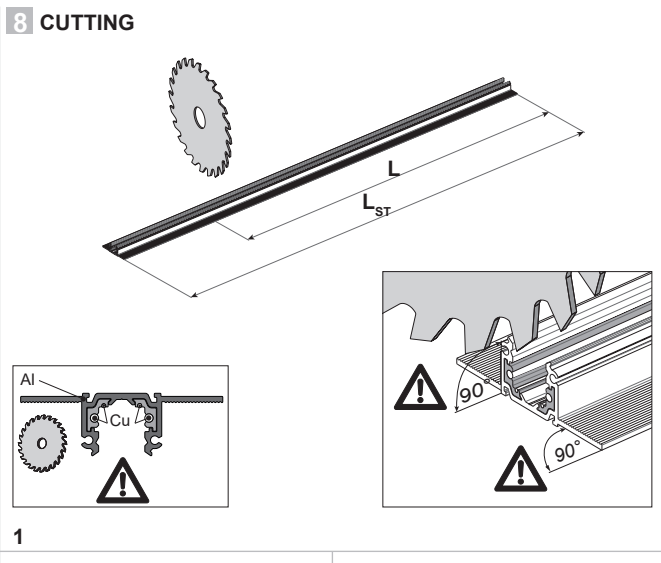
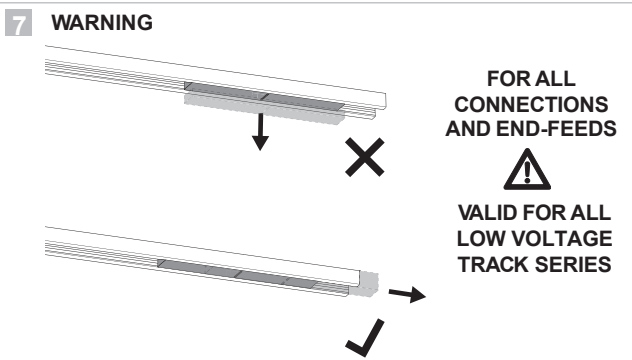
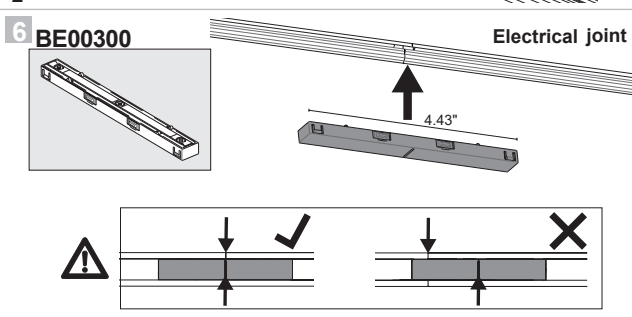
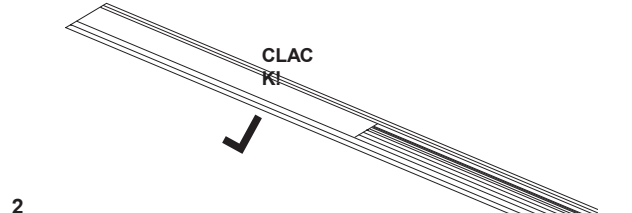
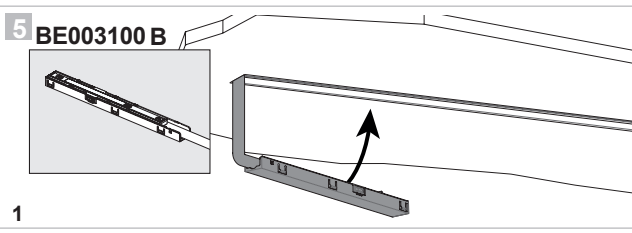
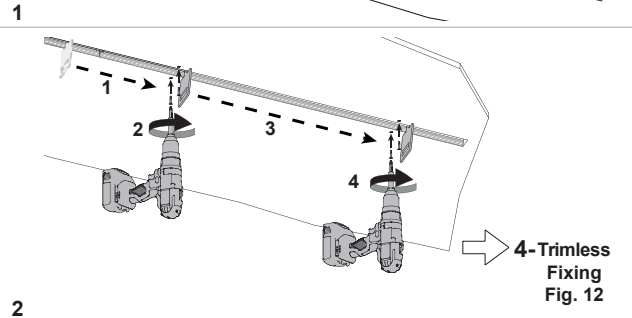
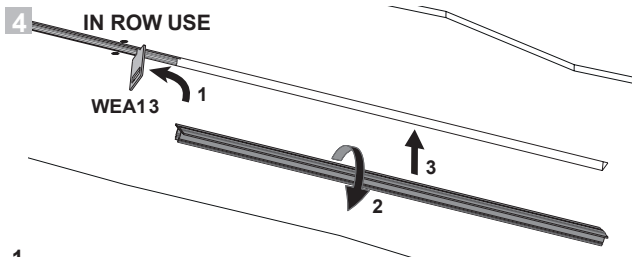
CODE	L mm [ft]
BE0030005	1000 [3.28']
BE0030004	2000 [6.56']

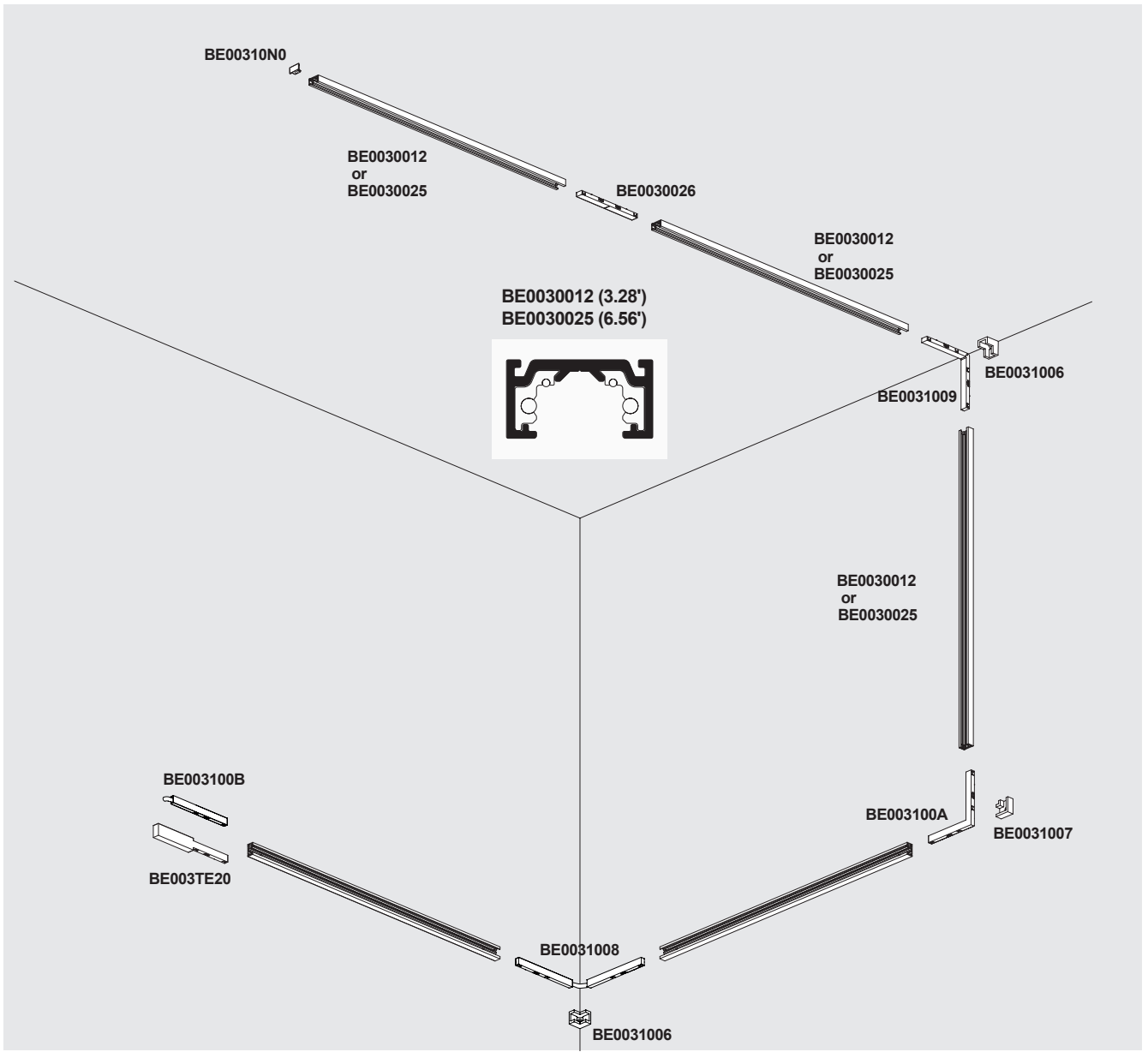
2

USE
Trimless

3 CEILING FIXING





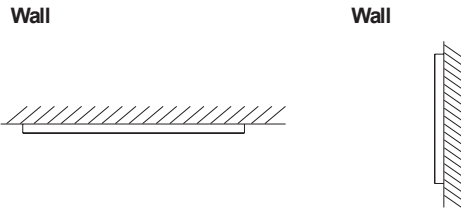


1

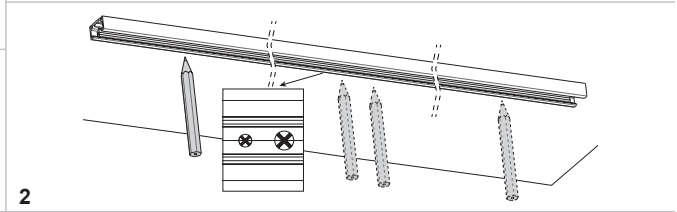
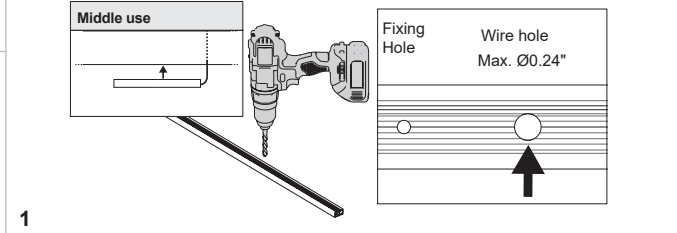
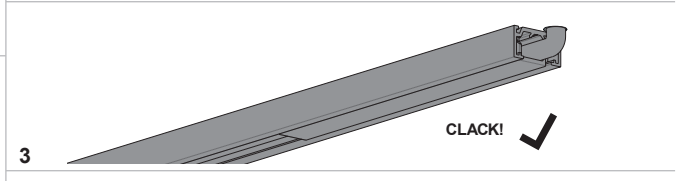
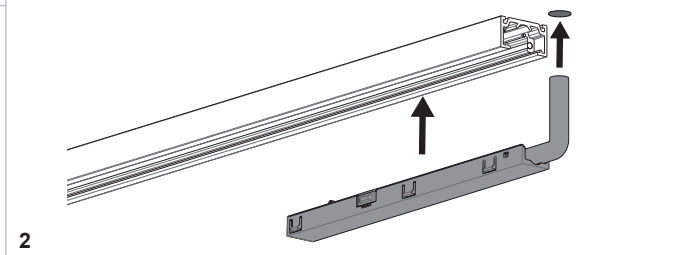
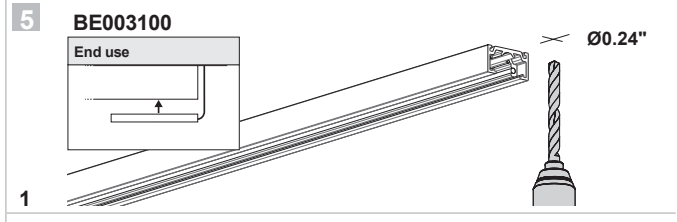
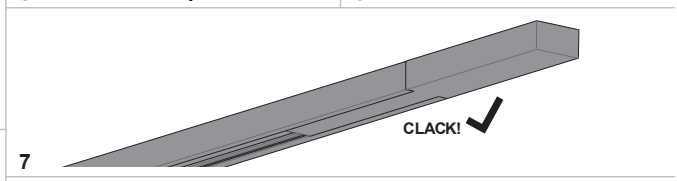
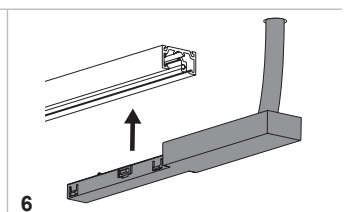
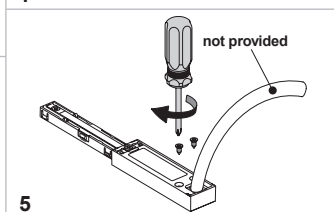
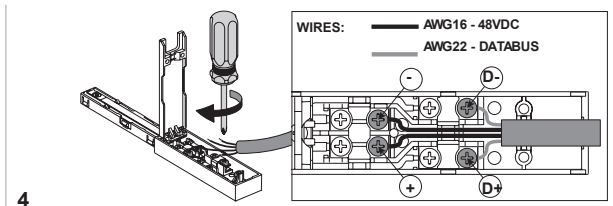
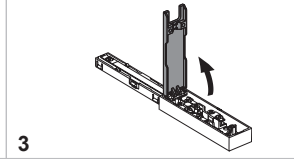
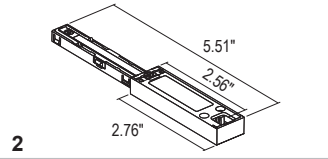
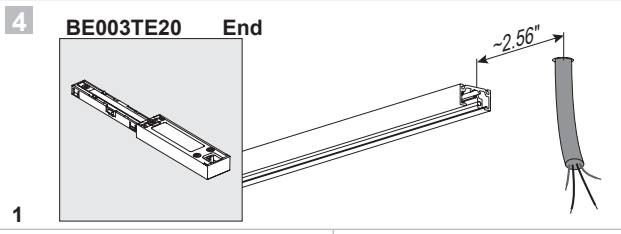
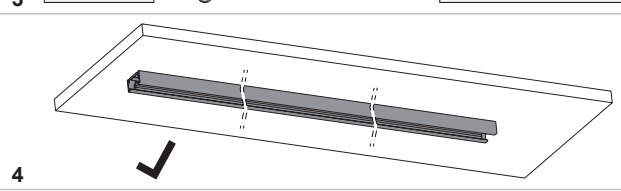
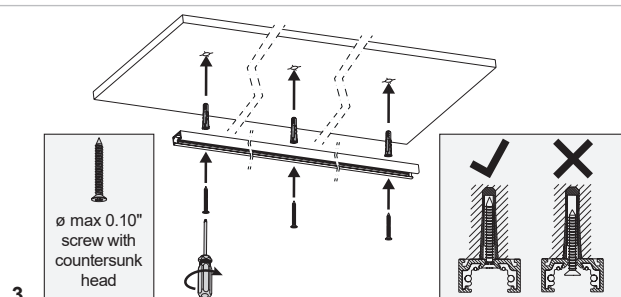
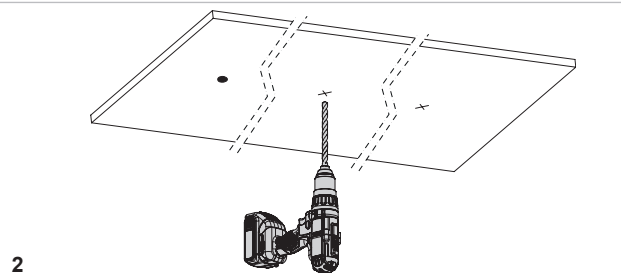
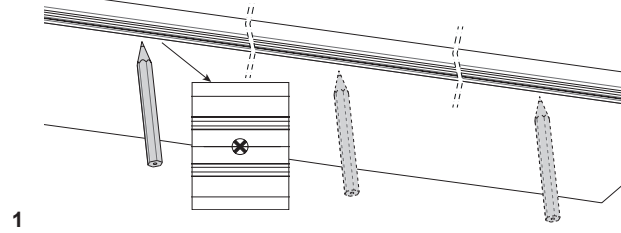
BE0030012 (3.28')
BE0030025 (6.56')

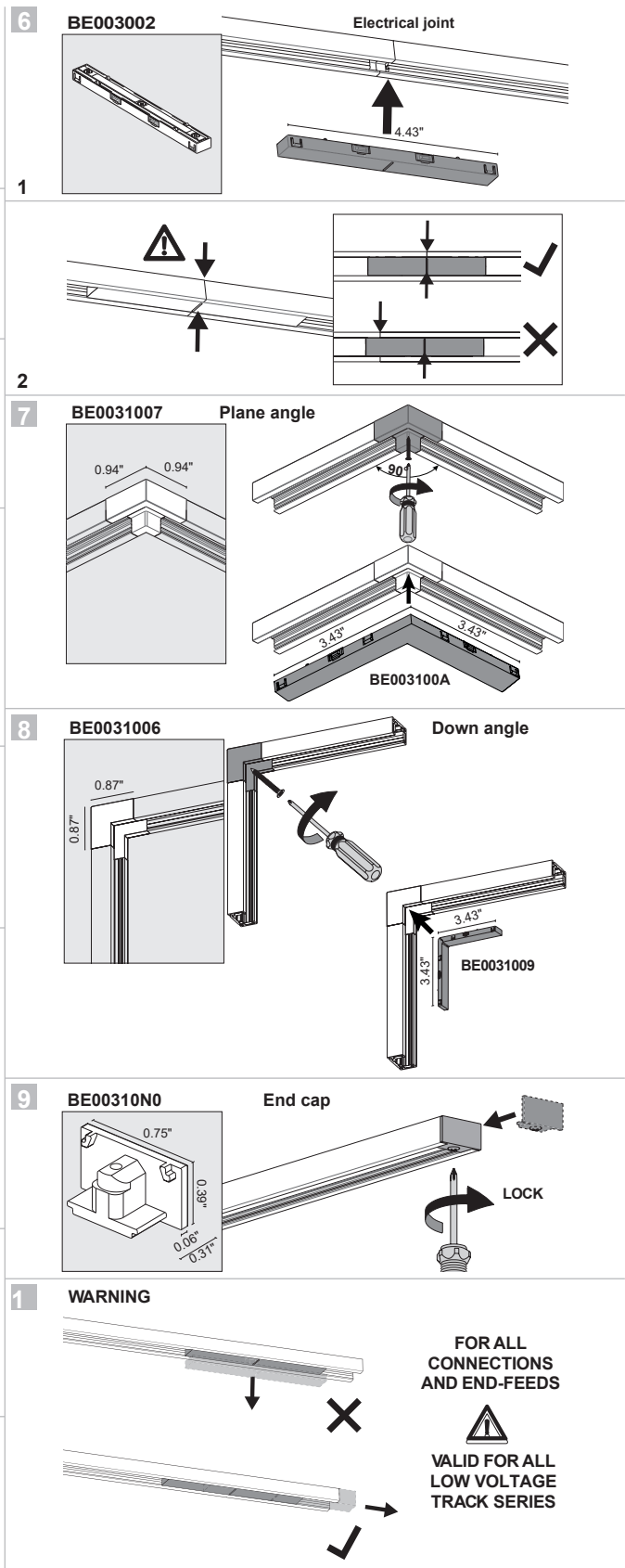
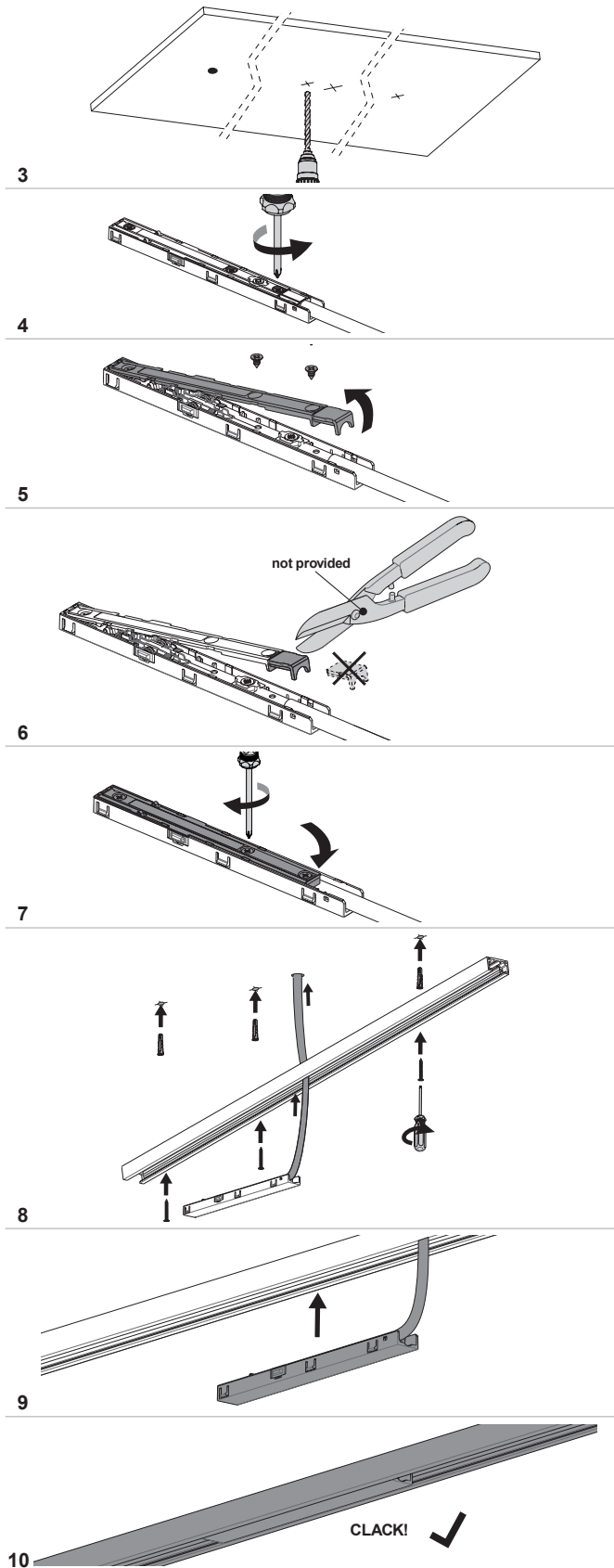
CODE	L mm [ft]	
BE0030012	1000 [3.28']	
BE0030025	2000 [6.56']	

2 USE

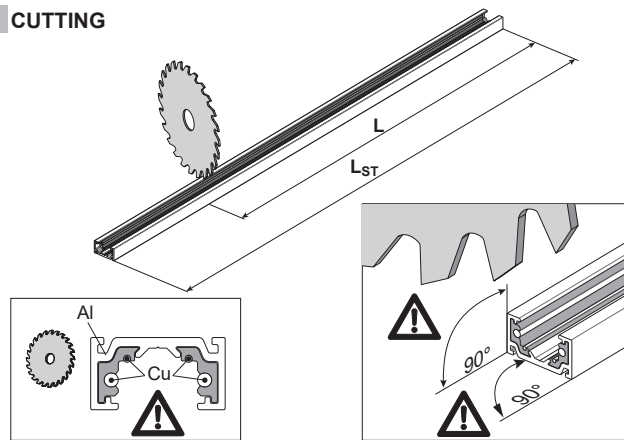


3 CEILING FIXING



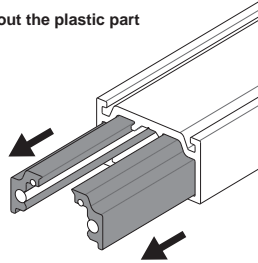


1 CUTTING



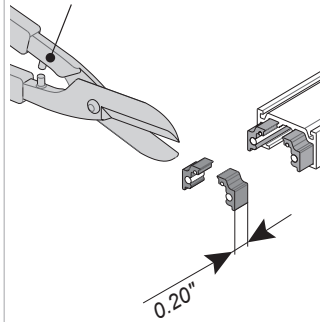
1

pull out the plastic part



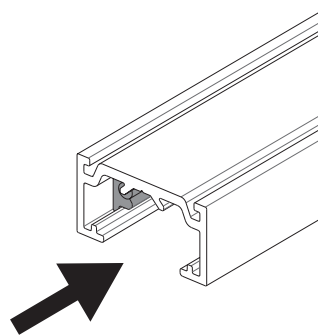
2

not provided

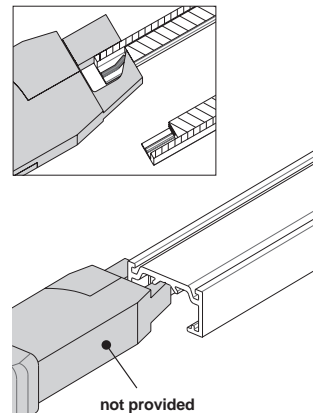


3

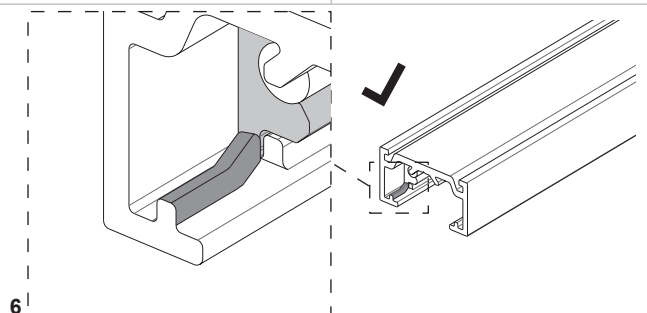
4



5



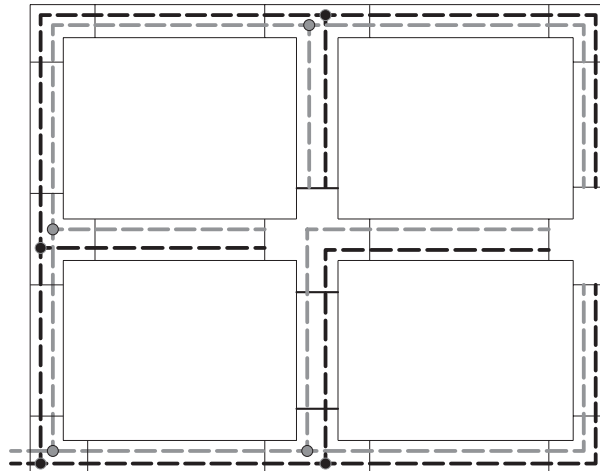
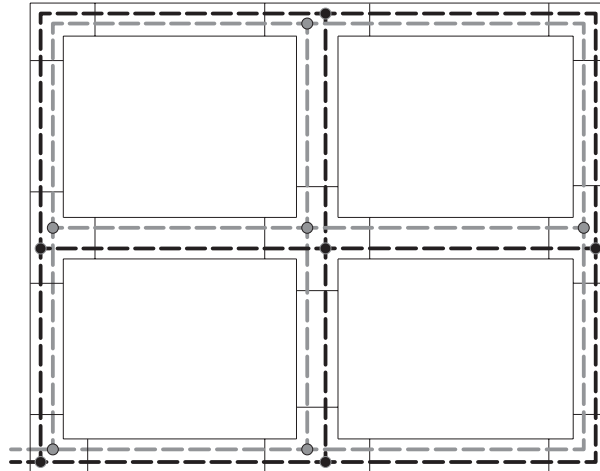
6





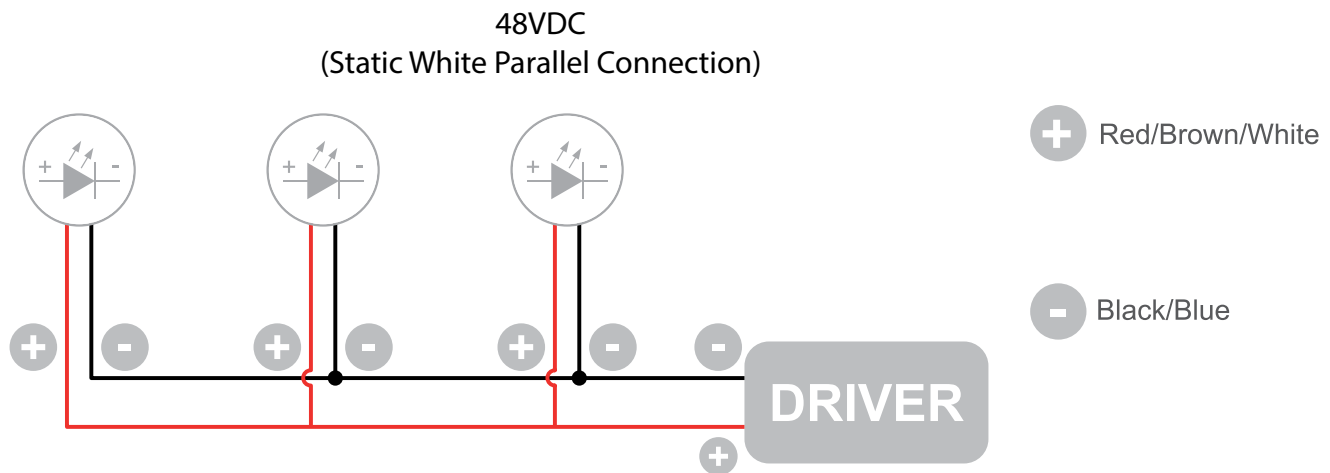
PLEASE ENSURE THAT THE DATA BUS WIRING DOES NOT CREATE A RING STRUCTURE. A FAILURE-FREE DATA BUS CANNOT BE ENSURED IF ONE IS PRESENT.

IF THE TRACK INSTALLATION REQUIRES THE USE OF “L”, “T” OR “X” -SHAPED JOIN, IT IS POSSIBLE TO DISCONNECT THE DATA BUS IN THESE JOINTS TO AVOID CREATING A RING STRUCTURES.



----- Bus Data

Wiring Diagram



The individual lamps must be connected in parallel. Only power up the system once all the lamps have being connected.

- Only power up the system once all the lamps are connected. Connecting an individual lamp to an active power supply may cause the lamp to break due to over-voltage.
- Lamps and power supply units must be installed in well-ventilated boxes or locations to allow a natural heat diffusion and avoid the devices overheating.
- On the power system, install a surge protection device to reduce the intensity of any voltage spikes to protect the lighting fixtures from the risk of damage.
- Fixture NOT suitable for covering with thermally insulating material.