

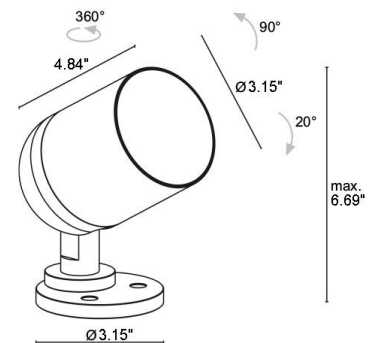
Pivot 3.0 is a compact outdoor projector that can be surface mounted on ceilings, walls or floors. It offers a variety of optics options and adjustable 360° on the horizontal axis and +/- 90° on the vertical axis with a manual zoom lens option adjustable using a magnet.



## TECHNICAL DATA

<b>Wattage / Input</b>	25W (24VDC)
<b>Power Supply</b>	Remote, not included. See page 2.
<b>Construction</b>	Body: Anti-corrosive Aluminum Alloy EN AW 6082 Lens: Tempered Extra-clear Glass Neoprene Cable: 4.9' standard
<b>CCT</b>	2700K, 3000K, 4000K
<b>CRI</b>	80, >90
<b>Delivered Lumens</b>	1818 lm (3000K, 13°, CRI 80) 1575 lm (3000K, 13°, CRI 90)
<b>Efficacy</b>	72.7 lm/W (3000K, 13°, CRI 80) 63 lm/W (3000K, 13°, CRI 90)
<b>Optics</b>	7 Standard (see below)
<b>Finishes</b>	5 Standard (see below)
<b>Fixture Dimensions</b>	Ø3.15" x 4.84", Ø3.15" Base
<b>Fixture Weight</b>	2.45 lbs
<b>LED Source</b>	1 COB LED
<b>Lumen Maintenance</b>	L70, B10>55,000hrs (Ta 25°C)
<b>Color Consistency</b>	2-Step MacAdam
<b>Operating Temp.</b>	-4°F to +122°F
<b>IP Rating</b>	IP66
<b>Impact Rating</b>	IK08

Fixture Dimensions



**Magnet required with adjustable optic**  
(see part number - page 3)

## ORDERING INFORMATION

Example: CP300100090MH or CP300100090MH-3. Accessories / Power Supplies ordered separately.

CP3000						
Model #	CRI	Optical Access.	CCT	Optics	Finish	Cable Length
CP3000	0 - CRI 80 1 - CRI 90	000 - none 001 - Honeycomb Louver  <i>*Honeycomb Louver not available with 43° sharp, 12°x66° optics and optical range 15°-39° optics</i>	F - 2700K 5 - 3000K 9 - 4000K	0S - 13° 0M - 29° 0L - 42° 0Q - 43° sharp 0K - 59° 0W - 12°x66° adjustable R3 - 15°-39° range	E - White H - Anthracite T - Cor-ten U - Copper 5 - Jasper Green	4.92' standard 1 - 16.40' 2 - 32.81' 3 - 49.21' 4 - 65.62'

Job Name/Date:

Fixture Type Designation:

## SUGGESTED POWER SUPPLIES

24VDC

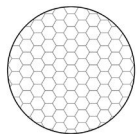
Part Number	Description	Input/Output	# of Fixtures
<a href="#">PPLT00586</a>	Non-Dim	120-277VAC to 24VDC, 40W, Class 2	1-1
<a href="#">PPLT00690</a>	ELV / TRIAC & 0-10V Dimming	120-277VAC to 24VDC, 40W, Class 2, IP67	1-1
<a href="#">PPLT00284</a>	Non-Dim	120-277VAC to 24VDC, 100W, Class 2, DAMP	1-3
<a href="#">PPLT00543</a>	0-10V Dimming to 15% (-40°C / -40°F cold weather start)	120-277VAC to 24VDC, 100W, Class 2	1-3

## Suggested Lutron Compatible

Part Number	Option	Lutron SKU	Dim Range	Description	Input/Output	# of Fixtures
<a href="#">PPLT00273</a>	L3DAE / L3DA3W	L3DA	100%-1%	Hi-Lume™ 1% EcoSystem™ or 1% 3-Wire LED Driver	120-277VAC to 24VDC, 40W, Class 2	1-1
<a href="#">PPLT00530</a>	L3DAE / L3DA3W	L3DA	100%-1%	Hi-Lume™ 1% EcoSystem™ or 1% 3-Wire LED Driver	120-277VAC to 24VDC, 96W, Class 2	1-3

For other power supply options consult factory.

## ACCESSORIES - Anti-Glare



**Honeycomb Louvre**  
built into the lighting fixture - see code matrix above

Can be fitted on all optics, except for 43° sharp, 12°x66° optics and optical range 15°—38°



**WBA16\_\_**  
Standard Snoot  
For Snoots include one of the below finishes:  
**E** - White  
**H** - Anthracite  
**T** - Cor-ten  
**U** - Copper  
**5** - Jasper Green  
**C** - Custom RAL



**WBA17\_\_**  
Asymmetric Snoot

## Installation



**AC-00003\_\_**  
Mounting Canopy for “J” Box  
For Canopy include one of the below finishes:  
**E** - White  
**H** - Anthracite  
**T** - Cor-ten  
**U** - Copper  
**C** - Custom RAL



## ACCESSORIES - Optical



**WE0201**  
Magnet for adjustable optics

## Installation

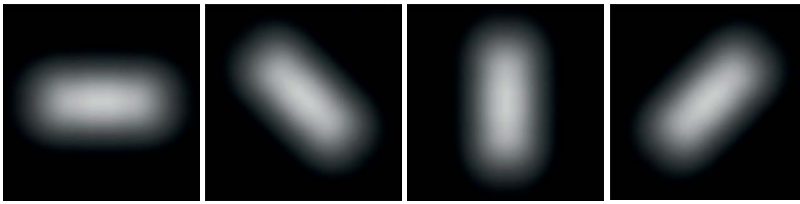


**WP0100**  
Ground Spike  
(Length 10.12”)

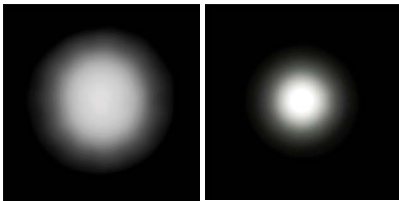
Job Name/Date:

Fixture Type Designation:

## OPTICS



12°x66° - adjustable using the magnet



Manual Zoom - adjustable using the magnet



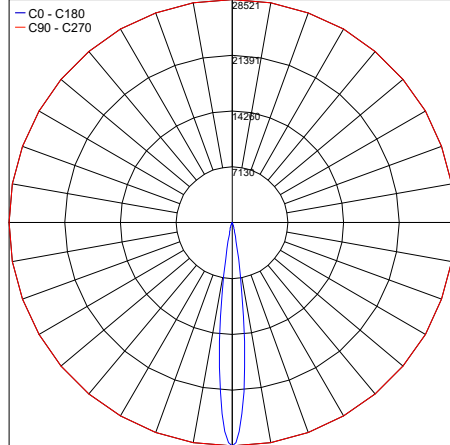
Fixed

## PHOTOMETRIC DATA

Note all Photometry is 3000K, CRI 80

### 13° CRI 80

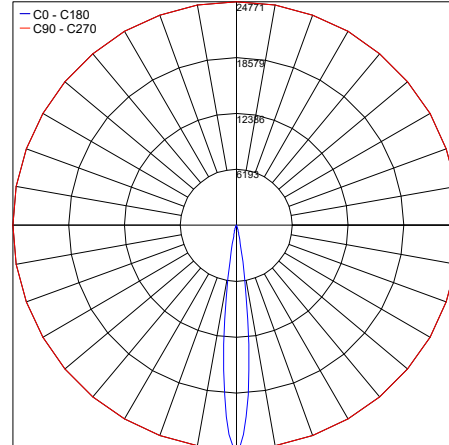
Maximum Candela = 28520.8



PHOTOMETRIC FILENAME : PIVOT\_3.0\_S\_13\_3000K\_CRI80\_25W\_24VDC.IES

### 13° CRI 90

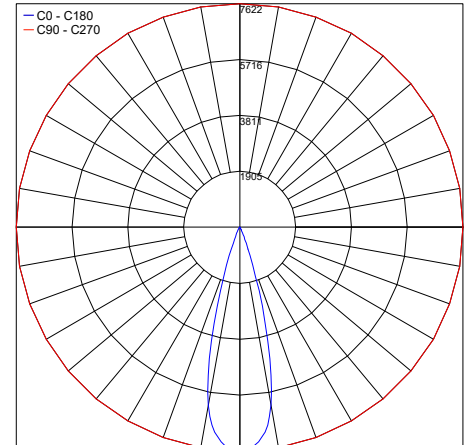
Maximum Candela = 24771.4



PHOTOMETRIC FILENAME : PIVOT\_3.0\_S\_13\_3000K\_CRI90\_25W\_24VDC.IES

### 29° CRI 80

Maximum Candela = 7622



PHOTOMETRIC FILENAME : PIVOT\_3.0\_M\_29\_3000K\_CRI80\_25W\_24VDC.IES

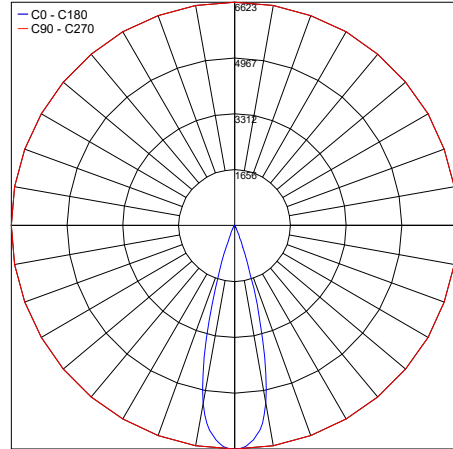
Job Name/Date:

Fixture Type Designation:

## PHOTOMETRIC DATA - Note all Photometry is 3000K, CRI 80

29° CRI 90

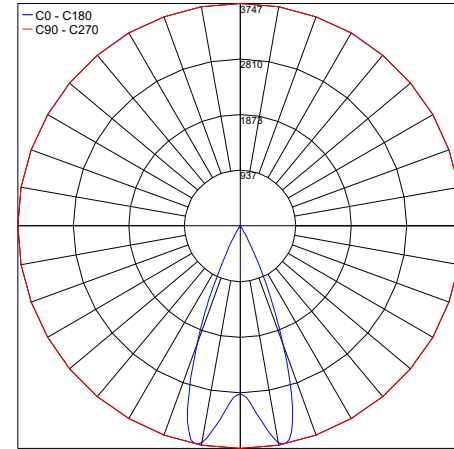
Maximum Candela = 6623.1



PHOTOMETRIC FILENAME : PIVOT\_3.0\_M\_29\_3000K\_CRI90\_25W\_24VDC.IES

42° CRI 80

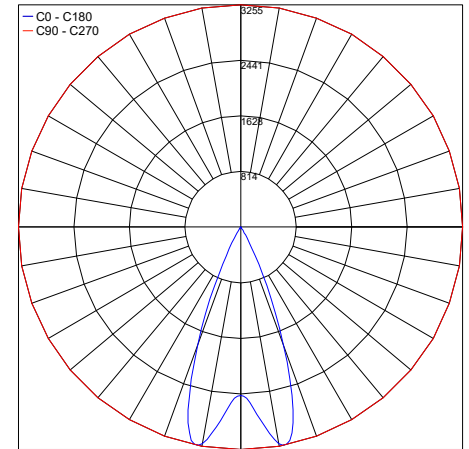
Maximum Candela = 3747.7



PHOTOMETRIC FILENAME : PIVOT\_3.0\_L\_42\_3000K\_CRI80\_25W\_24VDC.IES

42° CRI 90

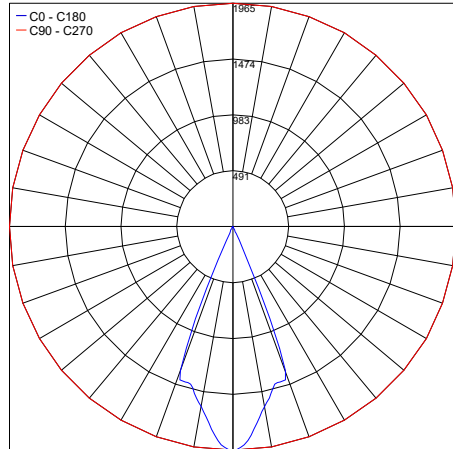
Maximum Candela = 3255.2



PHOTOMETRIC FILENAME : PIVOT\_3.0\_L\_42\_3000K\_CRI90\_25W\_24VDC.IES

Sharp 43° CRI 80

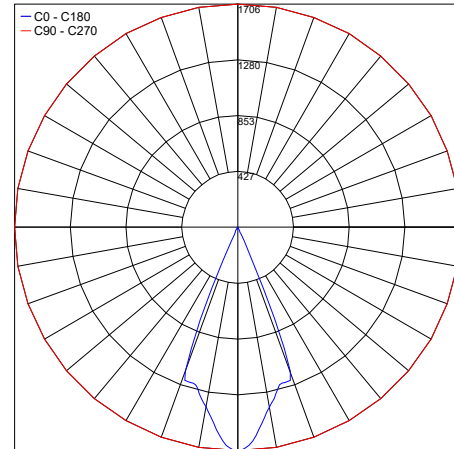
Maximum Candela = 1965.2



PHOTOMETRIC FILENAME : PIVOT\_3.0\_Q\_43\_3000K\_CRI80\_25W\_24VDC.IES

Sharp 43° CRI 90

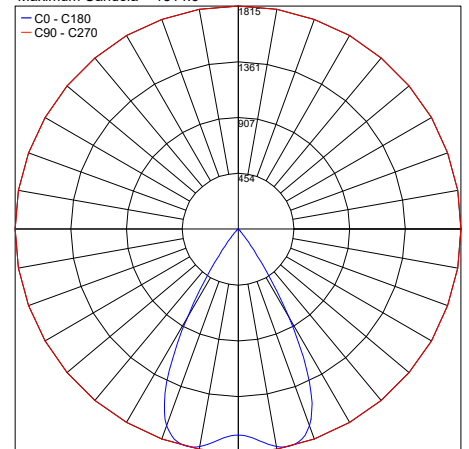
Maximum Candela = 1706.5



PHOTOMETRIC FILENAME : PIVOT\_3.0\_Q\_43\_3000K\_CRI90\_25W\_24VDC.IES

59° CRI 80

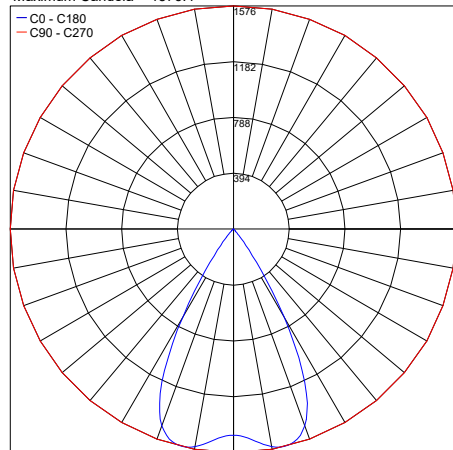
Maximum Candela = 1814.6



PHOTOMETRIC FILENAME : PIVOT\_3.0\_K\_59\_3000K\_CRI80\_25W\_24VDC.IES

59° CRI 90

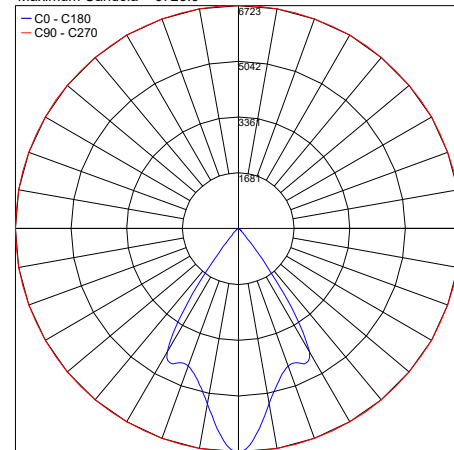
Maximum Candela = 1576.4



PHOTOMETRIC FILENAME : PIVOT\_3.0\_K\_59\_3000K\_CRI90\_25W\_24VDC.IES

12°x66° CRI 80

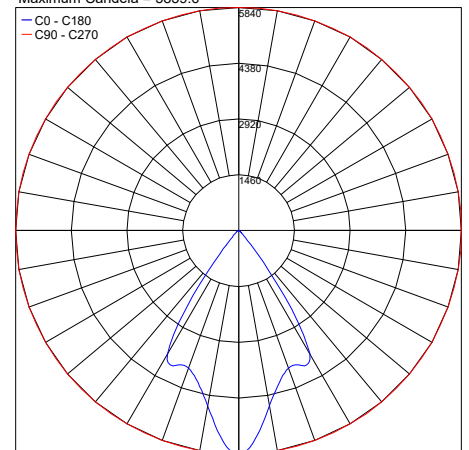
Maximum Candela = 6723.0



PHOTOMETRIC FILENAME : PIVOT\_3.0\_W\_12X66\_3000K\_CRI80\_25W\_24VDC.IES

12°x66° CRI 90

Maximum Candela = 5839.6



PHOTOMETRIC FILENAME : PIVOT\_3.0\_W\_12X66\_3000K\_CRI90\_25W\_24VDC.IES

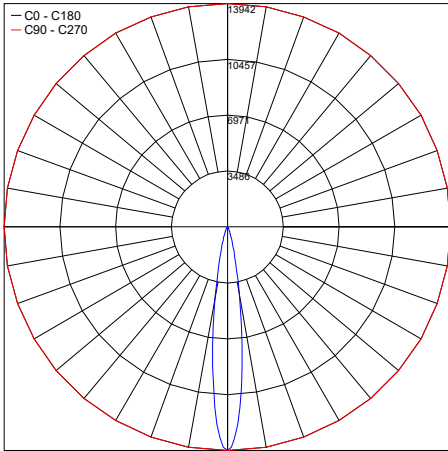
Job Name/Date:

Fixture Type Designation:

## PHOTOMETRIC DATA - Note all Photometry is 3000K, CRI 80

Zoom 15° CRI 80

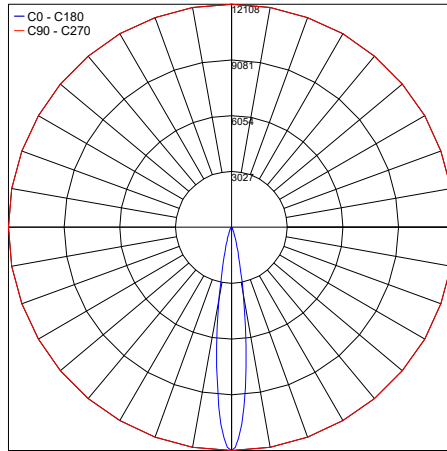
Maximum Candela = 13942.0



PHOTOMETRIC FILENAME : PIVOT\_3.0\_R3\_ZOOM\_15\_3000K\_CRI80\_25W\_24VDC.IES

Zoom 15° CRI 90

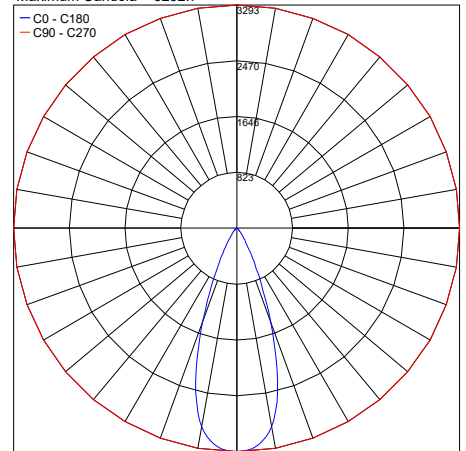
Maximum Candela = 12108.3



PHOTOMETRIC FILENAME : PIVOT\_3.0\_R3\_ZOOM\_15\_3000K\_CRI90\_25W\_24VDC.IES

Zoom 38° CRI 80

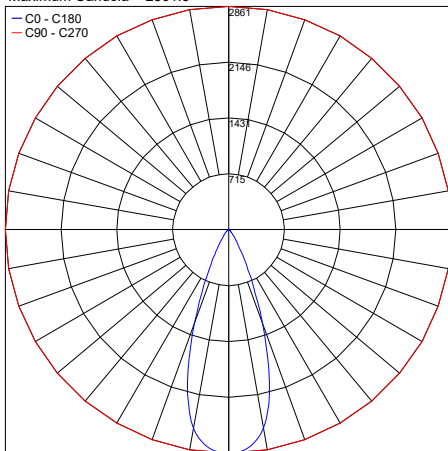
Maximum Candela = 3292.7



PHOTOMETRIC FILENAME : PIVOT\_3.0\_R3\_ZOOM\_38\_3000K\_CRI80\_25W\_24VDC.IES

Zoom 38° CRI 90

Maximum Candela = 2861.3



PHOTOMETRIC FILENAME : PIVOT\_3.0\_R3\_ZOOM\_38\_3000K\_CRI90\_25W\_24VDC.IES

Job Name/Date:

Fixture Type Designation: