

PIVOT 3.0

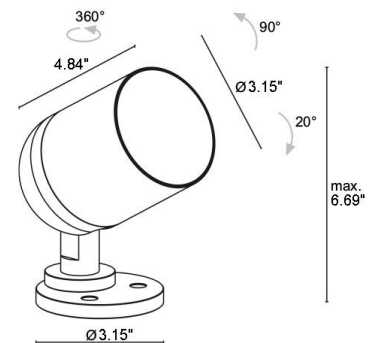
Pivot 3.0 is a compact outdoor projector that can be surface mounted on ceilings, walls or floors. It offers a variety of optics options and adjustable 360° on the horizontal axis and +/- 90° on the vertical axis with a manual zoom lens option adjustable using a magnet.




TECHNICAL DATA

Wattage / Input	25W (24VDC)
Power Supply	Remote, not included. See page 2.
Construction	Body: Anti-corrosive Aluminum Alloy EN AW 6082 Lens: Tempered Extra-clear Glass Neoprene Cable: 4.9' standard
CCT	2700K, 3000K, 4000K
CRI	80, >90
Delivered Lumens	1818 lm (3000K, 13°, CRI 80) 1575 lm (3000K, 13°, CRI 90)
Efficacy	72.7 lm/W (3000K, 13°, CRI 80) 63 lm/W (3000K, 13°, CRI 90)
Optics	7 Standard (see below)
Finishes	5 Standard (see below)
Fixture Dimensions	Ø3.15" x 4.84", Ø3.15" Base
Fixture Weight	2.45 lbs
LED Source	1 COB LED
Lumen Maintenance	L70, B10>55,000hrs (Ta 25°C)
Color Consistency	2-Step MacAdam
Operating Temp.	-4°F to +122°F
IP Rating	IP66
Impact Rating	IK08

Fixture Dimensions



 **Magnet required with adjustable optic**
(see part number - page 3)

ORDERING INFORMATION

Example: CP300100090MH or CP300100090MH-3. Accessories / Power Supplies ordered separately.

Model #	CRI	Optical Access.	CCT	Optics	Finish	Cable Length
CP3000	0 - CRI 80 1 - CRI 90	000 - none 001 - Honeycomb Louver <i>*Honeycomb Louver not available with 43° sharp, 12°x66° optics and optical range 15°-39° optics</i>	F - 2700K 5 - 3000K 9 - 4000K	0S - 13° 0M - 29° 0L - 42° 0Q - 43° sharp 0K - 59° 0W - 12°x66° adjustable R3 - 15°-39° range	E - White H - Anthracite T - Cor-ten U - Copper 5 - Jasper Green	4.92' standard 1 - 16.40' 2 - 32.81' 3 - 49.21' 4 - 65.62'

Job Name/Date:

Fixture Type Designation:

SUGGESTED POWER SUPPLIES

24VDC

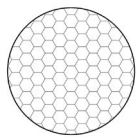
Part Number	Description	Input/Output	# of Fixtures
PPLT00586	Non-Dim	120-277VAC to 24VDC, 40W, Class 2	1-1
PPLT00690	ELV / TRIAC & 0-10V Dimming	120-277VAC to 24VDC, 40W, Class 2, IP67	1-1
PPLT00284	Non-Dim	120-277VAC to 24VDC, 100W, Class 2, DAMP	1-3
PPLT00543	0-10V Dimming to 15% (-40°C / -40°F cold weather start)	120-277VAC to 24VDC, 100W, Class 2	1-3

Suggested Lutron Compatible

Part Number	Option	Lutron SKU	Dim Range	Description	Input/Output	# of Fixtures
PPLT00273	L3DAE / L3DA3W	L3DA	100%-1%	Hi-Lume™ 1% EcoSystem™ or 1% 3-Wire LED Driver	120-277VAC to 24VDC, 40W, Class 2	1-1
PPLT00530	L3DAE / L3DA3W	L3DA	100%-1%	Hi-Lume™ 1% EcoSystem™ or 1% 3-Wire LED Driver	120-277VAC to 24VDC, 96W, Class 2	1-3

For other power supply options consult factory.

ACCESSORIES - Anti-Glare



Honeycomb Louvre
built into the lighting fixture - see code matrix above

Can be fitted on all optics, except for 43° sharp, 12°x66° optics and optical range 15°—38°



WB1001__
Standard Snoot

For Snoots include one of the below finishes:

- E - White
- H - Anthracite
- T - Cor-ten
- U - Copper
- 5 - Jasper Green
- C - Custom RAL



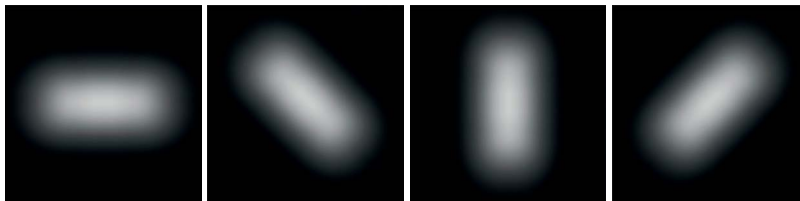
WB1002__
Asymmetric Snoot

Installation

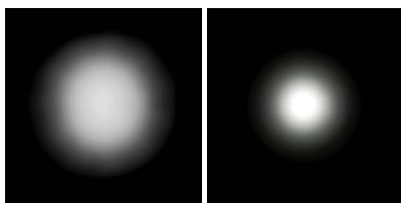


WP0100
Ground Spike
(Length 10.12")

OPTICS



12°x66° - adjustable using the magnet



Manual Zoom - adjustable using the magnet



Fixed

ACCESSORIES - Optical



WE0201
Magnet for adjustable optics

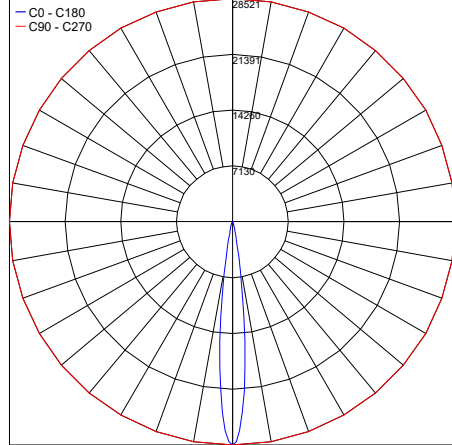
Job Name/Date:

Fixture Type Designation:

PHOTOMETRIC DATA - Note all Photometry is 3000K, CRI 80

13° CRI 80

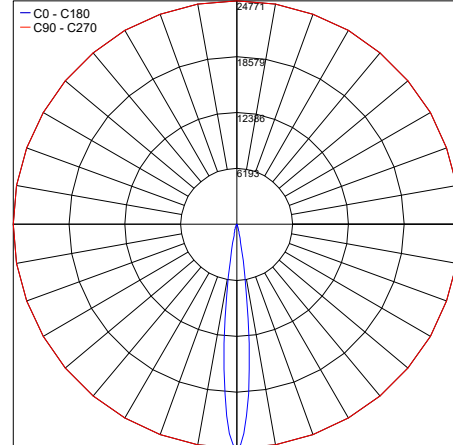
Maximum Candela = 28520.8



PHOTOMETRIC FILENAME : PIVOT_3.0_S_13_3000K_CRI80_25W_24VDC.IES

13° CRI 90

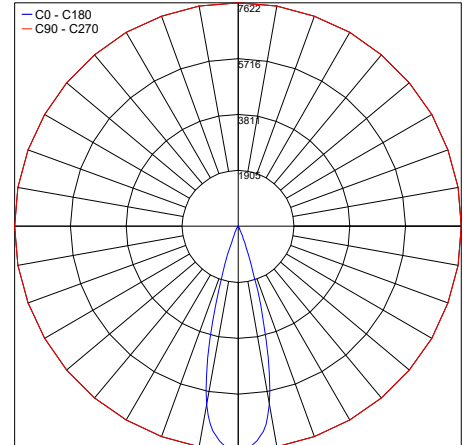
Maximum Candela = 24771.4



PHOTOMETRIC FILENAME : PIVOT_3.0_S_13_3000K_CRI90_25W_24VDC.IES

29° CRI 80

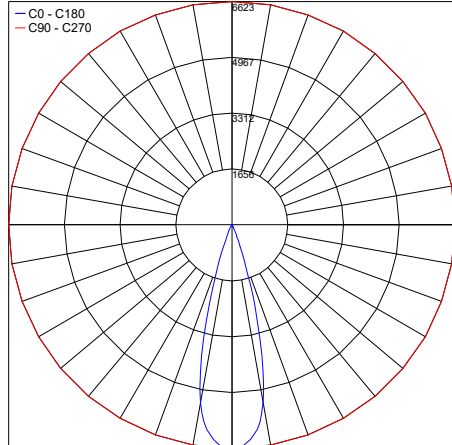
Maximum Candela = 7622



PHOTOMETRIC FILENAME : PIVOT_3.0_M_29_3000K_CRI80_25W_24VDC.IES

29° CRI 90

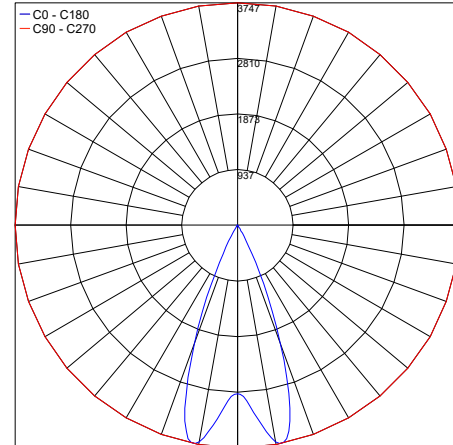
Maximum Candela = 6623.1



PHOTOMETRIC FILENAME : PIVOT_3.0_M_29_3000K_CRI90_25W_24VDC.IES

42° CRI 80

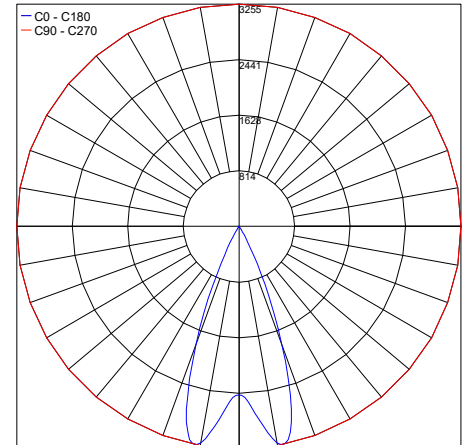
Maximum Candela = 3747.7



PHOTOMETRIC FILENAME : PIVOT_3.0_L_42_3000K_CRI80_25W_24VDC.IES

42° CRI 90

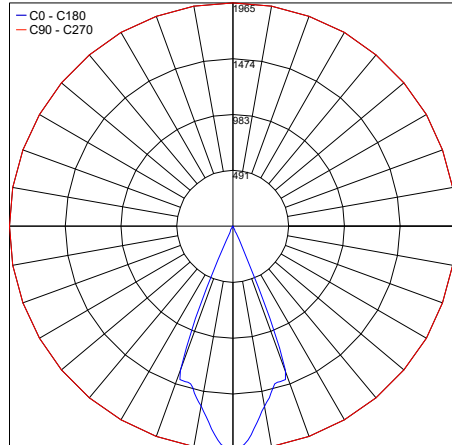
Maximum Candela = 3255.2



PHOTOMETRIC FILENAME : PIVOT_3.0_L_42_3000K_CRI90_25W_24VDC.IES

Sharp 43° CRI 80

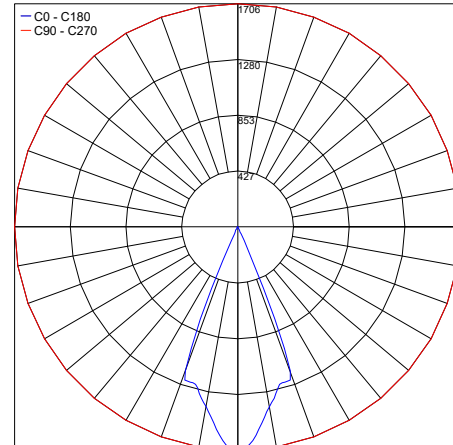
Maximum Candela = 1965.2



PHOTOMETRIC FILENAME : PIVOT_3.0_Q_43_3000K_CRI80_25W_24VDC.IES

Sharp 43° CRI 90

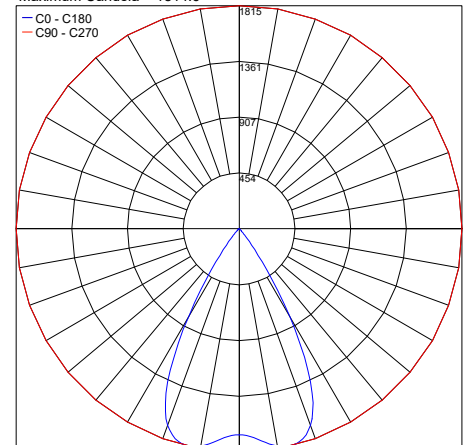
Maximum Candela = 1706.5



PHOTOMETRIC FILENAME : PIVOT_3.0_Q_43_3000K_CRI90_25W_24VDC.IES

59° CRI 80

Maximum Candela = 1814.6



PHOTOMETRIC FILENAME : PIVOT_3.0_K_59_3000K_CRI80_25W_24VDC.IES

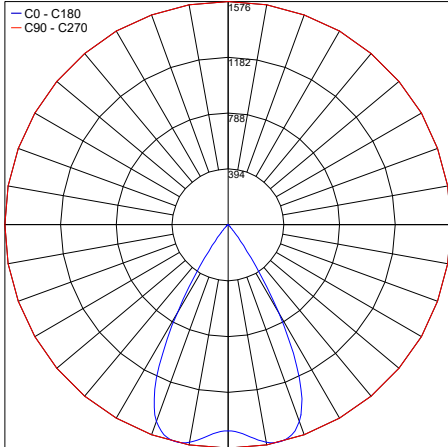
Job Name/Date:

Fixture Type Designation:

PHOTOMETRIC DATA - Note all Photometry is 3000K, CRI 80

59° CRI 90

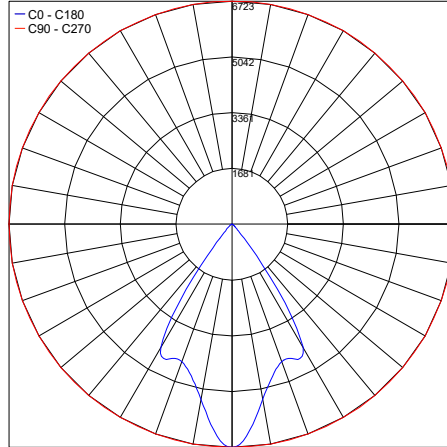
Maximum Candela = 1576.4



PHOTOMETRIC FILENAME : PIVOT_3.0_K_59_3000K_CRI90_25W_24VDC.IES

12°x66° CRI 80

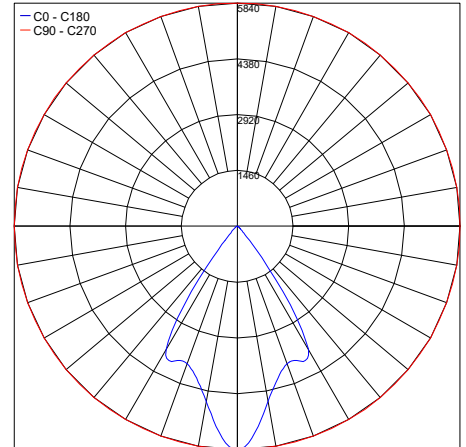
Maximum Candela = 6723.0



PHOTOMETRIC FILENAME : PIVOT_3.0_W_12X66_3000K_CRI80_25W_24VDC.IES

12°x66° CRI 90

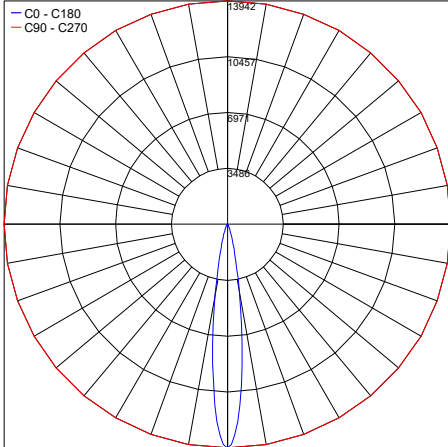
Maximum Candela = 5839.6



PHOTOMETRIC FILENAME : PIVOT_3.0_W_12X66_3000K_CRI90_25W_24VDC.IES

Zoom 15° CRI 80

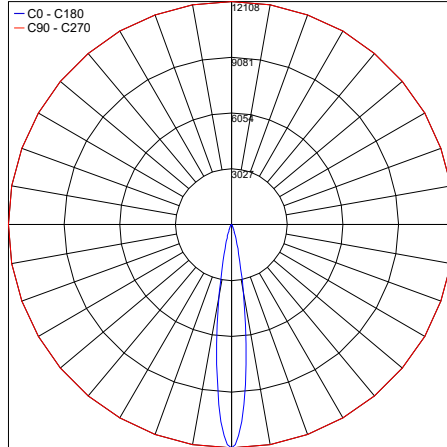
Maximum Candela = 13942.0



PHOTOMETRIC FILENAME : PIVOT_3.0_R3_ZOOM_15_3000K_CRI80_25W_24VDC.IES

Zoom 15° CRI 90

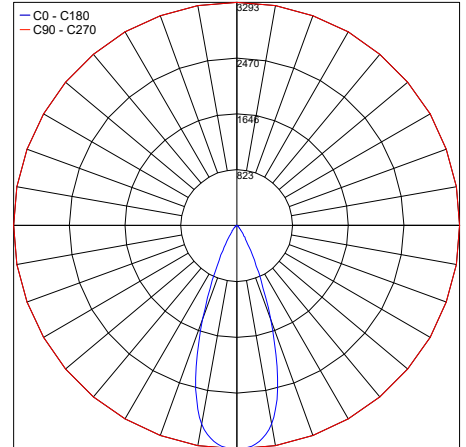
Maximum Candela = 12108.3



PHOTOMETRIC FILENAME : PIVOT_3.0_R3_ZOOM_15_3000K_CRI90_25W_24VDC.IES

Zoom 38° CRI 80

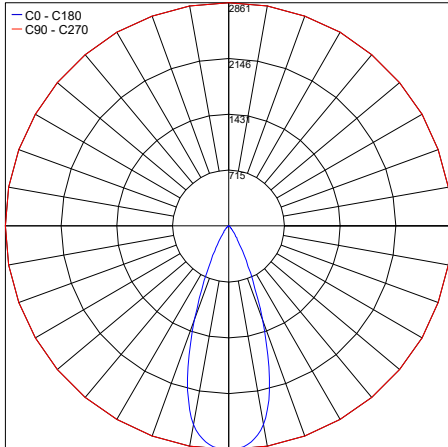
Maximum Candela = 3292.7



PHOTOMETRIC FILENAME : PIVOT_3.0_R3_ZOOM_38_3000K_CRI80_25W_24VDC.IES

Zoom 38° CRI 90

Maximum Candela = 2861.3



PHOTOMETRIC FILENAME : PIVOT_3.0_R3_ZOOM_38_3000K_CRI90_25W_24VDC.IES

Job Name/Date:

Fixture Type Designation: