

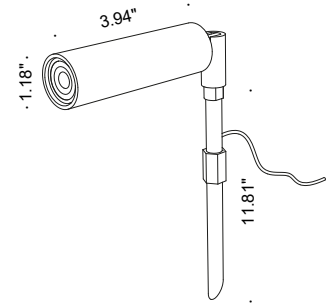
Spottino is an adjustable IP66-rated LED cylinder lamp on a steel spike, suitable for outdoor installation in gardens and yards. It is available in 2 color temperatures, and 4 standard finishes. Steel spike included.



TECHNICAL DATA

Wattage	4.5W
Power Supply	Remote 350mA, not included. See page 2.
Light Source	Modulo LED
Construction	Rod: Steel or Brass Cylinder: Brass or Aluminum
CCT	2700K, 3000K
CRI	>80
Delivered Lumens	470 lm (3000K)
Efficacy	156.67 lm/W (3000K)
Optics	25° Narrow
Finishes	Body: Iron Painted, Corten Painted, Bronze Painted, Natural Brass Details: Natural Brass, Burnished Brass
Fixture Dimensions	Ø1.18" x 4.33" above ground 11.81" full height of pole
IP Rating	IP66

Fixture Dimensions



ORDERING INFORMATION

Example: R70.081.35.7.ON.27.US. Power supplies sold separately.

R70.081	35				US
Model No.	Power Supply	Body Finish	Detail Finish	CCT	
R70.081	35 - 350mA	7 - Iron Painted 9 - Corten Painted 12 - Bronze Painted ON - Natural Brass	ON - Natural Brass ONB - Burnished Brass	27 - 2700K 30 - 3000K	US

Job Name/Date:

Fixture Type Designation:

SUGGESTED POWER SUPPLIES

350mA

Part Number	Description	Input/Output	# of Fixtures
PPLT00148	0-10V Dimming to 10%	120-277VAC to 350mA, 6W, Class 2	1-1
PPLT00211	Non-Dim	120-277VAC to 350mA, 10W, Class 2	2-2
PPLT00496	Phase Dim (120V only)	120VAC to 350mA, 12W, Class 2, DAMP	1-2
PPLT00480-P	0-10V Dimming to 1.0%	120-277VAC to 350mA, 30W, Class 2, DAMP	1-5
PPLT00263	Leading / Trailing Edge Dimming to 10% (120V only)	120-277VAC to 350mA, 32W, Class 2	3-4
PPLT00538-P	0-10V Dimming to 0.1% (4 channels)	120-277VAC to 350mA, 100W, Class 2	1-20

Suggested Lutron Compatible

Part Number	Option	Lutron SKU	Dim Range	Description	Input/Output	# of Fixtures
PPLT00247	L3DAE / L3DA3W	L3DA	100%-1%	Hi-Lume™ 1% EcoSystem™ or 1% 3-Wire LED Driver	120-277VAC to 350mA, 7W, Class 2	1-1
PPLT00516	L3DAE / L3DA3W	L3DA	100%-1%	Hi-Lume™ 1% EcoSystem™ or 1% 3-Wire LED Driver	120-277VAC to 350mA, 13W, Class 2	2-2
PPLT00179	L3DAE / L3DA3W	L3DA	100%-1%	Hi-Lume™ 1% EcoSystem™ or 1% 3-Wire LED Driver	120-277VAC to 350mA, 19W, Class 2	4-4

For other power supply options consult factory.

PHOTOMETRIC DATA

Coming Soon

Job Name/Date:

Fixture Type Designation: