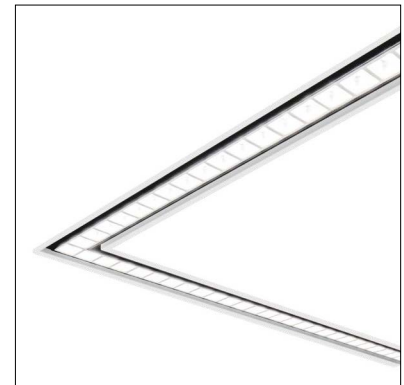


# FLEXBAR CORNER

Flexbar is an elegant, linear luminaire perfect for a wide range of interior settings such as office, education, leisure or retail. The high-performance lens technology provides well-controlled low glare lighting for optimum user comfort. It can be individually or continuously surface mounted, suspended or recessed, and comes in 3 body lengths, 3 reflector options, and white (RAL9016) or black (RAL9005) finishes. The suspended version has the option of uplight.



SURFACE - White Standard



RECESSED - White Standard

Fixture Dimensions - see page 2

## TECHNICAL DATA

<b>Wattage</b>	8W, 14W, 20W, 31W (55.1" I - Secondary Straight) 16W, 27W, 39W, 63W (110.2" I - Primary or Second)
<b>Power Supply</b>	Remote, not included. See page 3
<b>Construction</b>	Body: Extruded Aluminum Light Engine: Extruded Aluminum (Magnetic Clip) Connectors: Plug and Socket with Integral Wiring
<b>CCT</b>	4000K
<b>CRI</b>	80
<b>Delivered Lumens</b> <i>See Lumen/Wattage Chart link for more detailed information</i>	1195 lm (8W), 1930 lm (14W), 2740 lm (20W), 4165 lm (31W), 2390 lm (16W), 3860 lm (27W), 5480 lm (39W), 8330 lm (63W)
<b>Efficacy</b>	149.4 lm/W (8W), 137.9 lm/W (14W), 137 lm/W (20W), 134.4 lm/W (31W), 149.4 lm/W (16W), 143 lm/W (27W), 140.5 lm/W (39W), 132.2 lm/W (63W)
<b>Optics</b>	Direct, Indirect only available on suspended
<b>Finishes</b>	White (Standard), Black
<b>LED Source</b>	LUX GUARD LED
<b>Lumen Maintenance</b>	100,000 hrs L80/B10
<b>Fixture Dimensions</b>	33.46" x 34.25"
<b>Fixture Weight</b>	10.36 lbs (Recessed) 9.92 lbs (Surface/Suspended) <i>For uplight, add 0.44 lbs to weight</i>
<b>IP Rating</b>	IP40 (Recessed), IP20 (Surface/Suspended)

## ORDERING INFORMATION

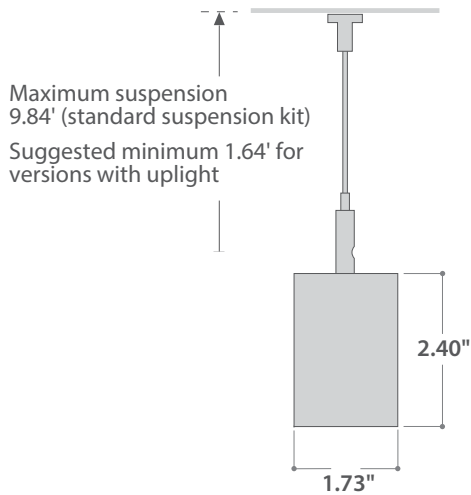
Example: FR.08C.PL.X.W.A.B6.US. Accessories / Power Supplies ordered separately.

					LF		US
Model No.	Wattage	Variant	Uplight	Reflector	Driver	Finish	
FXR - Recessed	08C - 8W	PL - Primary Left	X - No Uplight	B - Black	LF - Remote	B6 - Black	US
FR - Surface, Suspended	14C - 14W 20C - 20W 31C - 31W	PR - Primary Right SL - Secondary Left SR - Secondary Right	U - Uplight  <i>NOTE: Uplight available for surface and suspended only</i>	M - Metallized W - White		White Standard	

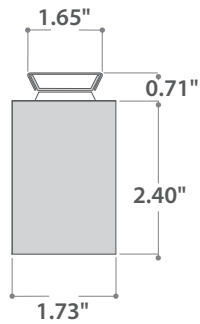
Job Name/Date:

Fixture Type Designation:

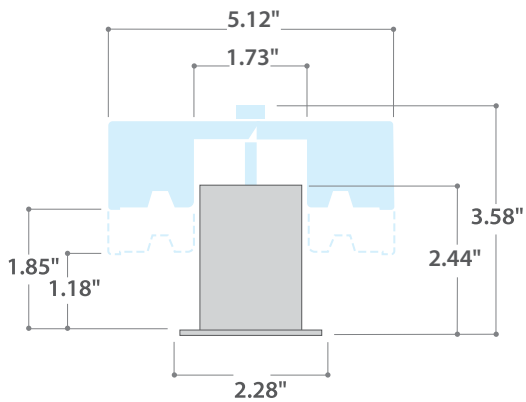
## FIXTURE DIMENSIONS



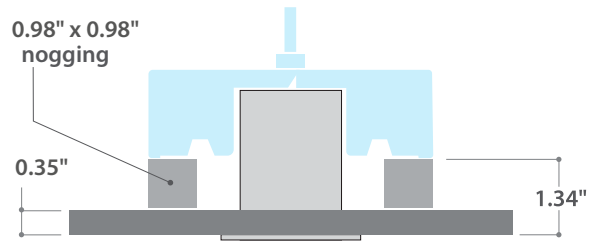
**Suspended Version**



**Surface Version**



**Recessed Version (pull-up only)**



**Plasterboard Ceiling**

Job Name/Date:

Fixture Type Designation:

## SUGGESTED POWER SUPPLIES

55.1" Length — 200mA (8W version) — 350mA (14W version) - 500mA (20W version) - 750mA (31W version)

Part Number	Description	Input/Output	# of Fixtures			
			8W	14W	20W	31W
<a href="#">PPLT00465-P</a>	0-10V Dimming to 1.0%	120-277VAC to 150-1400mA, 20W, Class 2, DAMP	1-1	1-1	1-1	
<a href="#">PPLT00263</a>	Leading / Trailing Edge Dimming to 10% (120V only)	120-277VAC to 350mA, 32W, Class 2, DAMP	—	1-1		
<a href="#">PPLT00262</a>	Leading / Trailing Edge Dimming to 10% (120V only)	120-277VAC to 500mA, 32W, Class 2, DAMP	—	—	1-1	
<a href="#">PPLT00467-P</a>	0-10V Dimming to 1.0%	120-277VAC to 150-1400mA, 50W, Class 2, DAMP	1-1	1-1	1-1	
<a href="#">PPLT00538-P</a>	0-10V Dimming to 0.1% (4 channels)	120-277VAC to 150-1400mA, 100W, Class 2	1-4	1-4	1-4	

Suggested Lutron Compatible - 14W (350mA)

Part Number	Option	Lutron SKU	Dim Range	Description	Input/Output	# of Fixtures
<a href="#">PPLT00179</a>	L3DAE / L3DA3W	L3DA	100%-1%	Hi-Lume™ 1% EcoSystem™ or 1% 3-Wire LED Driver	120-277VAC to 350mA, 19W, Class 2	1-1

Suggested Lutron Compatible - 20W (500mA)

Part Number	Option	Lutron SKU	Dim Range	Description	Input/Output	# of Fixtures
<a href="#">PPLT00180</a>	L3DAE / L3DA3W	L3DA	100%-1%	Hi-Lume™ 1% EcoSystem™ or 1% 3-Wire LED Driver	120-277VAC to 500mA, 27W, Class 2	1-1

## SUGGESTED POWER SUPPLIES

110.2" Length — 400mA (16W version) — 700mA (27W version) - 1000mA (39W version)

Part Number	Description	Input/Output	# of Fixtures		
			16W	27W	39W
<a href="#">PPLT00465-P</a>	0-10V Dimming to 1.0%	120-277VAC to 150-1400mA, 20W, Class 2, DAMP	1-1	1-1	—
<a href="#">PPLT00663</a>	ELV / TRIAC & 0-10V Dimming	120-277VAC to 700mA, 30W, Class 2	—	1-1	—
<a href="#">PPLT00261</a>	Leading / Trailing Edge Dimming to 10% (120V only)	120-277VAC to 700mA, 32W, Class 2, DAMP	—	1-1	—
<a href="#">PPLT00467-P</a>	0-10V Dimming to 1.0%	120-277VAC to 150-1400mA, 50W, Class 2, DAMP	1-1	1-1	1-1
<a href="#">PPLT00538-P</a>	0-10V Dimming to 0.1% (4 channels)	120-277VAC to 150-1400mA, 100W, Class 2	1-4	—	—

Suggested Lutron Compatible - 27W (700mA)

Part Number	Option	Lutron SKU	Dim Range	Description	Input/Output	# of Fixtures
<a href="#">PPLT00181</a>	L3DAE / L3DA3W	L3DA	100%-1%	Hi-Lume™ 1% EcoSystem™ or 1% 3-Wire LED Driver	120-277VAC to 700mA, 38W, Class 2	1-1

## SUGGESTED POWER SUPPLIES

110.2" Length — 1500mA (63W version)

Part Number	Description	Input/Output	# of Fixtures 63W
<a href="#">PPLT00683-P1500</a>	0-10V Dimming to 1.0%	120-277VAC to 1500mA, 75W, Class 2, IP20	1-1

For other power supply options consult factory.

Job Name/Date:

Fixture Type Designation:

## ACCESSORIES



**IK20181**  
Wire suspension kit (9.84 ft length)\*  
(approx. 0.11 lbs)



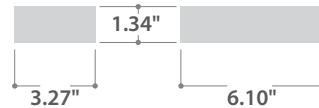
**IK20182**  
Surface mounting kit  
(approx. 0.09 lbs)



**IK20274**  
Recessed tethering kit  
(approx. 0.02 lbs)



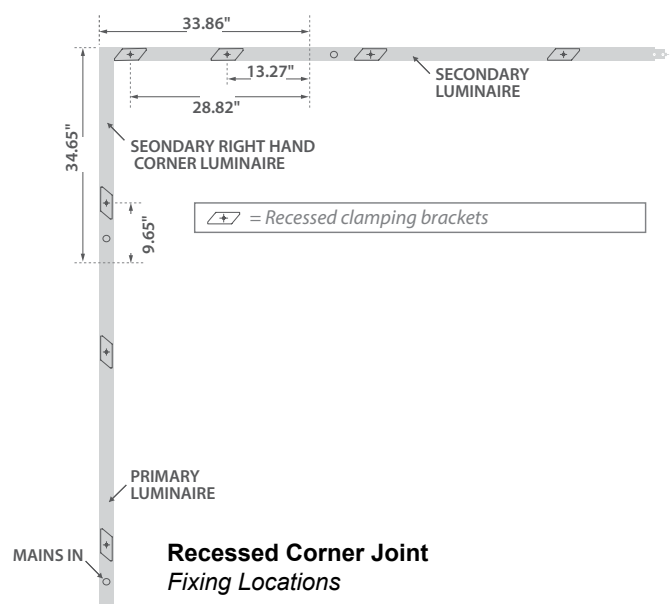
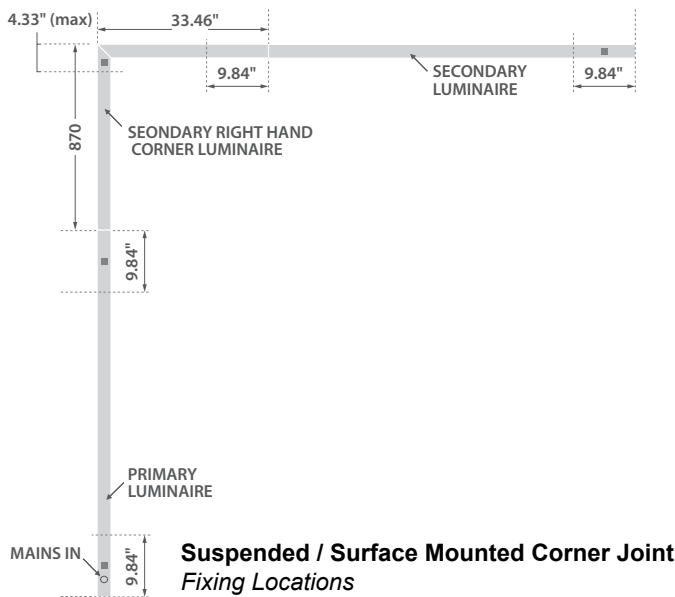
**UPLIGHT**  
available on suspended version



**LL13361W12**  
Surface wiring tidy - White

**LL13361B6**  
Surface wiring tidy - Back

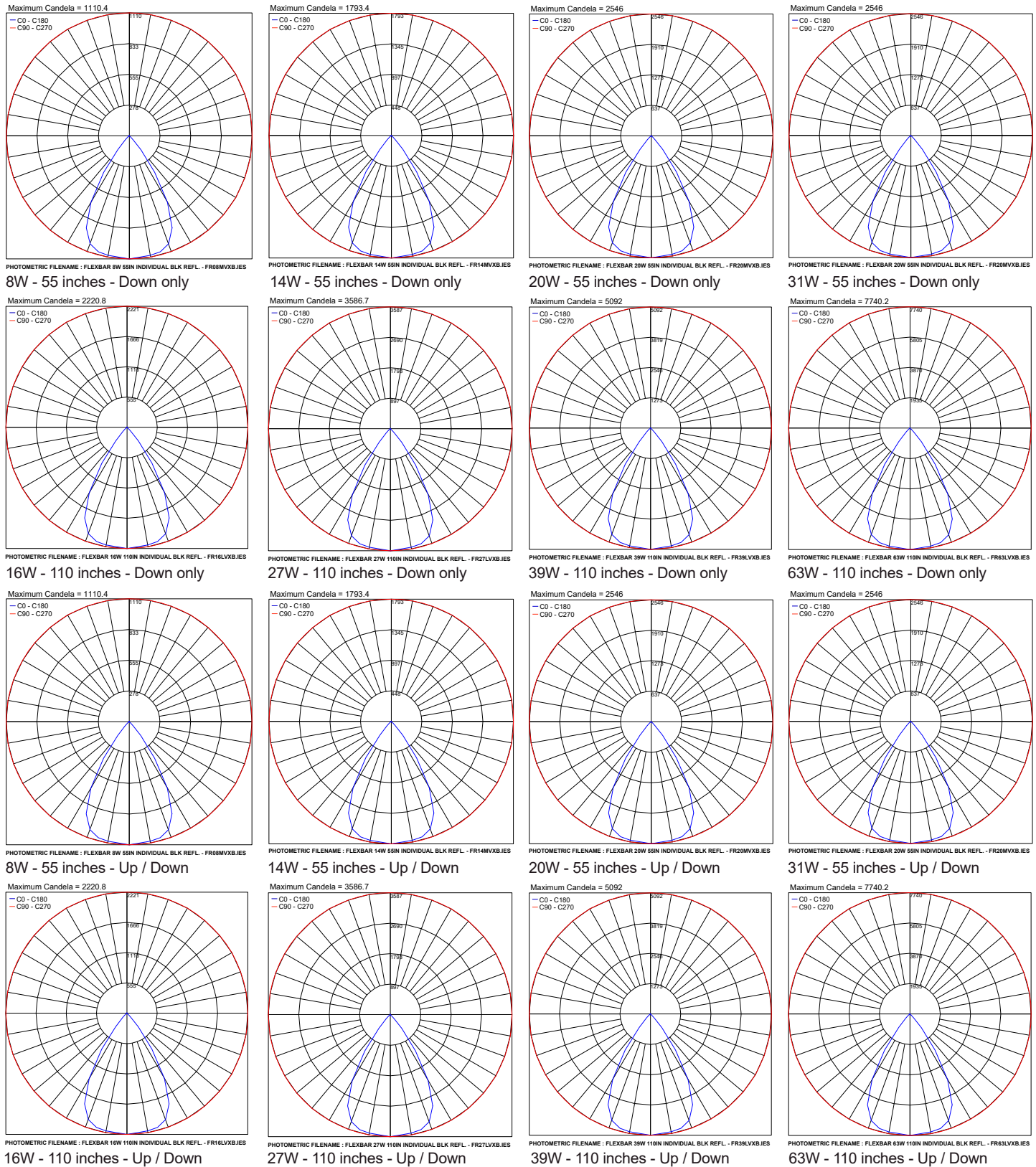
## MOUNTING



Job Name/Date:

Fixture Type Designation:

**PHOTOMETRIC DATA** - Note: All Photometry is 4000K with Black Reflector (White and Metalized Available - see IES files)



Job Name/Date:

Fixture Type Designation: