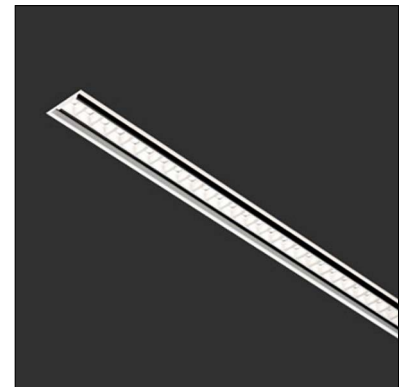


FLEXBAR INDIVIDUAL

Flexbar is an elegant, linear luminaire perfect for a wide range of interior settings such as office, education, leisure or retail. The high-performance lens technology provides well-controlled low glare lighting for optimum user comfort. It can be individually or continuously surface mounted, suspended or recessed, and comes in 3 body lengths, 3 reflector options, and white (RAL9016) or black (RAL9005) finishes. The suspended version has the option of upright.



SURFACE - White Standard



RECESSED - White Standard

Fixture Dimensions - see page 2

TECHNICAL DATA

Wattage	8W, 14W, 20W, 31W (55.1" Length) 16W, 27W, 39W, 63W (110.2" Length)
Power Supply	Remote, not included. See page 3
Construction	Body: Extruded Aluminum Light Engine: Extruded Aluminum (Magnetic Clip)
CCT	4000K
CRI	80
Delivered Lumens <i>See Lumen/Wattage Chart link for more detailed information</i>	1195 lm (8W), 1930 lm (14W) 2740 lm (20W), 4165 lm (31W), 2390 lm (16W), 3860 lm (27W), 5480 lm (39W), 8330 lm (63W)
Efficacy	149.4 lm/W (8W), 137.9 lm/W (14W), 137 lm/W (20W), 134.4 lm/W (31W), 149.4 lm/W (16W), 143 lm/W (27W), 140.5 lm/W (39W), 132.2 lm/W (63W)
Optics	Direct - Indirect only available on suspended
Finishes	White (Standard), Black
LED Source	LUX GUARD LED
Lumen Maintenance	100,000 hrs, L80/B10
Fixture Dimensions	55.1", 110.2" lengths
Fixture Weight <i>For upright version, add 0.44 lbs to 55.1" or 0.88 lbs to 110.2" weight</i>	9.3 lbs (55.1", Recessed) 16.8 lbs (110.2", Recessed) 8.8 lbs (55.1", Surface/Suspended) 15.9 lbs (110.2", Surface/Suspended)
IP Rating	IP40 (Recessed), IP20 (Surface/Suspended)

ORDERING INFORMATION

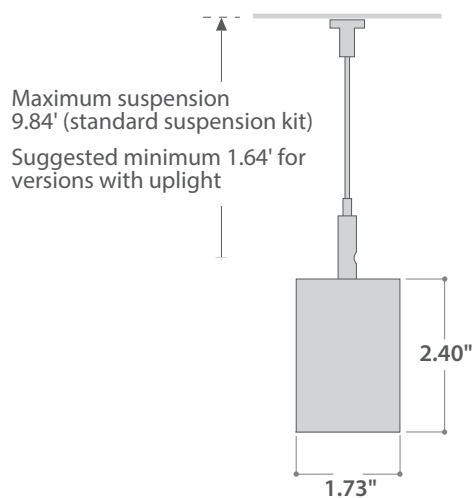
Example: FR.08.L.V.X.W.A.B6.US. Accessories / Power Supplies ordered separately.

		V			LF		US
Model No.	Wattage	Variant	Uplight	Reflector	Driver	Finish	
FXR - Recessed	08M - 8W (55.1")	V - Individual	X - No uplight	B - Black	LF - Remote	B6 - Black	US
FR - Surface, Suspended	14M - 14W (55.1") 20M - 20W (55.1") 31M - 31W (55.1") 27L - 27W (110.2") 16L - 16W (110.2") 39L - 39W (110.2") 63L - 63W (110.2")		U - w/ Uplight NOTE: Uplight available for surface and suspended only	M - Metallized W - White		White Standard	

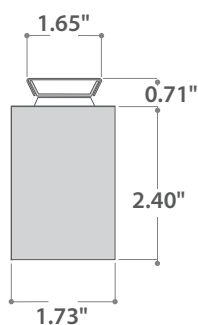
Job Name/Date:

Fixture Type Designation:

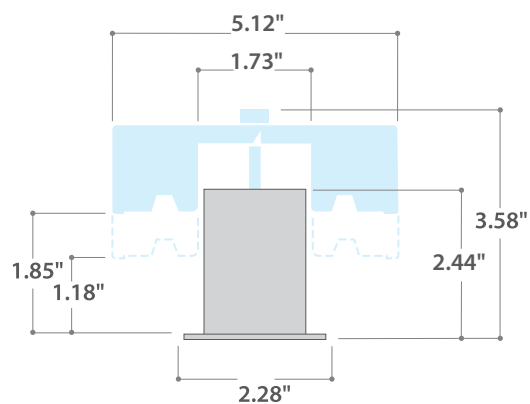
FIXTURE DIMENSIONS



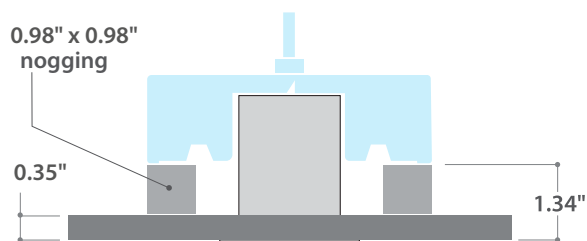
Suspended Version



Surface Version



Recessed Version (pull-up only)



Plasterboard Ceiling

Job Name/Date:

Fixture Type Designation:

SUGGESTED POWER SUPPLIES

55.1" Length — 200mA (8W version) — 350mA (14W version) - 500mA (20W version) - 750mA (31W version)

Part Number	Description	Input/Output	# of Fixtures			
			8W	14W	20W	31W
PPLT00465-P	0-10V Dimming to 1.0%	120-277VAC to 150-1400mA, 20W, Class 2, DAMP	1-1	1-1	1-1	
PPLT00263	Leading / Trailing Edge Dimming to 10% (120V only)	120-277VAC to 350mA, 32W, Class 2, DAMP	—	1-1		
PPLT00262	Leading / Trailing Edge Dimming to 10% (120V only)	120-277VAC to 500mA, 32W, Class 2, DAMP	—	—	1-1	
PPLT00467-P	0-10V Dimming to 1.0%	120-277VAC to 150-1400mA, 50W, Class 2, DAMP	1-1	1-1	1-1	
PPLT00538-P	0-10V Dimming to 0.1% (4 channels)	120-277VAC to 150-1400mA, 100W, Class 2	1-4	1-4	1-4	

Suggested Lutron Compatible - 14W (350mA)

Part Number	Option	Lutron SKU	Dim Range	Description	Input/Output	# of Fixtures
PPLT00179	L3DAE / L3DA3W	L3DA	100%-1%	Hi-Lume™ 1% EcoSystem™ or 1% 3-Wire LED Driver	120-277VAC to 350mA, 19W, Class 2	1-1

Suggested Lutron Compatible - 20W (500mA)

Part Number	Option	Lutron SKU	Dim Range	Description	Input/Output	# of Fixtures
PPLT00180	L3DAE / L3DA3W	L3DA	100%-1%	Hi-Lume™ 1% EcoSystem™ or 1% 3-Wire LED Driver	120-277VAC to 500mA, 27W, Class 2	1-1

SUGGESTED POWER SUPPLIES

110.2" Length — 400mA (16W version) — 700mA (27W version) - 1000mA (39W version)

Part Number	Description	Input/Output	# of Fixtures		
			16W	27W	39W
PPLT00465-P	0-10V Dimming to 1.0%	120-277VAC to 150-1400mA, 20W, Class 2, DAMP	1-1	1-1	—
PPLT00663	ELV / TRIAC & 0-10V Dimming	120-277VAC to 700mA, 30W, Class 2	—	1-1	—
PPLT00261	Leading / Trailing Edge Dimming to 10% (120V only)	120-277VAC to 700mA, 32W, Class 2, DAMP	—	1-1	—
PPLT00467-P	0-10V Dimming to 1.0%	120-277VAC to 150-1400mA, 50W, Class 2, DAMP	1-1	1-1	1-1
PPLT00538-P	0-10V Dimming to 0.1% (4 channels)	120-277VAC to 150-1400mA, 100W, Class 2	1-4	—	—

Suggested Lutron Compatible - 27W (700mA)

Part Number	Option	Lutron SKU	Dim Range	Description	Input/Output	# of Fixtures
PPLT00181	L3DAE / L3DA3W	L3DA	100%-1%	Hi-Lume™ 1% EcoSystem™ or 1% 3-Wire LED Driver	120-277VAC to 700mA, 38W, Class 2	1-1

SUGGESTED POWER SUPPLIES

110.2" Length — 1500mA (63W version)

Part Number	Description	Input/Output	# of Fixtures 63W
PPLT00683-P1500	0-10V Dimming to 1.0%	120-277VAC to 1500mA, 75W, Class 2, IP20	1-1

For other power supply options consult factory.

Job Name/Date:

Fixture Type Designation:

ACCESSORIES



IK20181
Wire suspension kit (9.84 ft length)*
(approx. 0.11 lbs)



IK20182
Surface mounting kit
(approx. 0.09 lbs)



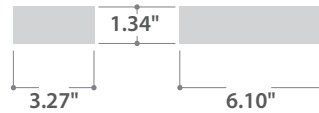
IK20274
Recessed tethering kit
(approx. 0.02 lbs)



UPLIGHT
available on suspended version



LL13361W12
Surface wiring tidy - White

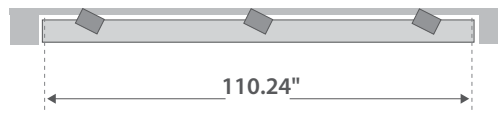


LL13361B6
Surface wiring tidy - Back

MOUNTING



Suspended and Surface Mounted Individual
Fixing Location

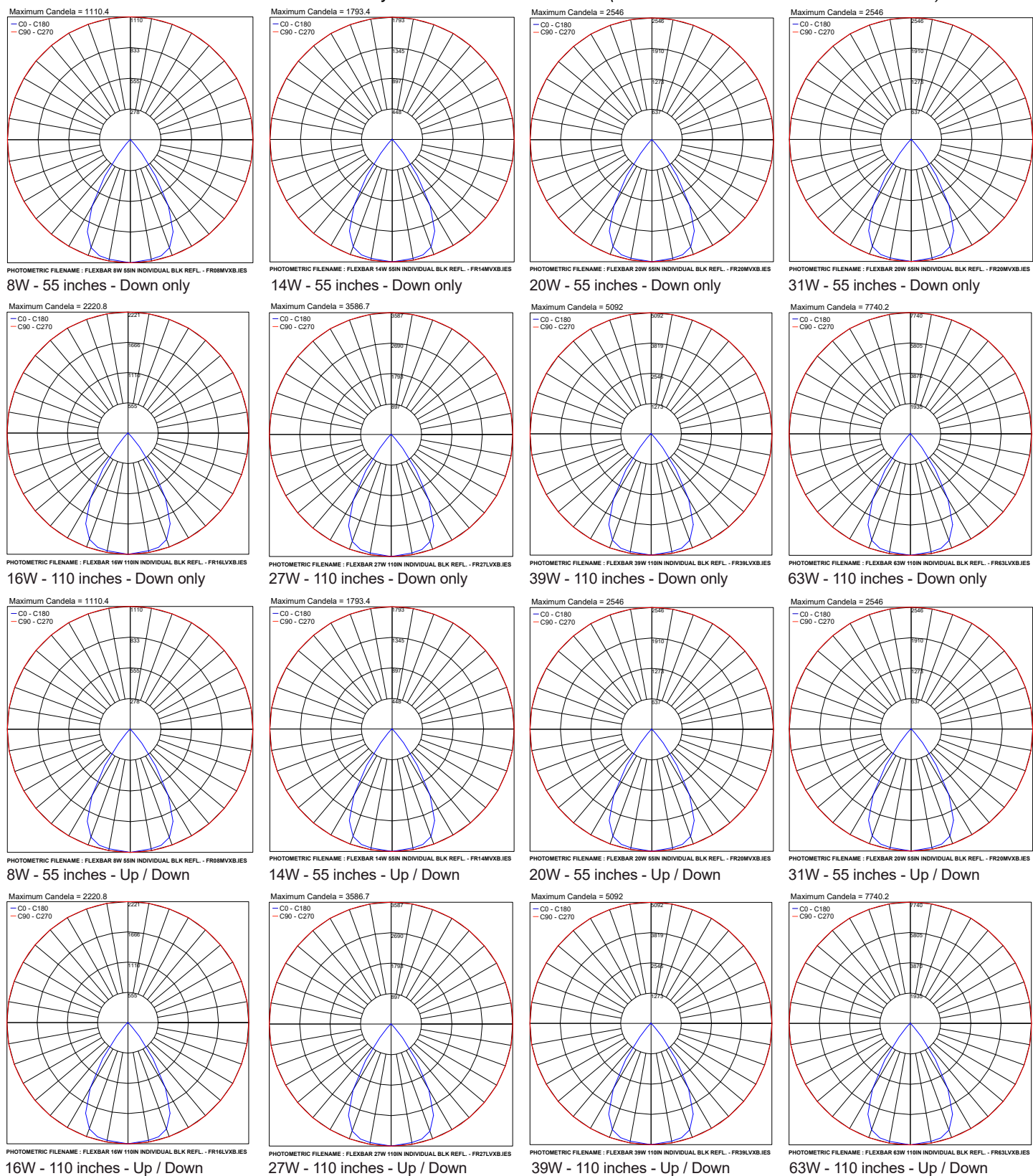


Recessed Mounted Individual
Fixing Locations

Job Name/Date:

Fixture Type Designation:

PHOTOMETRIC DATA - Note: All Photometry is 4000K with Black Reflector (White and Metalized Available - see IES files)



Job Name/Date:

Fixture Type Designation: