

G3 PRO SURFACE

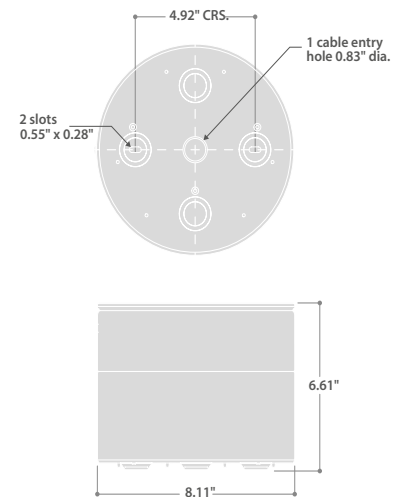
G3 Pro Surface is a high performance, circular, surface mounted downlight suitable for indoor installation in offices, corridors, reception areas, and retail. It can also be suspended using the wire suspension kit accessory (sold separately) and provides excellent glare control at 50° and above with narrow or broad light distribution optics.



TECHNICAL DATA

| | |
|---------------------------|--|
| Wattage / Input | 11W (350mA), 24W (700mA), 40W (1050mA) |
| Power Supply | Remote, not included. See page 2 |
| Construction | Body: Spun Aluminum |
| CCT | 3000K, 4000K |
| CRI | >80, 90 available on request |
| Delivered Lumens | 4545 lm (3000K, 40W, Broad, White) 4515 lm (3000K, 40W, Narrow, White) 4485 lm (3000K, 40W, Broad, Black) 4420 lm (3000K, 40W, Narrow, Black) |
| Efficacy | 113.6 lm (3000K, 40W, Broad, White) 112.9 lm (3000K, 40W, Narrow, White) 112.1 lm (3000K, 40W, Broad, Black) 110.5 lm (3000K, 40W, Narrow, Black) |
| Optics | Broad, Narrow |
| Finishes | White (RAL9016) Outer Reflector: White or Anti-glare Black |
| Lumen Maintenance | 50,000 hrs L70/B10 |
| Fixture Dimensions | Ø8.11" x 6.61" h |
| Fixture Weight | 4.41 lbs |
| IP Rating | IP40 (IP20 above ceiling) |

Fixture Dimensions



ORDERING INFORMATION

Example: **GT19890.A.US**. Power Supplies / Accessories ordered separately.

| | | | |
|--|--|--|--|
| | | | |
|--|--|--|--|

| Model No. - White Reflector | Model No. - Black Reflector |
|-------------------------------------|-------------------------------------|
| GT19890 - 11W, 3000K, Broad | GT19898 - 11W, 3000K, Broad |
| GT19891 - 24W, 3000K, Broad | GT19899 - 24W, 3000K, Broad |
| GT19892 - 40W, 3000K, Broad | GT19900 - 40W, 3000K, Broad |
| GT19893 - 40W, 3000K, Narrow | GT19901 - 40W, 3000K, Narrow |
| GT19894 - 11W, 4000K, Broad | GT19902 - 11W, 4000K, Broad |
| GT19895 - 24W, 4000K, Broad | GT19903 - 24W, 4000K, Broad |
| GT19896 - 40W, 4000K, Broad | GT19904 - 40W, 4000K, Broad |
| GT19897 - 40W, 4000K, Narrow | GT19905 - 40W, 4000K, Narrow |

| | |
|-----------------------------|-----------|
| LF | US |
| Driver | |
| LF - Remote (See page 2) | US |

Job Name/Date:

Fixture Type Designation:

SUGGESTED POWER SUPPLIES

350mA (11W version)

| Part Number | Description | Input/Output | # of Fixtures |
|-----------------------------|--|---|---------------|
| PPLT00468 | Phase Dim (120V only) | 120VAC to 350mA, 14W, Class 2 | 1-1 |
| PPLT00662 | 0-10V Dimming to 10% | 120-277VAC to 350mA, 20W, Class 2, IP66 | 1-1 |
| PPLT00263 | Leading / Trailing Edge Dimming to 10% (120V only) | 120-277VAC to 350mA, 32W, Class 2 | 1-1 |
| PPLT00467-P | 0-10V Dimming to 1.0% | 120-277VAC to 350mA, 50W, Class 2, DAMP | 1-1 |
| PPLT00538-P | 0-10V Dimming to 0.1% (4 channels) | 120-277VAC to 350mA, 100W, Class 2 | 1-4 |

Suggested Lutron Compatible - 350mA (11W version)

| Part Number | Option | Lutron SKU | Dim Range | Description | Input/Output | # of Fixtures |
|---------------------------|----------------|------------|-----------|--|-----------------------------------|---------------|
| PPLT00516 | L3DAE / L3DA3W | L3DA | 100%-1% | Hi-Lume™ 1% EcoSystem™ or 1% 3-Wire LED Driver | 120-277VAC to 350mA, 13W, Class 2 | 1-1 |
| PPLT00179 | L3DAE / L3DA3W | L3DA | 100%-1% | Hi-Lume™ 1% EcoSystem™ or 1% 3-Wire LED Driver | 120-277VAC to 350mA, 19W, Class 2 | 1-1 |

SUGGESTED POWER SUPPLIES

700mA (24W version)

| Part Number | Description | Input/Output | # of Fixtures |
|-----------------------------|--|---|---------------|
| PPLT00164 | 0-10V Dimming to 10% | 120-277VAC to 700mA, 27W, Class 2 | 1-1 |
| PPLT00663 | ELV / TRIAC & 0-10V Dimming | 120-277VAC to 700mA, 30W, Class 2 | 1-1 |
| PPLT00261 | Leading / Trailing Edge Dimming to 10% (120V only) | 120-277VAC to 700mA, 32W, Class 2 | 1-1 |
| PPLT00467-P | 0-10V Dimming to 1.0% | 120-277VAC to 700mA, 50W, Class 2, DAMP | 1-1 |
| PPLT00538-P | 0-10V Dimming to 0.1% (4 channels) | 120-277VAC to 700mA, 100W, Class 2 | 1-4 |

Suggested Lutron Compatible - 700mA (24W version)

| Part Number | Option | Lutron SKU | Dim Range | Description | Input/Output | # of Fixtures |
|---------------------------|----------------|------------|-----------|--|-----------------------------------|---------------|
| PPLT00517 | L3DAE / L3DA3W | L3DA | 100%-1% | Hi-Lume™ 1% EcoSystem™ or 1% 3-Wire LED Driver | 120-277VAC to 700mA, 27W, Class 2 | 1-1 |
| PPLT00181 | L3DAE / L3DA3W | L3DA | 100%-1% | Hi-Lume™ 1% EcoSystem™ or 1% 3-Wire LED Driver | 120-277VAC to 700mA, 38W, Class 2 | 1-1 |

SUGGESTED POWER SUPPLIES

1050mA (40W version)

| Part Number | Description | Input/Output | # of Fixtures |
|-----------------------------|-----------------------------|--|---------------|
| PPLT00216 | 0-10V Dimming to 10% | 120-277VAC to 1050mA, 40W, Class 2 | 1-1 |
| PPLT00467-P | 0-10V Dimming to 1.0% | 120-277VAC to 1050mA, 50W, Class 2, DAMP | 1-1 |
| PPLT00705-P | ELV / TRIAC & 0-10V Dimming | 120-277VAC to 1050mA, 50W, Class 2 | 1-1 |
| PPLT00679 | 0-10V Dimming to 10% | 120-277VAC to 1050mA, 100W, Class 2 | 2-2 |

Suggested Lutron Compatible - 1050mA (40W version)

| Part Number | Option | Lutron SKU | Dim Range | Description | Input/Output | # of Fixtures |
|---------------------------|----------------|------------|-----------|--|------------------------------------|---------------|
| PPLT00621 | L3DAE / L3DA3W | L3DA | 100%-1% | Hi-Lume™ 1% EcoSystem™ or 1% 3-Wire LED Driver | 120-277VAC to 1050mA, 40W, Class 2 | 1-1 |

For other power supply options consult factory.

Job Name/Date:

Fixture Type Designation:

ACCESSORIES



GT 19906

Wire suspension kit (9.84 ft length)
(approx. 0.11 lbs)

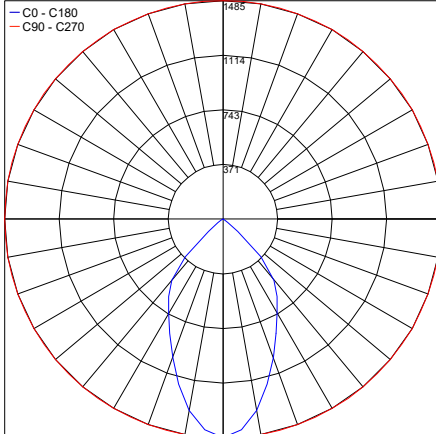
Job Name/Date:

Fixture Type Designation:

PHOTOMETRIC DATA - Note all Photometry is 3000K

11W - Black Reflector

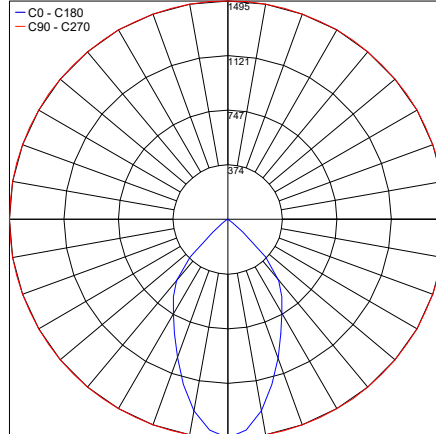
Maximum Candela = 1485.4



PHOTOMETRIC FILENAME : GT19898 - G3 PRO 11W 30K BROAD BLACK REF.IES

11W - White Reflector

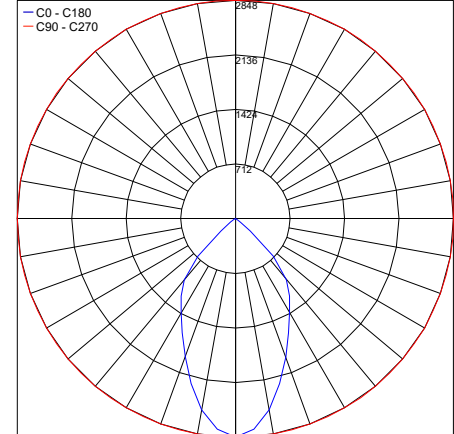
Maximum Candela = 1494.9



PHOTOMETRIC FILENAME : GT19890 - G3 PRO 11W 30K BROAD WHITE REF.IES

24W - Black Reflector

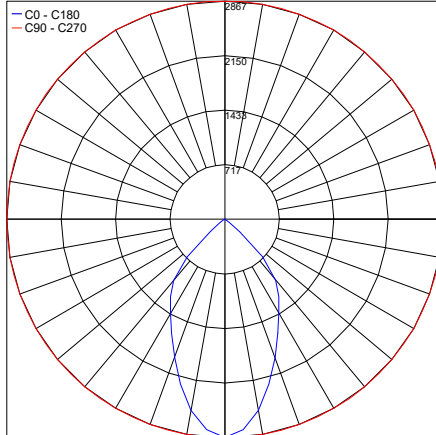
Maximum Candela = 2847.9



PHOTOMETRIC FILENAME : GT19899 - G3 PRO 24W 30K BROAD BLACK REF.IES

24W - White Reflector

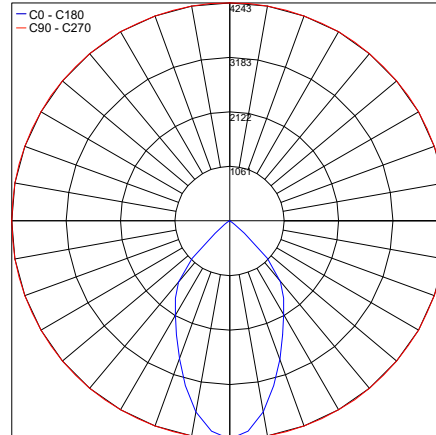
Maximum Candela = 2866.8



PHOTOMETRIC FILENAME : GT19891 - G3 PRO 24W 30K BROAD WHITE REF.IES

40W - Black Reflector - Broad Optics

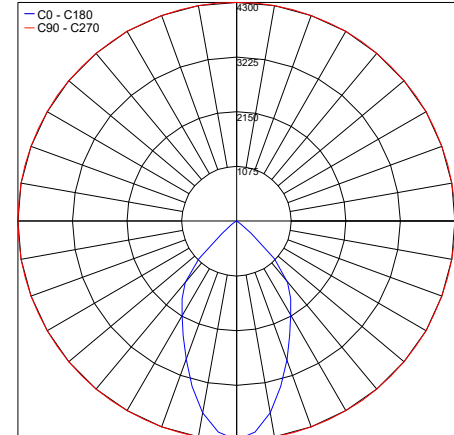
Maximum Candela = 4243.4



PHOTOMETRIC FILENAME : GT19900 - G3 PRO 40W 30K BROAD BLACK REF.IES

40W - White Reflector - Broad Optics

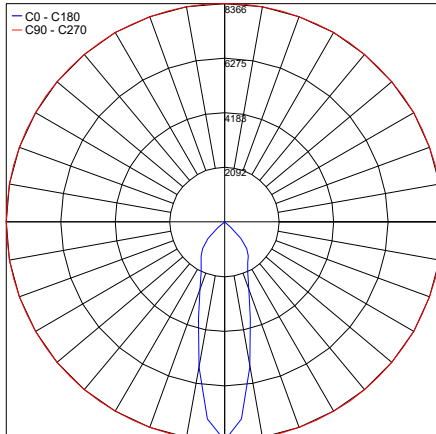
Maximum Candela = 4300.2



PHOTOMETRIC FILENAME : GT19892 - G3 PRO 40W 30K BROAD WHITE REF.IES

40W - Black Reflector - Narrow Optics

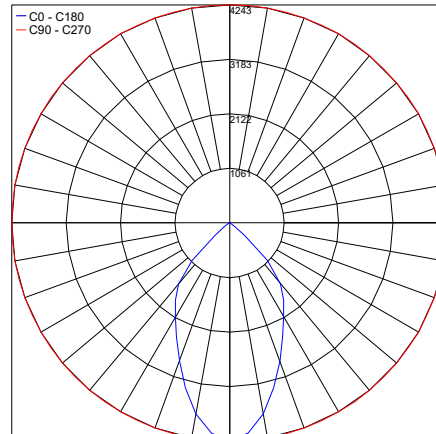
Maximum Candela = 8366.2



PHOTOMETRIC FILENAME : GT19901 - G3 PRO 40W 30K NARROW BLACK REF.IES

40W - White Reflector - Narrow Optics

Maximum Candela = 4243.4



PHOTOMETRIC FILENAME : GT19900 - G3 PRO 40W 30K BROAD BLACK REF.IES

Job Name/Date:

Fixture Type Designation: