

# HANDLE 300

HANDLE is an outdoor lighting solution fashioned after the traditional form of innovation and safety, that can be used ceiling mounted, wall mounted, or as a bollard. With a rotatable 360° central element, it is a style statement, a tribute to design history, and a step into the future of outdoor lighting with precise control of the light output, both direct and indirect. It is offered in 3 sizes, 5 light beam options, and 5 standard finishes. Handle 300 is the 12.3" wide version (16.5" for bollard).



## TECHNICAL DATA

<b>Wattage</b>	6W, 4W (diffuse)
<b>Power Supply</b>	Remote 350mA, not included. See page 2.
<b>Construction</b>	Body: Die-cast Aluminum, Extruded Aluminum Lens: Extra Clear Glass, Opal Glass (diffuse)
<b>CCT</b>	3000K (2200K, 2700K, RGBW on request)
<b>BUG Rating</b>	Coming Soon
<b>CRI</b>	>90
<b>Delivered Lumens</b>	610 lm (20°), 590 lm (30°), 535 lm (55°), 590 lm (20°x50°), 180 lm (Diffuse 120°)
<b>Efficacy</b>	101 lm/W (20°), 98 lm/W (30°), 88 lm/W (55°), 98 lm/W (20°x50°), 45 lm/W (Diffuse 120°)
<b>Optics</b>	20°, 30°, 55°, 20°x50°, Diffuse 120°
<b>Finishes</b>	Black, Gray, Graphite, White, Oxide
<b>Fixture Dimensions</b>	Wall & Ceiling: 12.32" w x 4.76" h x 1.77" thick Bollard: 16.54" w x 9.84" h x 1.77" thick
<b>Lumen Maintenance</b>	L80, B15 >60,000hrs (Ta 40°C)
<b>Color Consistency</b>	3-Step MacAdam
<b>IP Rating</b>	IP66
<b>Impact Resistance</b>	IK08

## ORDERING INFORMATION

Example: LNHD50POSMB7ZL.US. Accessories / Power Supply ordered separately.

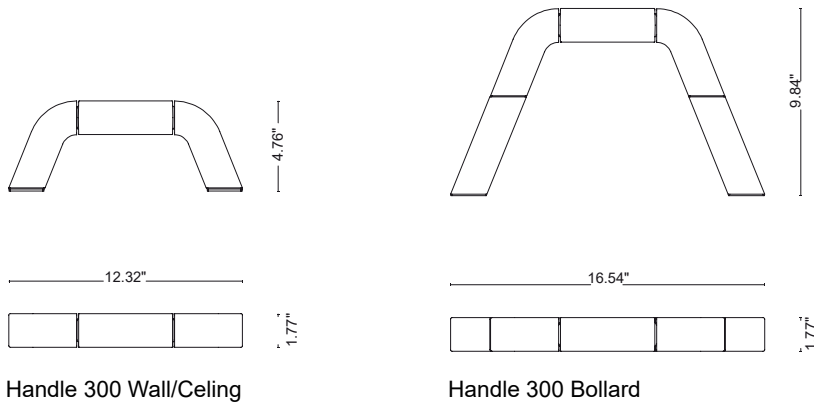
LNHD50POS		HB7Z		US
Model No.	Optics		Finish	
LNHD50POS	S - Spot 20° M - Medium 30° W - Wide Flood 55° E - Elliptic 20°x50° D - Diffuse 120°	HB7Z	G - Black H - Gray L - Graphite U - White V - Oxide	US

Fixture Dimensions - see page 2

Job Name/Date:

Fixture Type Designation:

## FIXTURE DIMENSIONS



## SUGGESTED POWER SUPPLIES

350mA

Part Number	Description	Input/Output	# of Fixtures	
			6W	4W Diffuse
<a href="#">PPLT00211</a>	Non-Dim	120VAC to 350mA, 10W, Class 2	1-1	1-3
<a href="#">PPLT00496</a>	Phase Dim (120V only)	120VAC to 350mA, 12W, Class 2, DAMP	1-2	1-2
<a href="#">PPLT00465-P</a>	0-10V Dimming to 1.0%	120-277VAC to 350mA, 20W, Class 2, DAMP	1-3	1-4
<a href="#">PPLT00263</a>	Leading / Trailing Edge Dimming to 10% (120V only)	120-277VAC to 350mA, 32W, Class 2	2-3	2-3
<a href="#">PPLT00467-P</a>	0-10V Dimming to 1.0%	120-277VAC to 350mA, 50W, Class 2, DAMP	1-4	1-4
<a href="#">PPLT00538-P</a>	0-10V Dimming to 0.1% (4 channels)	120-277VAC to 350mA, 100W, Class 2	1-16	1-16

## Suggested Lutron Compatible

Part Number	Option	Lutron SKU	Dim Range	Description	Input/Output	# of Fixtures	
						6W	4W
<a href="#">PPLT00247</a>	L3DAE / L3DA3W	L3DA	100%-1%	Hi-Lume™ 1% EcoSystem™ or 1% 3-Wire LED Driver	120-277VAC to 350mA, 7W, Class 2	1-1	1-1
<a href="#">PPLT00516</a>	L3DAE / L3DA3W	L3DA	100%-1%	Hi-Lume™ 1% EcoSystem™ or 1% 3-Wire LED Driver	120-277VAC to 350mA, 13W, Class 2	2-2	2-3
<a href="#">PPLT00179</a>	L3DAE / L3DA3W	L3DA	100%-1%	Hi-Lume™ 1% EcoSystem™ or 1% 3-Wire LED Driver	120-277VAC to 350mA, 19W, Class 2	3-3	3-4

For other power supply options consult factory.

## ACCESSORIES



**00KHDSBL.250\_**  
 Bollard Kit - Height 9.84 in  
**G** - Black  
**L** - Graphite  
**H** - Gray  
**V** - Oxide  
**U** - White

**Order Separately for Bollard - Not Included**

**00KHD50SPU**  
 Cable Covering Plate  
 White Finish

**PHOTOMETRIC DATA**  
 Coming Soon

Job Name/Date:

Fixture Type Designation: