

HANDLE 500

HANDLE is an outdoor lighting solution fashioned after the traditional form of innovation and safety, that can be used ceiling mounted, wall mounted, or as a bollard. With a rotatable 360° central element, it is a style statement, a tribute to design history, and a step into the future of outdoor lighting with precise control of the light output, both direct and indirect. It is offered in 3 sizes, 5 light beam options, and 5 standard finishes. Handle 500 is the 20.5" wide version (24.6" for bollard).



TECHNICAL DATA

Wattage	24W, 15W (diffuse)
Power Supply	Remote 350mA, not included. See page 2.
Construction	Body: Die-cast Aluminum, Extruded Aluminum Lens: Extra Clear Glass, Opal Glass (diffuse)
CCT	3000K (2200K, 2700K, RGBW on request)
BUG Rating	Coming Soon
CRI	>90
Delivered Lumens	1830 lm (20°), 1770 lm (30°), 1600 lm (55°), 1770 lm (20°x50°), 565 lm (Diffuse 120°)
Efficacy	76 lm/W (20°), 74 lm/W (30°), 60 lm/W (55°), 74 lm/W (20°x50°), 47 lm/W (Diffuse 120°)
Optics	20°, 30°, 55°, 20°x50°, 120°
Finishes	Black, Gray, Graphite, White, Oxide
Fixture Dimensions	Wall & Ceiling: 20.47" w x 4.76" h x 1.77" thick Bollard: 24.61" w x 9.84" h x 1.77" thick
Lumen Maintenance	L80, B15 >60,000hrs (Ta 40°C)
Color Consistency	3-Step MacAdam
IP Rating	IP66
Impact Resistance	IK08

ORDERING INFORMATION

Example: LNHD52POSMB10L.US. Accessories / Power Supply ordered separately.

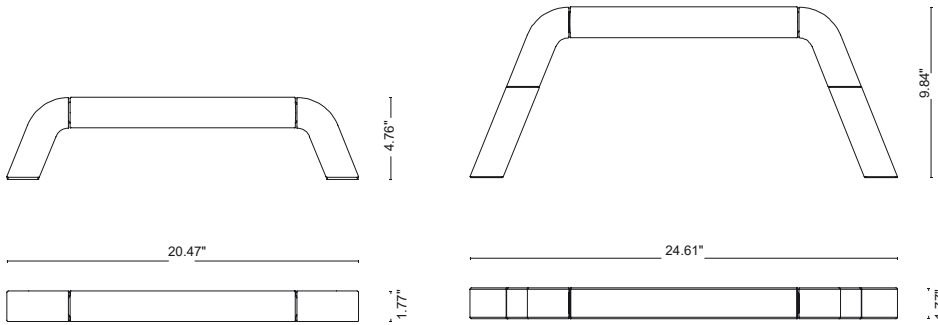
LNHD52POS		HB10		US
Model No.	Optics		Finish	
LNHD52POS	S - Spot 20° M - Medium 30° W - Wide Flood 55° E - Elliptic 20°x50° D - Diffuse 120°	HB10	G - Black H - Gray L - Graphite U - White V - Oxide	US

Fixture Dimensions on Page 2.

Job Name/Date:

Fixture Type Designation:

FIXTURE DIMENSIONS



Handle 500 Wall/Ceiling

Handle 500 Bollard

SUGGESTED POWER SUPPLIES

350mA

Part Number	Description	Input/Output	# of Fixtures	
			16W	15W Diffuse
PPLT00308-P	0-10V Dimming to 0.1%	120-277VAC to 350mA, 30W, Class 2, DAMP	1-1	1-1
PPLT00263	Leading / Trailing Edge Dimming to 10% (120V only)	120-277VAC to 350mA, 32W, Class 2	1-1	1-1
PPLT00467-P	0-10V Dimming to 1.0%	120-277VAC to 350mA, 50W, Class 2, DAMP	1-1	1-1
PPLT00538-P	0-10V Dimming to 0.1% (4 channels)	120-277VAC to 350mA, 100W, Class 2	1-4	1-4

Suggested Lutron Compatible

Part Number	Option	Lutron SKU	Dim Range	Description	Input/Output	# of Fixtures	
						16W	15W
PPLT00179	L3DAE / L3DA3W	L3DA	100%-1%	Hi-Lume™ 1% EcoSystem™ or 1% 3-Wire LED Driver	120-277VAC to 350mA, 19W, Class 2	—	1-1

For other power supply options consult factory.

ACCESSORIES



00KHDBL.250_

Bollard Kit - Height 9.84 in

- G - Black
- L - Graphite
- H - Gray
- V - Oxide
- U - White

Order Separately for Bollard - Not Included

00KHD50SPU

Cable Covering Plate

White Finish

PHOTOMETRIC DATA

Coming Soon

Job Name/Date:

Fixture Type Designation: