

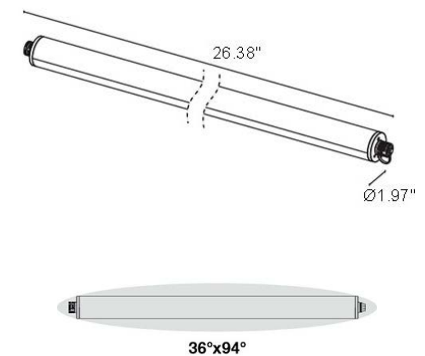
Vitre is a cylindrical linear profile which can be surface mounted with brackets, suitable for architectural facade lighting and high humidity environments. It is available in 3 different lengths with an integral power supply, and diffuse or elliptical optics. Vitre 2.0 is the 26.4" version.



TECHNICAL DATA

Wattage / Input	18W (120-277VAC)
Power Supply	Integral (ON/OFF or Dimming)
Construction	End Caps: AISI 316L Stainless Steel Heat Sink: Internal Anticorodal Aluminum Lens: Transparent Polycarbonate
CCT	2200K, 2700K, 3000K, 4000K
CRI	80
BUG Rating	B1-U1-G1 (3000K)
Delivered Lumens	2005 lm (3000K, Diffuse)
Efficacy	111.4 lm/W (3000K, Diffuse)
Optics	36°x94°, Diffuse
Finish	Polycarbonate
Fixture Dimensions	Ø1.97" x 26.38" l
Fixture Weight	4.19 lbs
LED Source	48 Mid-Power LEDs
Lumen Maintenance	80,000h L80 B10 (Ta 25°C)
Color Consistency	3-Step MacAdam
Operating Temp.	-4°F - 113°F
IP Rating	IP65, IP67
Impact Rating	IK10

Fixture Dimensions



ORDERING INFORMATION

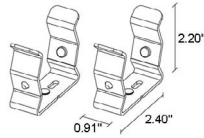
Example: VT20100D00N0WP. Accessories ordered separately - some required.

VT2010				P
Model #	Control System	CCT	Optics	Finish
VT2010	0D - Dimmable 00 - ON/OFF	00N - 2200K 00F - 2700K 005 - 3000K 009 - 4000K	0W - 36°x94° 0D - Diffuse	P - Polycarbonate

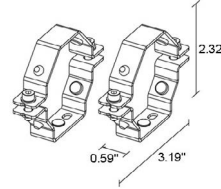
Job Name/Date:

Fixture Type Designation:

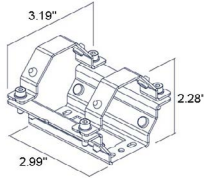
ACCESSORIES - Installation



WMA04
Clips Pair
Required, not included.



WMA05
Pair of temper-resistant clips
Required, not included.



WMA08
Mounting clips
for in/out connection

ACCESSORIES - Wiring Materials



WFA0005
16.4 ft 4-pin interconnect cable
For DALI or 0/1-10V version



WFA0101
4.9 ft 4-pin interconnect cable
For DALI or 0/1-10V version



WFA01
4-pin male connector
For in/out connection IP68

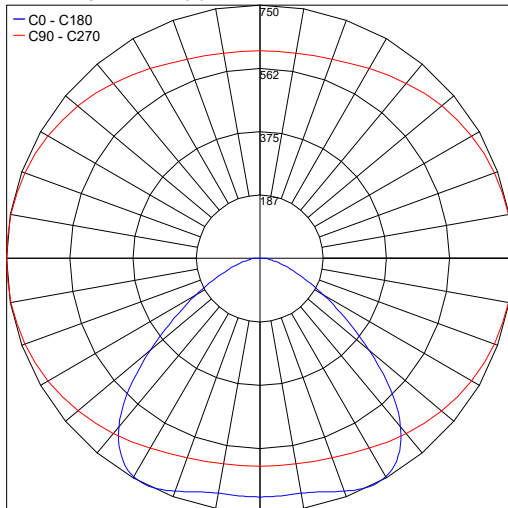


WF07
4-pin female connector
IP66-IP68

PHOTOMETRIC DATA

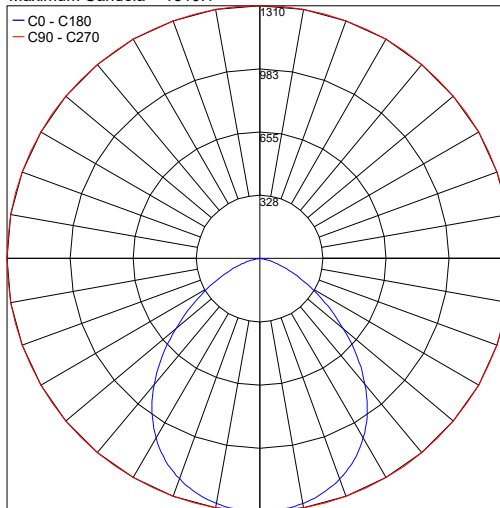
Note all Photometry is 3000K

Maximum Candela = 749.6



PHOTOMETRIC FILENAME : VITRE_2.0_D_3000K_18W.IES

Maximum Candela = 1310.1



PHOTOMETRIC FILENAME : VITRE_2.0_W_36X94_3000K_18W.IES

Job Name/Date:

Fixture Type Designation: