

KOS

MINIMALISM IS AN ATTITUDE, AND FRANCESCONI MAKES IT STYLISH AND FUNCTIONAL. KOS IS ONE OF THE MOST SHINING EXAMPLES OF HOW PRECISION DOES NOT INHIBIT AN EASY INSTALLATION OR A PRODUCTS VERSATILITY. OUR SMALL, BOX-SHAPED VERSION ALLOWS FOR INVISIBLE INSTALLATIONS AND EFFECTIVE PROTECTION FROM BAD WEATHER.

COMMON FEATURES:

- 6026 ANTICORODAL ALUMINUM HOUSING.
- DIE CAST(ED) ENAB46100 ALUMINUM TIPS.
- HIGH-RESISTANCE DOUBLE PAINTING PROCESS (UNI ISO9227:2012 SALINE TEST COMPLIANT).
- A4 STAINLESS STEEL SEALING ALLEN SCREWS.
- EXTRA CLEAR TEMPERED GLASS SCREEN.
- SINGLE-CABLE INPUT, PRE-ASSEMBLED WITH NEOPRENE CABLE AND IP68 WATER-STOP FAST CONNECTOR.
- SILICON GASKET.
- COMPLIANT EN60598-1 AND RELATED ANNEX

RECESSED INGROUND FEATURES:

- AVAILABLE ALSO WITH MARINE GRADE STAINLESS STEEL 316L RING.
- POLYPROPYLENE RECESSING BOX.

DOWNLIGHT FEATURES:

- AVAILABLE ALSO WITH MARINE GRADE STAINLESS STEEL 316L RING.
- STAINLESS STEEL BRACKETS.

WALL MOUNT FEATURES:

- ALLUMINIUM COVER.

FLOODLIGHT FEATURES:

- STAINLESS STEEL 316L BRACKET.

designplan® 

79 Trenton Avenue
Frenchtown, NJ 08825

www.designplan.com

Tel: (908) 996-7710
Fax: (908) 996-7042



RESTART FROM THE BASICS

THE MOST INCONVENIENT THING A LIGHT FIXTURE CAN DO IS OVERPOWER THE SPACE THAT HOST IT. KOS, ON THE OTHER HAND, LIGHTS ENVIRONMENTS WITH DELICACY AND DISCRETION, ALLOWING THE SURFACES THAT REFLECT IT TO BE THE STARS OF THE SHOW.



BEAM MY GUEST

WE CAN'T REPEAT IT ENOUGH: EACH PROJECT REQUIRES A SPECIFIC TYPE OF LIGHTING. SO WHY RELY ON GENERIC LIGHT FIXTURES? KOS CAN MOUNT A VERY WIDE RANGE OF LENSES, AND OPTICAL EQUIPMENT. THIS ALLOWS YOU TO INSTALL IT INTO ANY ARCHITECTURAL SITUATION, WHETHER YOU WANT TO FOCUS ON A DETAIL, AVOID GLARE, OR EXPAND YOUR BOUNDARIES OF LIGHT, KOS WILL ALWAYS PROVIDE YOU WITH THE RIGHT SOLUTION.

EVERYWHERE

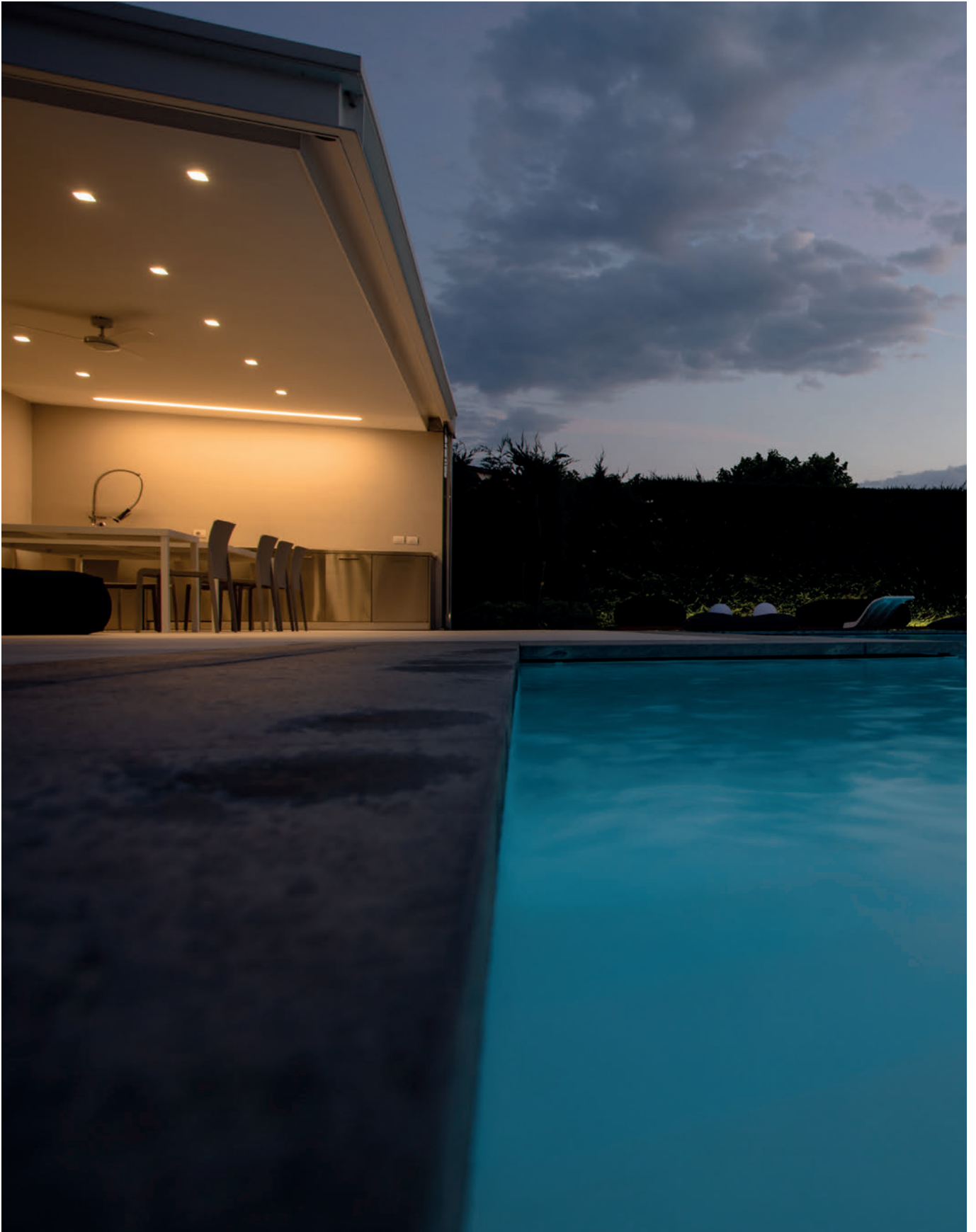


SOME PEOPLE WANT THEIR LIGHT FIXTURE ON THE CEILING, OTHERS WANT IT ON THE WALL WITH A DIFFERENT FINISH. IT CAN BE DIFFICULT TO PLEASE EVERYONE. KOS HOWEVER MAKES IT EASY TO DO SO. ITS VERSATILITY PERMITS OUR CUSTOMERS TO UTILIZE IT IN MANY DIFFERENT SCENARIOS WITH A VAST NUMBER OF POSSIBLE FUNCTIONS. EACH VERSION OF KOS FEATURES THE BEST ELECTRONICS WITH GREAT RELIABILITY AND DURABILITY, TWO STAPLES OF THE FRANCESCOINI BRAND.

IP68 QUICK CONNECTION



PERFECT PRODUCT, BUT DIFFICULT INSTALLATION? OFTEN WHAT JEOPARDIZES AN INSTALLATION, ARE THE MATERIALS USED ONCE THE PRODUCT ARRIVES ON SITE. FOR THIS REASON, KOS, LIKE MOST FRANCESCOINI LIGHT FIXTURES, IS SUPPLIED WITH A PRE-ASSEMBLED CABLE AND CONNECTOR: THIS GUARANTEES AN EASY AND RELIABLE INSTALLATION AND ENSURES THAT THE FRANCESCOINI QUALITY REMAINS INTACT.





KOS RECESSED WHITE LED



PERFORMANCE DATA

TRUE POWER (W)	10.0
TRUE LUMENS (3000K)	860 (.01)
TRUE LUMENS (4000K)	910 (.01)
L90 LIFETIME (HRS)	90,000 - Ta 35°C

TRUE POWER (W)	10.0
TRUE LUMENS (3000K)	560 (.06)
TRUE LUMENS (4000K)	600 (.06)
L90 LIFETIME (HRS)	90,000 - Ta 35°C

TRUE POWER (W)	10.0
TRUE LUMENS (3000K)	392 (.05)
TRUE LUMENS (4000K)	420 (.05)
L90 LIFETIME (HRS)	90,000 - Ta 35°C

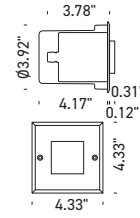
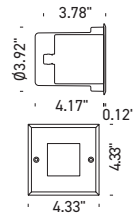
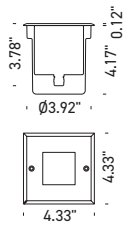
BUILD DATA

NOMINAL VOLTAGE	500mA 50/60Hz
POWER SUPPLY	REMOTE
EXTERNAL CABLE	SINGLE INPUT 3-POLES NEOPRENE
PROTECTION RATING	IP68 FAST CONNECTION
MAX LOAD	IP67 - IK08 661.4 LBS (WALK OVER)

NOMINAL VOLTAGE	500mA 50/60Hz
POWER SUPPLY	REMOTE
EXTERNAL CABLE	SINGLE INPUT POLES NEOPRENE
PROTECTION RATING	IP68 FAST CONNECTION
MAX LOAD	IP67 - IK08

NOMINAL VOLTAGE	500mA 50/60Hz
POWER SUPPLY	REMOTE
EXTERNAL CABLE	SINGLE INPUT 3-POLES NEOPRENE
PROTECTION RATING	IP68 FAST CONNECTION
MAX LOAD	IP67 - IK08

DIMENSIONS



CODE COMPOSITION



● FINISH	.1 - ANTHRACITE
	.4 - ALU GREY (RAL9006)
	.6 - AISI 316L S.STEEL
■ LED COLOR	.2 - 2700°K - CRI > 80
	.3 - 3000°K - CRI > 80
	.4 - 4000°K - CRI > 80
▲ BEAM	.01 - 10° SPOT
	.36 - 25° MEDIUM
	.57 - 20°x115° ELLIPTICAL
	.37 - 115°x20° ELLIPTICAL
	.34 - 65° WIDE



● FINISH	.1 - ANTHRACITE
	.4 - ALU GREY (RAL9006)
	.6 - AISI 316L S.STEEL
■ LED COLOR	.2 - 2700°K - CRI > 80
	.3 - 3000°K - CRI > 80
	.4 - 4000°K - CRI > 80
▲ BEAM	.06 - ASYMMETRICAL



● FINISH	.1 - ANTHRACITE
	.4 - ALU GREY (RAL9006)
	.6 - AISI 316L S.STEEL
■ LED COLOR	.2 - 2700°K - CRI > 80
	.3 - 3000°K - CRI > 80
	.4 - 4000°K - CRI > 80
▲ BEAM	.05 - DIFFUSED

KOS DOWNLIGHT WHITE LED



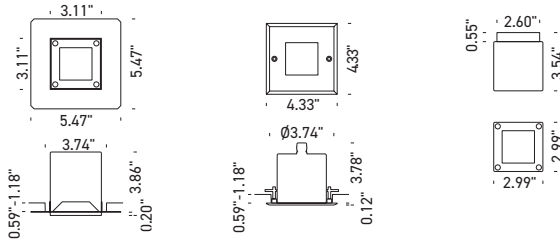
PERFORMANCE DATA

TRUE POWER (W)	10.0	10.0	10.0
TRUE LUMENS (3000K)	860 (.01)	860 (.01)	860 (.01)
TRUE LUMENS (4000K)	910 (.01)	910 (.01)	910 (.01)
L80B20 LIFETIME (HRS)	90,000 - T _a 35°C	90,000 - T _a 35°C	90,000 - T _a 35°C

BUILD DATA

NOMINAL VOLTAGE	500mA 50/60Hz	500mA 50/60Hz	500mA 50/60Hz
POWER SUPPLY	REMOTE	REMOTE	REMOTE
EXTERNAL CABLE	SINGLE INPUT 3-POLES NEOPRENE IP68 FAST CONNECTION	SINGLE INPUT 3-POLES NEOPRENE IP68 FAST CONNECTION	SINGLE INPUT 3-POLES NEOPRENE IP68 FAST CONNECTION
PROTECTION RATING	IP66 - IK08	IP66 - IK08	IP66 - IK08

DIMENSIONS



CODE COMPOSITION

	20504	20526	20548
● FINISH	.2 - PURE WHITE (RAL9010) .3 - JET BLACK (RAL9005)	.2 - PURE WHITE (RAL9010) .3 - JET BLACK (RAL9005) .6 - AISI 316L S.STEEL	.2 - PURE WHITE (RAL9010) .3 - JET BLACK (RAL9005)
■ LED COLOR	.2 - 2700°K - CRI > 80 .3 - 3000°K - CRI > 80 .4 - 4000°K - CRI > 80	.2 - 2700°K - CRI > 80 .3 - 3000°K - CRI > 80 .4 - 4000°K - CRI > 80	.2 - 2700°K - CRI > 80 .3 - 3000°K - CRI > 80 .4 - 4000°K - CRI > 80
▲ BEAM	.01 - 10° SPOT .36 - 25° MEDIUM .57 - 20° x 115° ELLIPTICAL .37 - 115° x 20° ELLIPTICAL .34 - 65° WIDE	.01 - 10° SPOT .36 - 25° MEDIUM .57 - 20° x 115° ELLIPTICAL .37 - 115° x 20° ELLIPTICAL .34 - 65° WIDE	.01 - 10° SPOT .36 - 25° MEDIUM .57 - 20° x 115° ELLIPTICAL .37 - 115° x 20° ELLIPTICAL .34 - 65° WIDE

KOS WALL WHITE LED



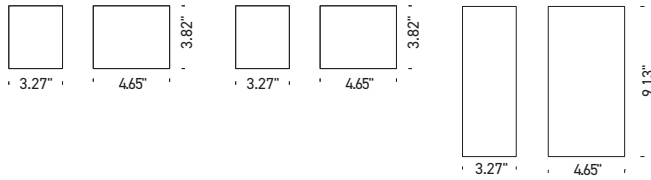
PERFORMANCE DATA

TRUE POWER (W)	10.0	5.0	20.0
TRUE LUMENS (3000K)	860 (.01)	248 (.05)	1710 (.01)
TRUE LUMENS (4000K)	910 (.01)	258 (.05)	1815 (.01)
L90 LIFETIME (HRS)	90,000 - Ta 35°C	90,000 - Ta 35°C	90,000 - Ta 35°C

BUILD DATA

NOMINAL VOLTAGE	500mA 50/60Hz	500mA 50/60Hz	1000mA 50/60Hz
POWER SUPPLY	REMOTE	REMOTE	REMOTE
EXTERNAL CABLE	SINGLE INPUT	SINGLE INPUT	SINGLE INPUT
	3-POLES NEOPRENE	3-POLES NEOPRENE	3-POLES NEOPRENE
PROTECTION RATING	IP68 FAST CONNECTION	IP68 FAST CONNECTION	IP68 FAST CONNECTION
EMISSION	IP66 - IK08	IP66 - IK08	IP66 - IK08
	SINGLE EMISSION	DOUBLE EMISSION	DOUBLE EMISSION

DIMENSIONS



CODE COMPOSITION

	30528	30530	30529
● FINISH	.1 - ANTHRACITE .2 - PURE WHITE (RAL9010) .4 - ALU GREY (RAL9006)	.1 - ANTHRACITE .2 - PURE WHITE (RAL9010) .4 - ALU GREY (RAL9006)	.1 - ANTHRACITE .2 - PURE WHITE (RAL9010) .4 - ALU GREY (RAL9006)
■ LED COLOR	.2 - 2700°K - CRI > 80 .3 - 3000°K - CRI > 80 .4 - 4000°K - CRI > 80	.2 - 2700°K - CRI > 80 .3 - 3000°K - CRI > 80 .4 - 4000°K - CRI > 80	.2 - 2700°K - CRI > 80 .3 - 3000°K - CRI > 80 .4 - 4000°K - CRI > 80
▲ BEAM	.01 - 10° SPOT .36 - 25° MEDIUM .57 - 20° x 115° ELLIPTICAL .37 - 115° x 20° ELLIPTICAL .34 - 65° WIDE .06 - ASYMMETRICAL	.05 - DIFFUSED	.01 - 10° SPOT .36 - 25° MEDIUM .57 - 20° x 115° ELLIPTICAL .37 - 115° x 20° ELLIPTICAL .34 - 65° WIDE .06 - ASYMMETRICAL

KOS FLOODLIGHT WHITE & RGB+W LED



CORE

PRO
(ON-BOARD DMX)

PERFORMANCE DATA

TRUE POWER (W)	10.0
TRUE LUMENS (3000K)	860 (.01)
TRUE LUMENS (4000K)	910 (.01)
L90 LIFETIME (HRS)	90,000 - Ta 35°C

12.0 MAX
R=44, B=27, G=110, W=152 (6500K)
90,000 - Ta 35°C

12.0 MAX
R=44, B=27, G=110, W=152 (6500K)
90,000 - Ta 35°C

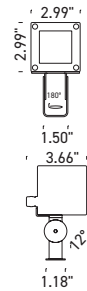
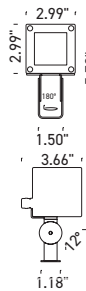
BUILD DATA

NOMINAL VOLTAGE	500mA 50/60Hz
POWER SUPPLY	REMOTE
EXTERNAL CABLE	SINGLE INPUT
	3-POLES NEOPRENE
	IP68 FAST CONNECTION
PROTECTION RATING	IP66 - IK08
EMISSION	MULTIBEAM

24VDC - 4 x PWM-CV
SEE END OF SECTION
SINGLE INPUT
6-POLES FEP + RUBBER
IP68 FAST CONNECTION
IP66 - IK08
MULTIBEAM

24VDC - DMX (RDM)
SEE END OF SECTION
SINGLE INPUT
5-POLES FEP + RUBBER
IP68 FAST CONNECTION
IP66 - IK08
MULTIBEAM

DIMENSIONS

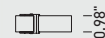


ACCESSORIES



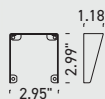
STAINLESS STEEL PEG

A9903



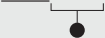
ANCHORING BOLT L=6.56 FT

A0003



ALUMINUM VISOR
(TO BE ORDERED TOGETHER
WITH THE PRODUCT)

A0503



.1 - ANTHRACITE
.4 - ALU GREY (RAL9006)

CODE COMPOSITION

40504



● FINISH

- .1 - ANTHRACITE
- .4 - ALU GREY (RAL9006)

■ LED COLOR

- .2 - 2700°K - CRI > 80
- .3 - 3000°K - CRI > 80
- .4 - 4000°K - CRI > 80

▲ BEAM

- .01 - 10° SPOT
- .36 - 25° MEDIUM
- .57 - 20° x 115° ELLIPTICAL
- .37 - 115° x 20° ELLIPTICAL
- .34 - 65° WIDE

40506

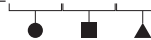


- .1 - ANTHRACITE
- .4 - ALU GREY (RAL9006)

.5 - RGB+W

- .01 - 10° SPOT
- .36 - 25° MEDIUM
- .32 - 45° WIDE
- .38 - 10° x 40°
- .70 - 40° x 10°

40507



- .1 - ANTHRACITE
- .4 - ALU GREY (RAL9006)

.5 - RGB+W

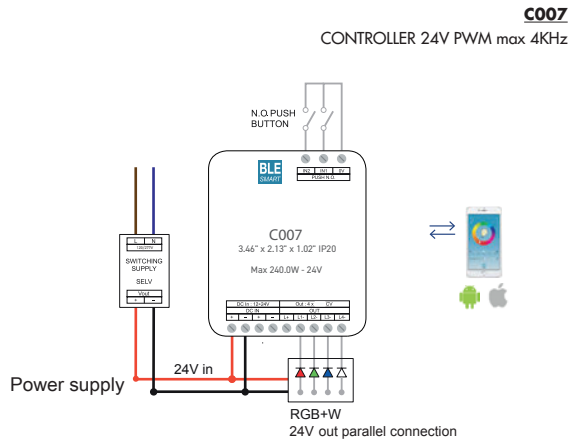
- .01 - 10° SPOT
- .36 - 25° MEDIUM
- .32 - 45° WIDE
- .38 - 10° x 40°
- .70 - 40° x 10°

POWER SUPPLY

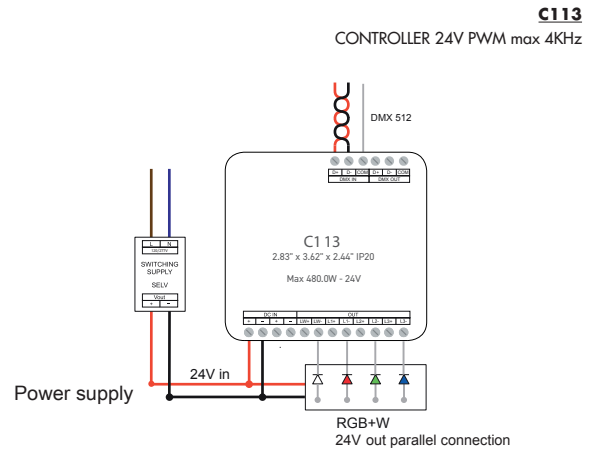
KOS 24V RGB+W CORE

RGB+W CONTROLLER

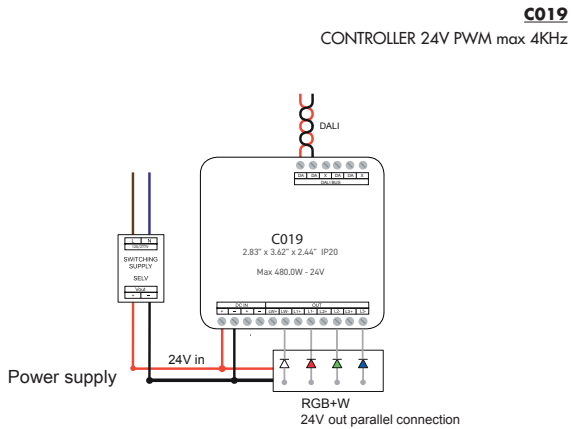
BLUETOOTH / PUSH



DMX



DALI



POWER SUPPLY

KOS 24V RGB+W PRO (ON-BOARD DMX)

RGB+W CONTROLLER

DMX

D041

TOUCH PANEL 3.39" x 3.39" x 1.42"

C106

RDM ADDRESS PROGRAMMING DEVICE ON DMX CABLE

