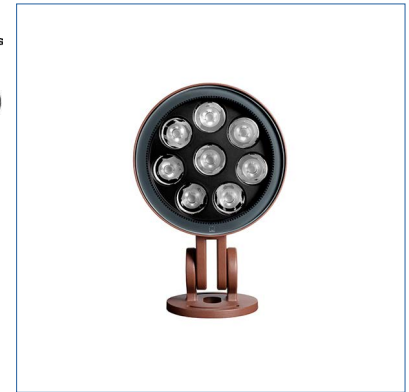


OLIVER 1.0

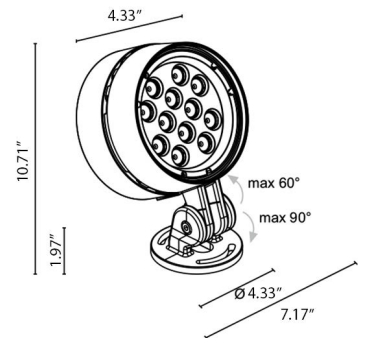
Oliver is a family of outdoor floodlights with high performance and a pared-down design for lighting large facades, public spaces and areas. They are available in 3 sizes (Ø7.1", Ø9.1", Ø11.8") with a wide variety of white-light optics, including a very narrow 5° version, as well as an RGBW version which includes a narrow 10° beam. Oliver 1.0 is the Ø7.1" static white version.



TECHNICAL DATA

Wattage	34W (5° only), 37W
Power Supply	Integral 120-277VAC
Dimming	0-10V Dimming or DALI 2
Construction	Body: Anticorodal Aluminum Lens: 0.31"-Thick Tempered Extra-clear Glass
CCT	2200K, 2700K, 3000K, 4000K
CRI	80
BUG Rating	B3-U0-G0 (3000K, All Optics)
Delivered Lumens	2573 lm (3000K, 5°, 34W) 3300 lm (3000K, 10°, 37W)
Efficacy	75.7 lm/W (3000K, 5°, 34W) 89.2 lm/W (3000K, 10°, 37W)
Optics	7 Standard (see below)
Finishes	Anthracite, Corten, Gray, White
Fixture Dimensions	Ø7.09" x 10.71" x 4.69"
Fixture Weight	8.82 lbs
LED Source	12 Power LEDs
Lumen Maintenance	L80, B10 >60,000hrs (Ta 25°C)
Color Consistency	2-Step MacAdam
Operating Temp.	-4°F to +122°F
IP Rating	IP66
Impact Rating	IK09

Fixture Dimensions



ORDERING INFORMATION

Example: LV10110100N0TH-1. Accessories ordered separately.

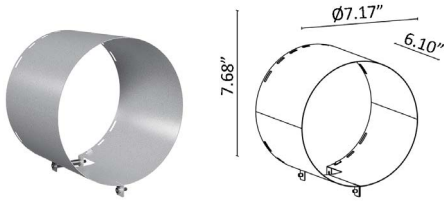
LV101							- 1UL
Model #	Wattage	Power/Dim	Optical Accessory	CCT	Optics	Finish	Cable Length
LV101	0 - 34W (5° only) 1 - 37W NOTE: 34W ONLY available in 5°. 37W NOT available in 5°	01 - 0-10V 0D - DALI-2	00 - No accessory 01 - Honeycomb Louver NOTE: Honeycomb Louver can be built-in except for on 5° version. <i>Honeycomb Louver NOT available for 10°x65° adjustable version.</i>	N - 2200K F - 2700K 5 - 3000K 9 - 4000K	0T - 5° (34W only) 0S - 10° 0M - 20° 0L - 31° 0K - 56° 0W - 13° x 51° 0X - 10°x65° adj.	H - Anthracite T - Corten F - Gray E - White	1UL - 16.40'

Job Name/Date:

Fixture Type Designation:

ACCESSORIES

Anti-Glare

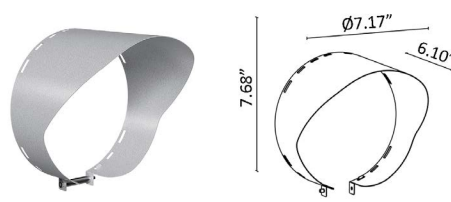


WBA18_

Standard Snoot

Choose one of the below finishes:

- E - White
- F - Gray
- H - Anthracite
- T - Cor-ten



WBA19_

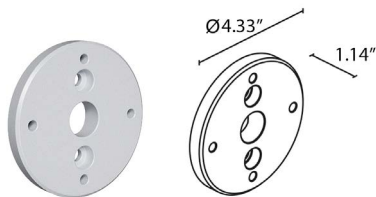
Asymmetric Snoot

Choose one of the below finishes:

- E - White
- F - Gray
- H - Anthracite
- T - Cor-ten

ACCESSORIES

Installation

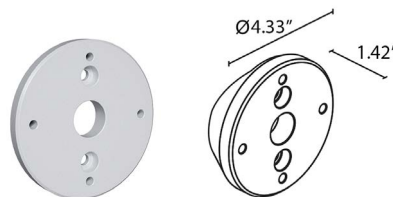


WPA12_

Flange for 3.0" Pole Installation - **Ø2.36"**

Choose one of the below finishes:

- E - White
- F - Gray
- H - Anthracite
- T - Cor-ten



WPA13_

Flange for 4.0" Pole Installation - **Ø3.50"**

Choose one of the below finishes:

- E - White
- F - Gray
- H - Anthracite
- T - Cor-ten

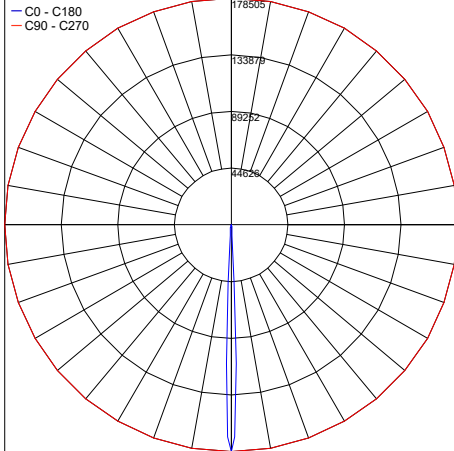
Job Name/Date:

Fixture Type Designation:

PHOTOMETRIC DATA

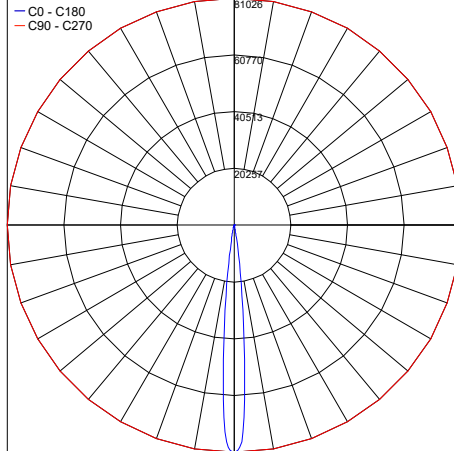
Note: All Photometry is 3000K

Maximum Candela = 178504.7



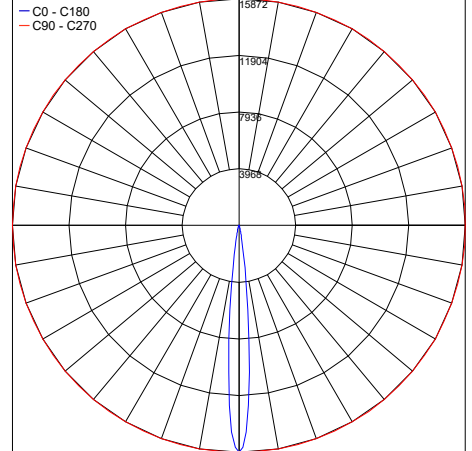
PHOTOMETRIC FILENAME : OLIVER_1.0_V_5_3000K_34W.IES

Maximum Candela = 81026.5



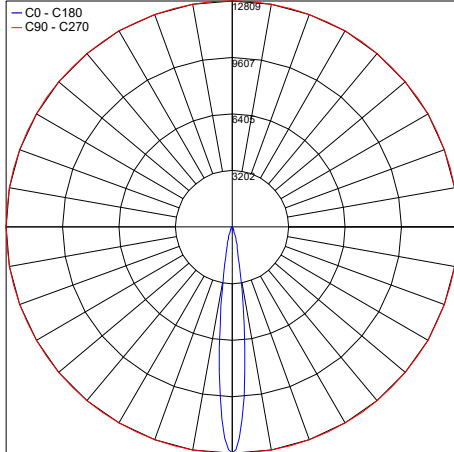
PHOTOMETRIC FILENAME : OLIVER_1.0_S_10_3000K_37W.IES

Maximum Candela = 15871.8



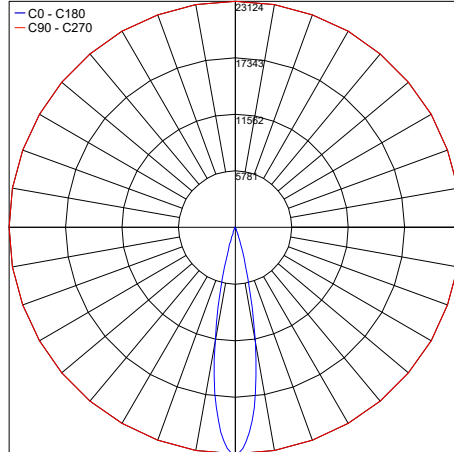
PHOTOMETRIC FILENAME : OLIVER_1.0_X_10X65_3000K_37W.IES

Maximum Candela = 12809.4



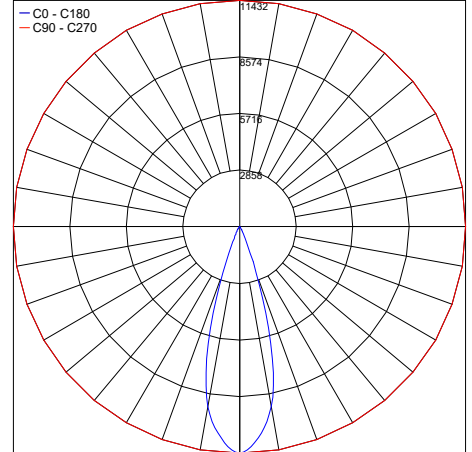
PHOTOMETRIC FILENAME : OLIVER_1.0_W_13X51_3000K_37W.IES

Maximum Candela = 23124.4



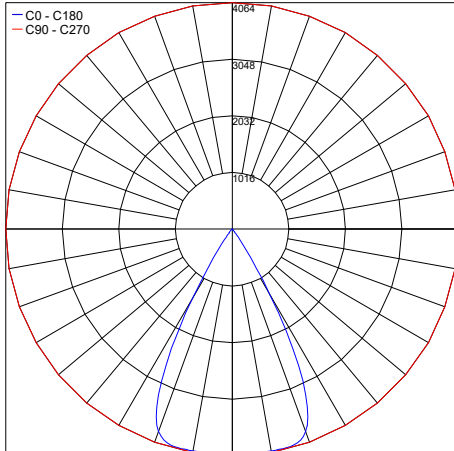
PHOTOMETRIC FILENAME : OLIVER_1.0_M_20_3000K_37W.IES

Maximum Candela = 11432.0



PHOTOMETRIC FILENAME : OLIVER_1.0_L_31_3000K_37W.IES

Maximum Candela = 4064.2



PHOTOMETRIC FILENAME : OLIVER_1.0_K_56_3000K_37W.IES

Job Name/Date:

Fixture Type Designation: