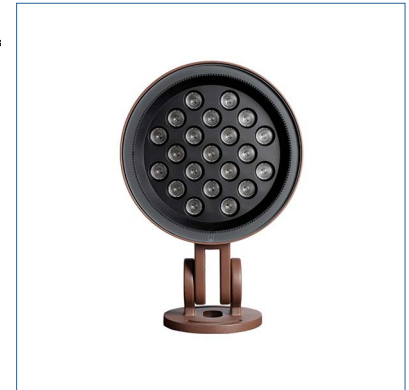


OLIVER 2.0

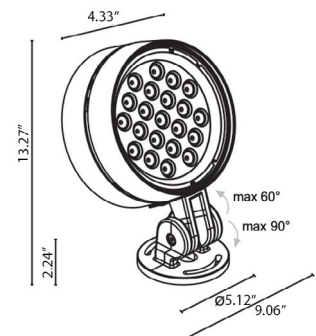
Oliver is a family of outdoor floodlights with high performance and a pared-down design for lighting large facades, public spaces and areas. They are available in 3 sizes (Ø7.1", Ø9.1", Ø11.8") with a wide variety of white-light optics, including a very narrow 5° version, as well as an RGBW version which includes a narrow 10° beam. Oliver 2.0 is the Ø9.1" static white version.



TECHNICAL DATA

Wattage / Input	59W (5° only), 61W
Power Supply	Integral 120-277VAC
Dimming	0-10V Dimming or DALI 2
Construction	Body: Anticorodal Aluminum Lens: 0.31"-Thick Tempered Extra-clear Glass
CCT	2200K, 2700K, 3000K, 4000K
CRI	80
BUG Rating	B3-U0-G0 (3000K - All Other Optics) B4-U0-G0 (3000K - 19°, 10°)
Delivered Lumens	4502 lm (3000K, 5°, 59W) 5532 lm (3000K, 10°, 61W)
Efficacy	76.3 lm/W (3000K, 5°, 59W) 90.7 lm/W (3000K, 10°, 61W)
Optics	7 Standard (see below)
Finishes	Anthracite, Corten, Gray, White
Fixture Dimensions	Ø9.06" x 13.27" x 5.39"
Fixture Weight	13.23 lbs
LED Source	21 Power LEDs
Lumen Maintenance	L80, B10 >60,000hrs (Ta 25°C)
Color Consistency	2-Step MacAdam
Operating Temp.	-4°F to +122°F
IP Rating	IP66
Impact Rating	IK09

Fixture Dimensions



ORDERING INFORMATION

Example: LV20110100N0TH-1. Accessories ordered separately.

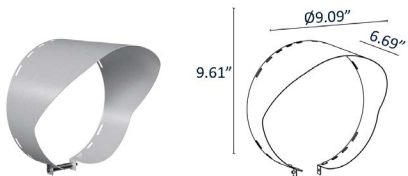
LV201							- 1UL
Model #	Wattage	Power/Dim	Optical Accessory	CCT	Optics	Finish	Cable Length
LV201	0 - 59W (5° only) 1 - 61W NOTE: 59W ONLY available in 5°. 61W NOT available in 5°	01 - 0-10V 0D - DALI-2	00 - No accessory 01 - Honeycomb Louver NOTE: Honeycomb Louver can be built-in except for on 5° version. <i>Honeycomb Louver NOT available for 10°x65° adjustable version.</i>	N - 2200K F - 2700K 5 - 3000K 9 - 4000K	0T - 5° (59W only) 0S - 10° 0M - 19° 0L - 30° 0K - 53° 0W - 12° x 49° 0X - 10°x65° adj.	H - Anthracite T - Corten F - Gray E - White	1UL - 16.40'

Job Name/Date:

Fixture Type Designation:

ACCESSORIES

Anti-Glare



WBA20_

Asymmetrical Snoot

Choose one of the below finishes:

E - White

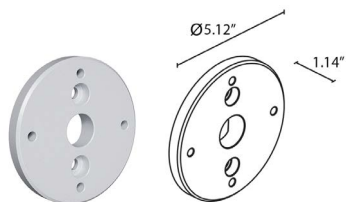
F - Gray

H - Anthracite

T - Cor-ten

ACCESSORIES

Installation



WPA14_

Flange for 3.0" Pole Installation - **Ø2.36"**

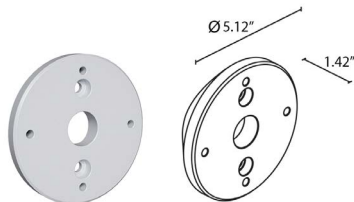
Choose one of the below finishes:

E - White

F - Gray

H - Anthracite

T - Cor-ten



WPA15_

Flange for 4.0" Pole Installation - **Ø3.50"**

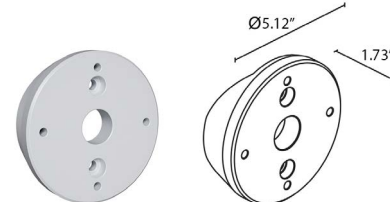
Choose one of the below finishes:

E - White

F - Gray

H - Anthracite

T - Cor-ten



WPA16_

Flange for 5.0" Pole Installation - **Ø4.72"**

Choose one of the below finishes:

E - White

F - Gray

H - Anthracite

T - Cor-ten

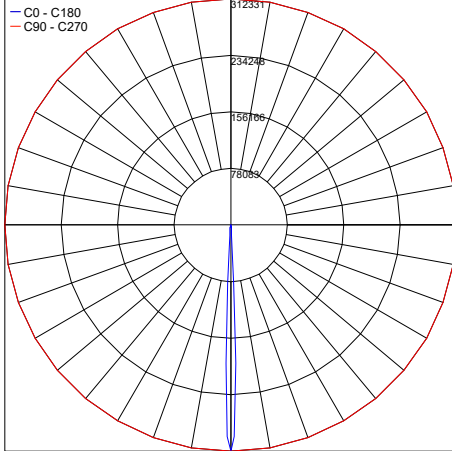
Job Name/Date:

Fixture Type Designation:

PHOTOMETRIC DATA

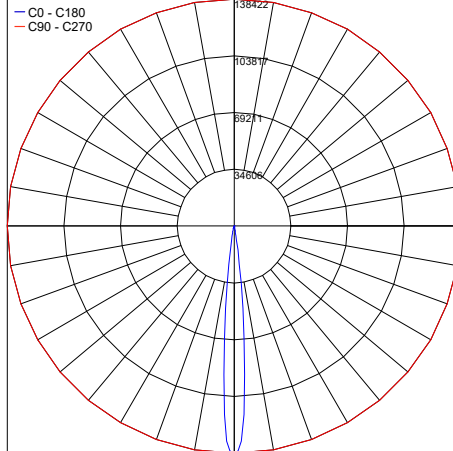
Note: All Photometry is 3000K

Maximum Candela = 312331.1



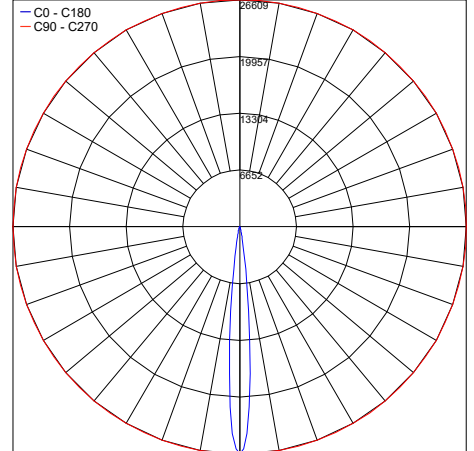
PHOTOMETRIC FILENAME : OLIVER_2.0_V_5_3000K_69W.IES

Maximum Candela = 138422



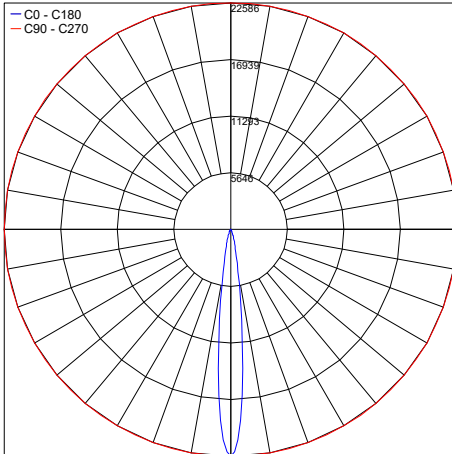
PHOTOMETRIC FILENAME : OLIVER_2.0_S_10_3000K_61W.IES

Maximum Candela = 26609.0



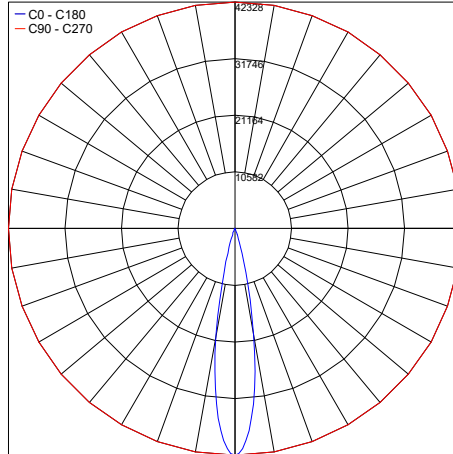
PHOTOMETRIC FILENAME : OLIVER_2.0_X_10x65_3000K_61W.IES

Maximum Candela = 22585.6



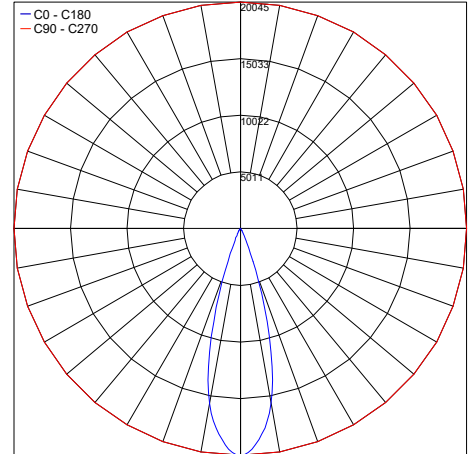
PHOTOMETRIC FILENAME : OLIVER_2.0_W_12x49_3000K_61W.IES

Maximum Candela = 42328.3



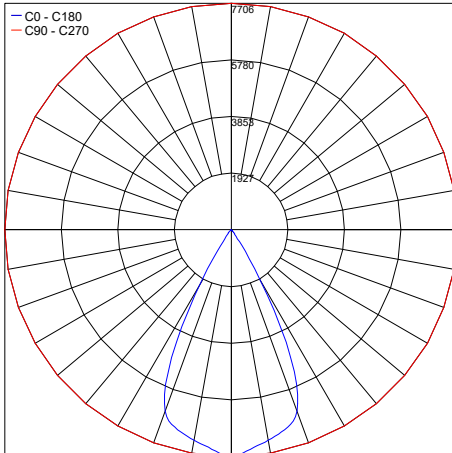
PHOTOMETRIC FILENAME : OLIVER_2.0_M_19_3000K_61W.IES

Maximum Candela = 20044.6



PHOTOMETRIC FILENAME : OLIVER_2.0_L_30_3000K_61W.IES

Maximum Candela = 7706.1



PHOTOMETRIC FILENAME : OLIVER_2.0_K_53_3000K_61W.IES

Job Name/Date:

Fixture Type Designation: