

# OLIVER 2.3

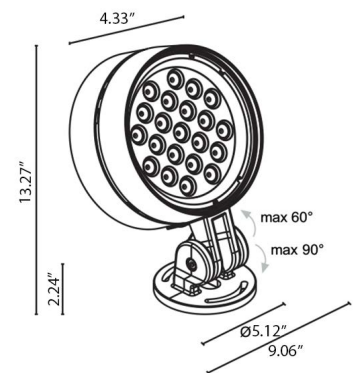
Oliver is a family of outdoor floodlights with high performance and a pared-down design for lighting large facades, public spaces and areas. They are available in 3 sizes (Ø7.1", Ø9.1", Ø11.8") with a wide variety of white-light optics, including a very narrow 5° version, as well as an RGBW version which includes a narrow 10° beam. Oliver 2.3 is the Ø9.1" RGBW version.



## TECHNICAL DATA

<b>Wattage</b>	55W
<b>Power Supply</b>	Integral 120-277VAC
<b>Dimming</b>	DMX
<b>Construction</b>	Body: Anticorodal Aluminum Lens: 0.31"-Thick Tempered Extra-clear Glass
<b>CCT</b>	RGBW
<b>BUG Rating</b>	B2-U0-G0 (3000K - 55°, 34°) B2-U1-G0 (RGBW - 55°, 3000K - 11°x66°) B3-U0-G0 (RGBW - 34°, 24°, 10°, 30K - 24°, 10°)
<b>Delivered Lumens</b>	5761 lm: (R) 929 lm, (G) 1917 lm, (B) 507 lm, (W) 2408 lm (3000K, 10°)
<b>Efficacy</b>	104.7 lm/W: (R) 16.9 lm/W, (G) 26.3 lm/W, (B) 34.9 lm/W, (W) 43.8 lm/W (3000K, 10°)
<b>Optics</b>	5 Standard (see below)
<b>Finishes</b>	Anthracite, Corten, Gray, White
<b>Fixture Dimensions</b>	Ø9.06" x 13.27" x 5.39"
<b>Fixture Weight</b>	11.7 lbs
<b>LED Source</b>	9 High Intensity Multicolor LEDs
<b>Lumen Maintenance</b>	L80, B10 >60,000hrs (Ta 25°C)
<b>Operating Temp.</b>	-4°F to +113°F
<b>IP Rating</b>	IP66
<b>Impact Rating</b>	IK09

Fixture Dimensions



## ORDERING INFORMATION

Example: LV2310N40070SH-1. Accessories ordered separately.

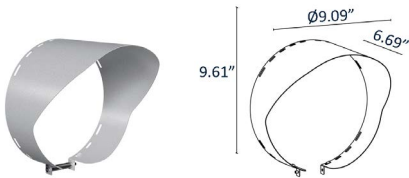
LV231	0N4		7			-	1UL
Model #		Optical Accessory	CCT	Optics	Finish		Cable Length
LV231	0N4	00 - No accessory 01 - Honeycomb Louver <i>NOTE: Honeycomb Louver NOT available for 11°x66° adjustable version.</i>	7 - RGBW	0S - 10° 0M - 24° 0L - 34° 0K - 55° 0X - 11°x66° adjustable <i>NOTE: Honeycomb Louver NOT available for 11°x66° adjustable</i>	H - Anthracite T - Corten F - Gray E - White		1UL - 16.40'

Job Name/Date:

Fixture Type Designation:

## ACCESSORIES

### Anti-Glare



### WBA20\_

Asymmetrical Snoot

Choose one of the below finishes:

E - White

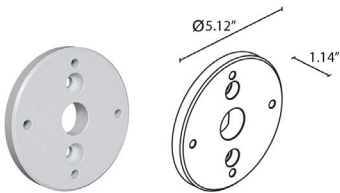
F - Gray

H - Anthracite

T - Cor-ten

## ACCESSORIES

### Installation



### WPA14\_

Flange for 3.0" Pole Installation - **Ø2.36"**

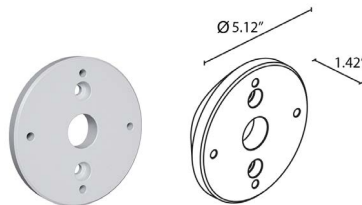
Choose one of the below finishes:

E - White

F - Gray

H - Anthracite

T - Cor-ten



### WPA15\_

Flange for 4.0" Pole Installation - **Ø3.50"**

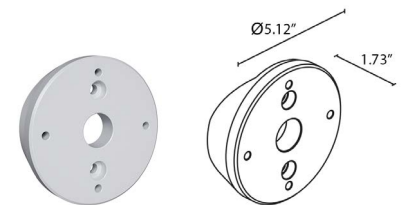
Choose one of the below finishes:

E - White

F - Gray

H - Anthracite

T - Cor-ten



### WPA16\_

Flange for 5.0" Pole Installation - **Ø4.72"**

Choose one of the below finishes:

E - White

F - Gray

H - Anthracite

T - Cor-ten

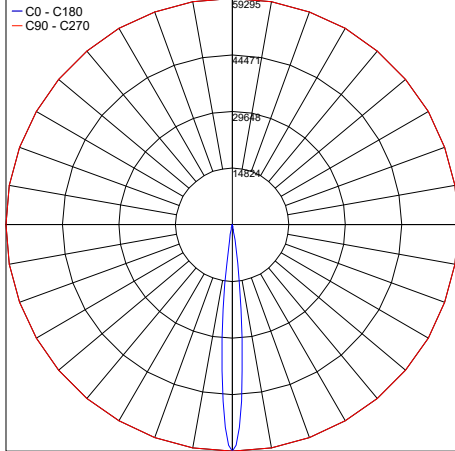
Job Name/Date:

Fixture Type Designation:

## PHOTOMETRIC DATA

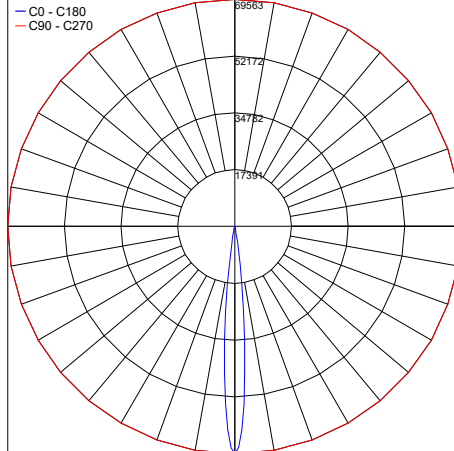
Note: All Photometry is 3000K

Maximum Candela = 59295.0



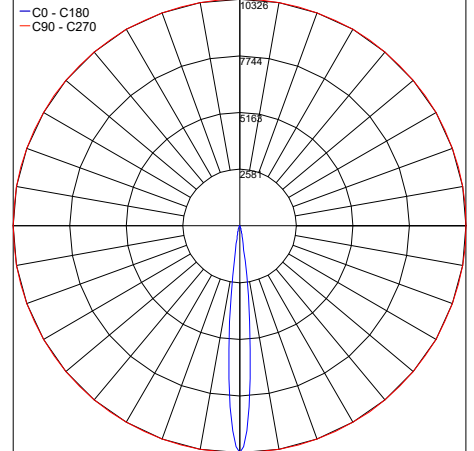
PHOTOMETRIC FILENAME : OLIVER\_2.3\_S\_10\_3000K\_55W.IES

Maximum Candela = 69563.3



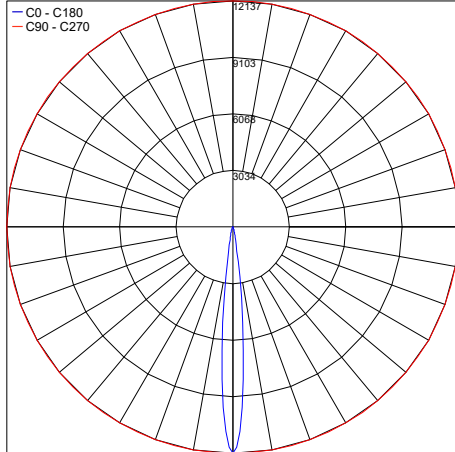
PHOTOMETRIC FILENAME : OLIVER\_2.3\_S\_10\_RGBW\_55W.IES

Maximum Candela = 10325.7



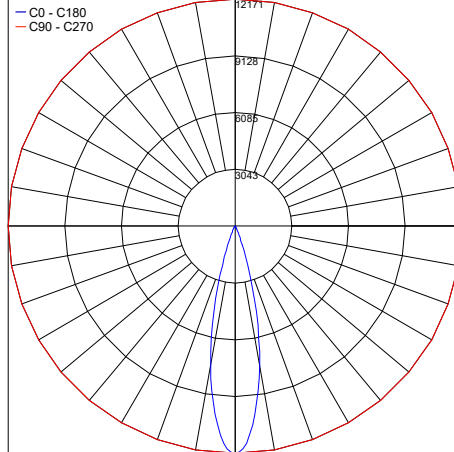
PHOTOMETRIC FILENAME : OLIVER\_2.3\_X\_11X66\_3000K\_55W.IES

Maximum Candela = 12136.9



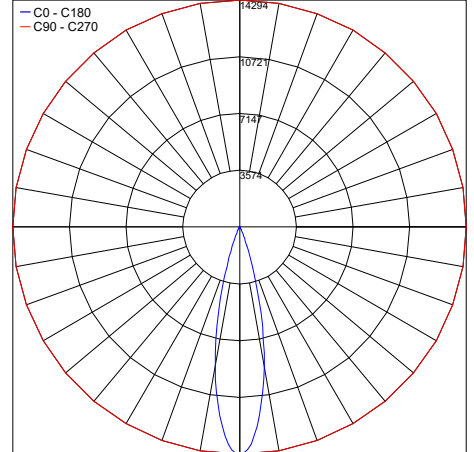
PHOTOMETRIC FILENAME : OLIVER\_2.3\_X\_11X66\_RGBW\_55W.IES

Maximum Candela = 12171.0



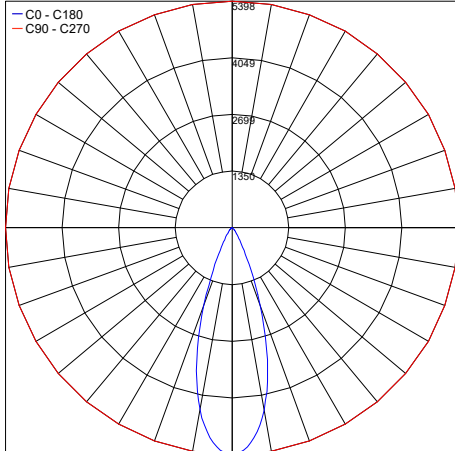
PHOTOMETRIC FILENAME : OLIVER\_2.3\_M\_24\_3000K\_55W.IES

Maximum Candela = 14294.2



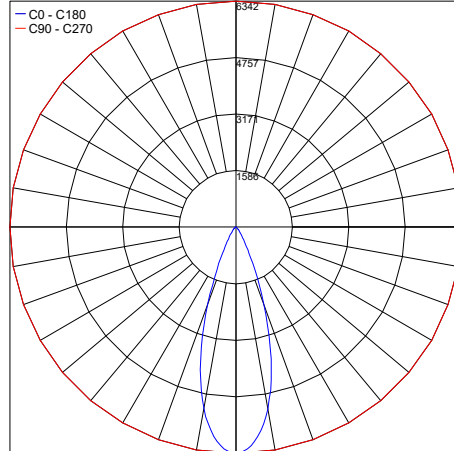
PHOTOMETRIC FILENAME : OLIVER\_2.3\_M\_24\_RGBW\_55W.IES

Maximum Candela = 5398.1



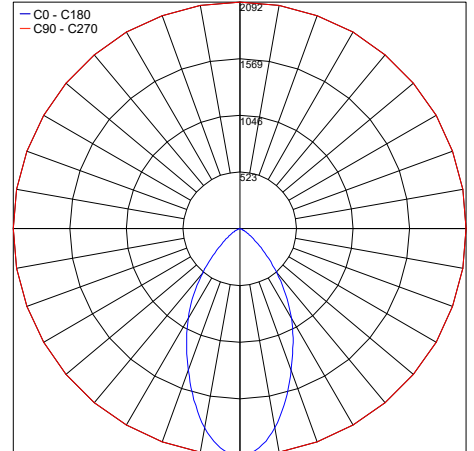
PHOTOMETRIC FILENAME : OLIVER\_2.3\_L\_34\_3000K\_55W.IES

Maximum Candela = 6342.3



PHOTOMETRIC FILENAME : OLIVER\_2.3\_L\_34\_RGBW\_55W.IES

Maximum Candela = 2092.3



PHOTOMETRIC FILENAME : OLIVER\_2.3\_K\_55\_3000K\_55W.IES

Job Name/Date:

Fixture Type Designation: