

# OLIVER 3.0

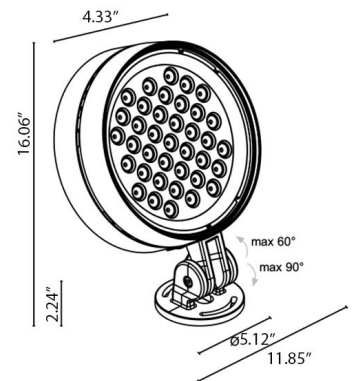
Oliver is a family of outdoor floodlights with high performance and a pared-down design for lighting large facades, public spaces and areas. They are available in 3 sizes (Ø7.1", Ø9.1", Ø11.8") with a wide variety of white-light optics, including a very narrow 5° version, as well as an RGBW version which includes a narrow 10° beam. Oliver 3.0 is the Ø11.9" static white version.



## TECHNICAL DATA

<b>Wattage</b>	95W (5° only), 110W
<b>Power Supply</b>	Integral 120-277VAC
<b>Dimming</b>	0-10V Dimming or DALI 2
<b>Construction</b>	Body: Anticorodal Aluminum Lens: 0.31"-Thick Tempered Extra-clear Glass
<b>CCT</b>	2200K, 2700K, 3000K, 4000K
<b>CRI</b>	80
<b>BUG Rating</b>	B4-U0-G0 (3000K - All Optics)
<b>Delivered Lumens</b>	7396 lm (3000K, 5°, 95W) 10139 lm (3000K, 10°, 110W)
<b>Efficacy</b>	77.9 lm/W (3000K, 5°, 95W) 92.2 lm/W (3000K, 10°, 110W)
<b>Optics</b>	7 Standard (see below)
<b>Finishes</b>	Anthracite, Corten, Gray, White
<b>Fixture Dimensions</b>	Ø11.85" x 18.90" x 5.39"
<b>Fixture Weight</b>	17.64 lbs
<b>LED Source</b>	23 Power LEDs
<b>Lumen Maintenance</b>	L80, B10 >60,000hrs (Ta 25°C)
<b>Color Consistency</b>	2-Step MacAdam
<b>Operating Temp.</b>	-4°F to +122°F
<b>IP Rating</b>	IP66
<b>Impact Rating</b>	IK09

Fixture Dimensions



## ORDERING INFORMATION

Example: LV30110100N0TH-1. Accessories ordered separately.

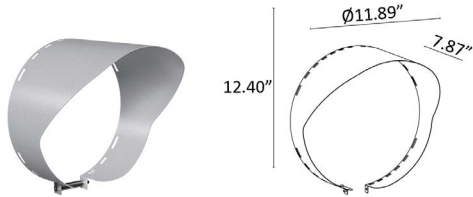
LV301							- 1UL
Model No.	Wattage	Power/Dim	Optical Accessory	CCT	Optics	Finish	Cable Length
LV301	0 - 95W (5° only) 1 - 110W  NOTE: 95W ONLY available in 5°. 110W NOT available in 5°	01 - 0-10V 0D - DALI-2	00 - No accessory 01 - Honeycomb Louver  NOTE: Honeycomb Louver can be built-in NOT available on 5° or 10°x65° adjustable versions.	N - 2200K F - 2700K 5 - 3000K 9 - 4000K	0T - 5° (95W only) 0S - 10° 0M - 19° 0L - 30° 0K - 54° 0W - 12° x 49° 0X - 10°x65° adj.	H - Anthracite T - Corten F - Gray E - White	1UL - 16.40'

Job Name/Date:

Fixture Type Designation:

## ACCESSORIES

### Anti-Glare



### WBA21\_

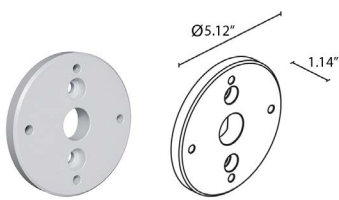
#### Asymmetrical Snoot

Choose one of the below finishes:

- E - White
- F - Gray
- H - Anthracite
- T - Cor-ten

## ACCESSORIES

### Installation

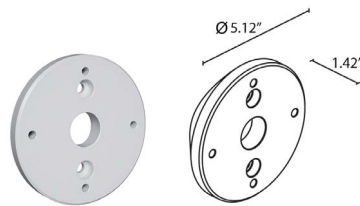


### WPA14\_

Flange for 3.0" Pole Installation - **Ø2.36"**

Choose one of the below finishes:

- E - White
- F - Gray
- H - Anthracite
- T - Cor-ten

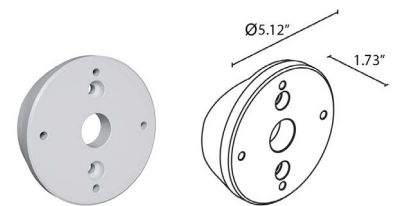


### WPA15\_

Flange for 4.0" Pole Installation - **Ø3.50"**

Choose one of the below finishes:

- E - White
- F - Gray
- H - Anthracite
- T - Cor-ten



### WPA16\_

Flange for 5.0" Pole Installation - **Ø4.72"**

Choose one of the below finishes:

- E - White
- F - Gray
- H - Anthracite
- T - Cor-ten

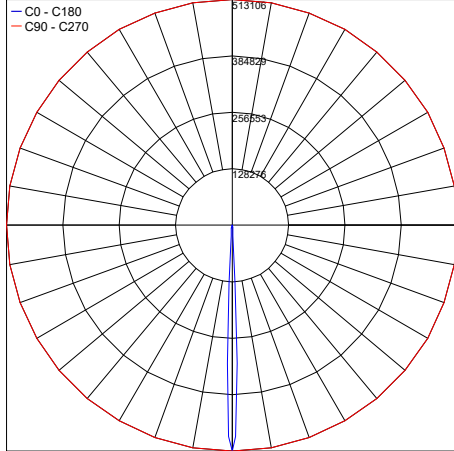
Job Name/Date:

Fixture Type Designation:

## PHOTOMETRIC DATA

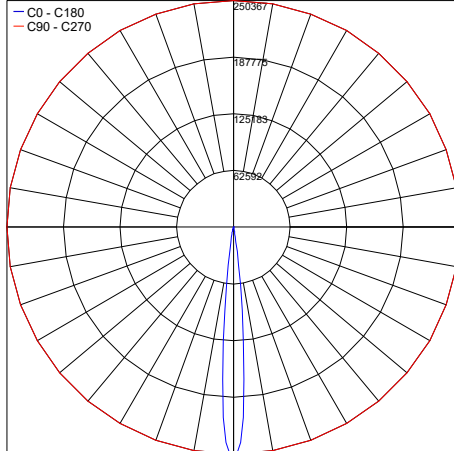
Note: All Photometry is 3000K

Maximum Candela = 513105.5



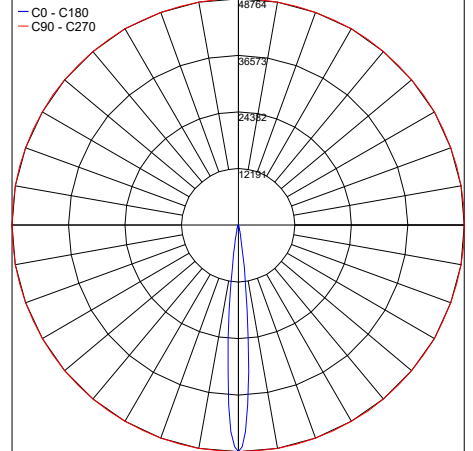
PHOTOMETRIC FILENAME : OLIVER\_3.0\_V\_5\_3000K\_95W.IES

Maximum Candela = 250366.8



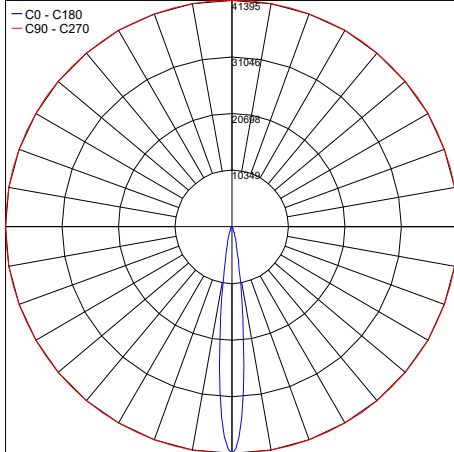
PHOTOMETRIC FILENAME : OLIVER\_3.0\_S\_10\_3000K\_110W.IES

Maximum Candela = 48764



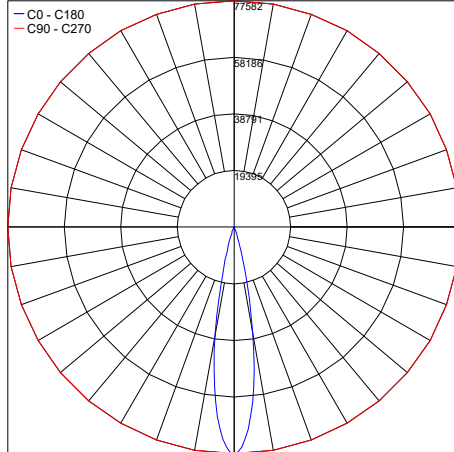
PHOTOMETRIC FILENAME : OLIVER\_3.0\_X\_10X65\_3000K\_110W.IES

Maximum Candela = 41395.3



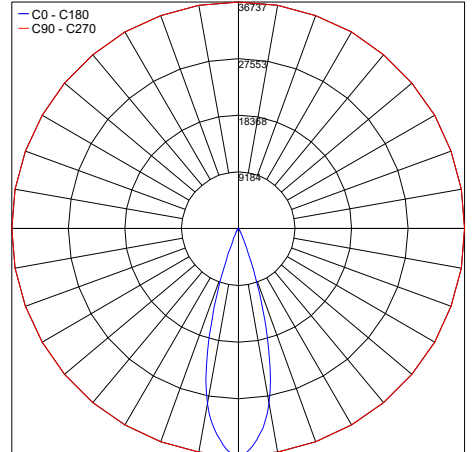
PHOTOMETRIC FILENAME : OLIVER\_3.0\_W\_12X49\_3000K\_110W.IES

Maximum Candela = 77581.9



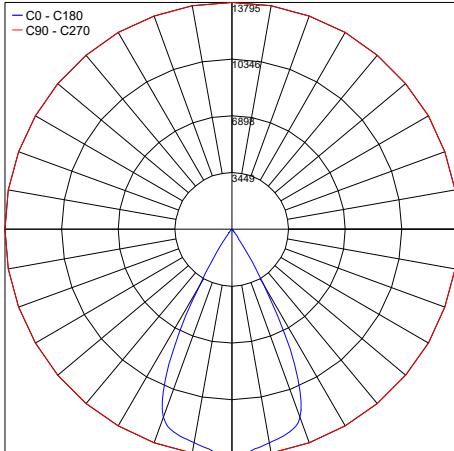
PHOTOMETRIC FILENAME : OLIVER\_3.0\_M\_19\_3000K\_110W.IES

Maximum Candela = 36736.9



PHOTOMETRIC FILENAME : OLIVER\_3.0\_L\_30\_3000K\_110W.IES

Maximum Candela = 13795.3



PHOTOMETRIC FILENAME : OLIVER\_3.0\_K\_54\_3000K\_110W.IES

Job Name/Date:

Fixture Type Designation: