

# OLIVER 3.3

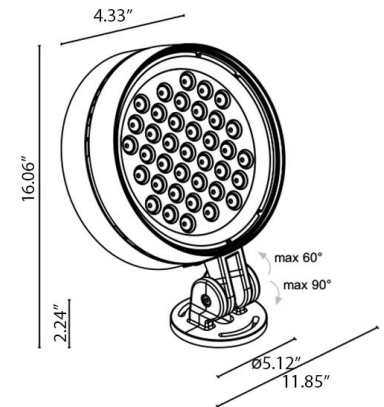
Oliver is a family of outdoor floodlights with high performance and a pared-down design for lighting large facades, public spaces and areas. They are available in 3 sizes (Ø7.1", Ø9.1", Ø11.8") with a wide variety of white-light optics, including a very narrow 5° version, as well as an RGBW version which includes a narrow 10° beam. Oliver 3.3 is the Ø11.9" RGBW version.



## TECHNICAL DATA

<b>Wattage</b>	93W
<b>Power Supply</b>	Integral 120-277VAC
<b>Dimming</b>	DMX
<b>Construction</b>	Body: Anticorodal Aluminum Lens: 0.31"-Thick Tempered Extra-clear Glass
<b>CCT</b>	RGBW
<b>BUG Rating</b>	B3-U0-G0 (3000K, RGBW - 34°, 24°, 10° B3-U1-G0 (3000K - 11°x66°, RGBW - 55°, 11°x66° B2-U1-G0 (3000K - 55°)
<b>Delivered Lumens</b>	8575 lm: (R) 1384 lm, (G) 2853 lm, (B) 755 lm, (W) 3583 lm (3000K, 10°)
<b>Efficacy</b>	92.2 lm/W: (R) 14.9 lm/W, (G) 30.7 lm/W, (B) 8.1 lm/W, (W) 38.5 lm/W (3000K, 10°)
<b>Optics</b>	5 Standard (see below)
<b>Finishes</b>	Anthracite, Corten, Gray, White
<b>Fixture Dimensions</b>	Ø11.85" x 16.06" x 5.39"
<b>Fixture Weight</b>	19.40 lbs
<b>LED Source</b>	16 High Intensity Multicolor LEDs
<b>Lumen Maintenance</b>	L80, B10 >60,000hrs (Ta 25°C)
<b>Operating Temp.</b>	-4°F to +113°F
<b>IP Rating</b>	IP66
<b>Impact Rating</b>	IK09

Fixture Dimensions



## ORDERING INFORMATION

Example: LV3310N40070SH-1. Accessories ordered separately.

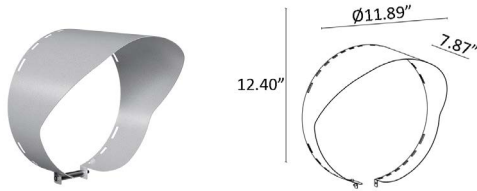
LV331	0N4		7			-	1UL
Model No.		Optical Accessory	CCT	Optics	Finish		Cable Length
LV331	0N4	00 - No accessory 01 - Honeycomb Louver <i>NOTE: Honeycomb Louver NOT available for 11°x66° adjustable version.</i>	7 - RGBW	0S - 10° 0M - 24° 0L - 34° 0K - 55° 0X - 11°x66° adjustable <i>NOTE: Honeycomb Louver NOT available for 11°x66° adjustable</i>	H - Anthracite T - Corten F - Gray E - White		1UL - 16.40'

Job Name/Date:

Fixture Type Designation:

## ACCESSORIES

### Anti-Glare



#### WBA21\_

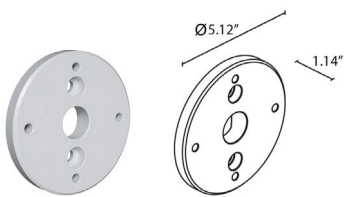
Asymmetrical Snoot

Choose one of the below finishes:

- E - White
- F - Gray
- H - Anthracite
- T - Cor-ten

## ACCESSORIES

### Installation

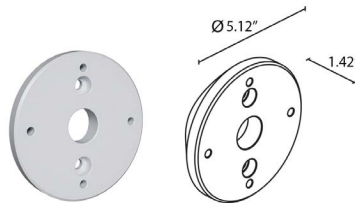


#### WPA14\_

Flange for 3.0" Pole Installation - **Ø2.36"**

Choose one of the below finishes:

- E - White
- F - Gray
- H - Anthracite
- T - Cor-ten

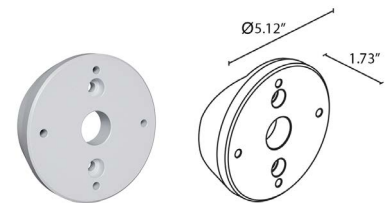


#### WPA15\_

Flange for 4.0" Pole Installation - **Ø3.50"**

Choose one of the below finishes:

- E - White
- F - Gray
- H - Anthracite
- T - Cor-ten



#### WPA16\_

Flange for 5.0" Pole Installation - **Ø4.72"**

Choose one of the below finishes:

- E - White
- F - Gray
- H - Anthracite
- T - Cor-ten

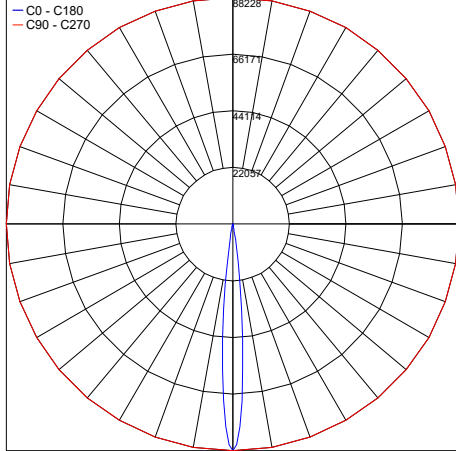
Job Name/Date:

Fixture Type Designation:

## PHOTOMETRIC DATA

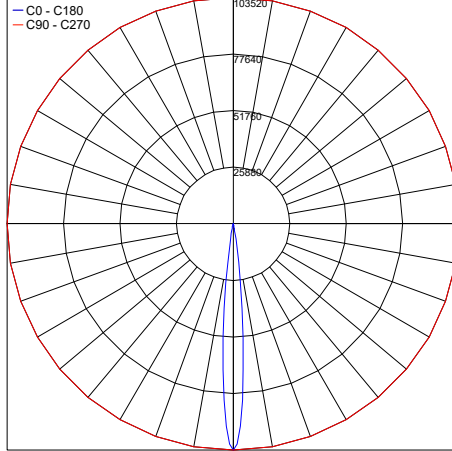
Note: All Photometry is 3000K

Maximum Candela = 88228.4



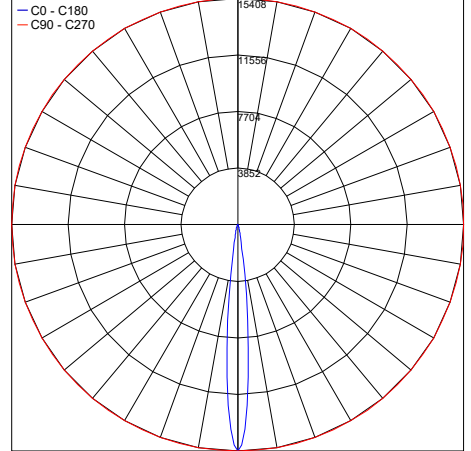
PHOTOMETRIC FILENAME : OLIVER\_3.3\_S\_10\_3000K\_93W.IES

Maximum Candela = 103520



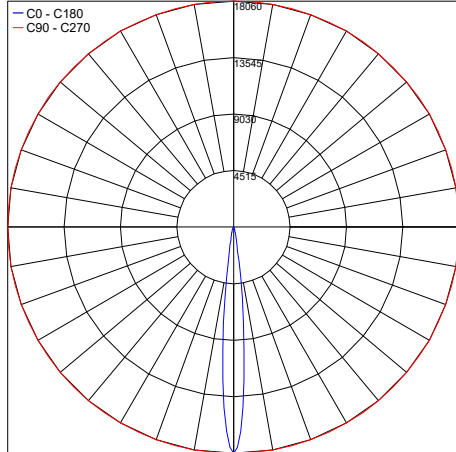
PHOTOMETRIC FILENAME : OLIVER\_3.3\_S\_10\_RGBW\_93W.IES

Maximum Candela = 15407.7



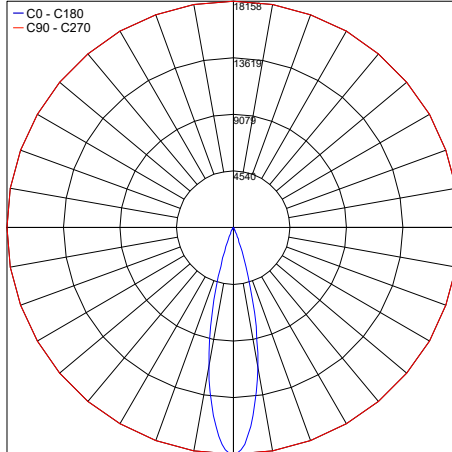
PHOTOMETRIC FILENAME : OLIVER\_3.3\_X\_11X66\_3000K\_93W.IES

Maximum Candela = 18060.4



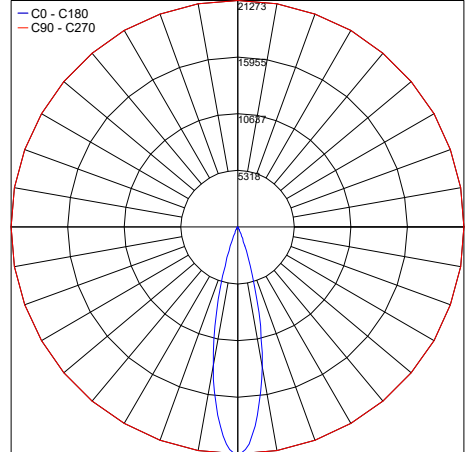
PHOTOMETRIC FILENAME : OLIVER\_3.3\_X\_11X66\_RGBW\_93W.IES

Maximum Candela = 18158.3



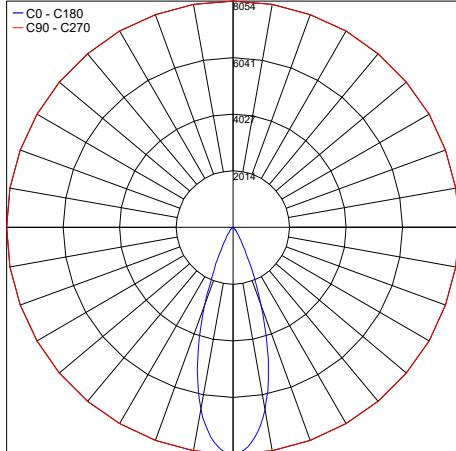
PHOTOMETRIC FILENAME : OLIVER\_3.3\_M\_24\_3000K\_93W.IES

Maximum Candela = 21273.4



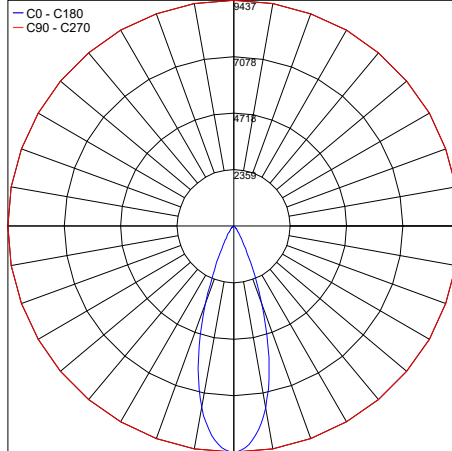
PHOTOMETRIC FILENAME : OLIVER\_3.3\_M\_24\_RGBW\_93W.IES

Maximum Candela = 8054.3



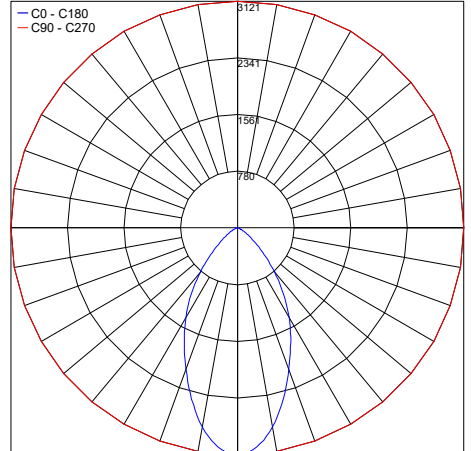
PHOTOMETRIC FILENAME : OLIVER\_3.3\_L\_34\_3000K\_93W.IES

Maximum Candela = 9436.9



PHOTOMETRIC FILENAME : OLIVER\_3.3\_L\_34\_RGBW\_93W.IES

Maximum Candela = 3121.4



PHOTOMETRIC FILENAME : OLIVER\_3.3\_K\_55\_3000K\_93W.IES

Job Name/Date:

Fixture Type Designation: