



designplan®

LED spotlight C2-STT-D with triple lens

part number: A400463

description:

LED spotlight for track Multisystem EVO,
360° rotatable, ~90° swivelling

housing color:

aluminum anodised matte in black
or powder-coated in white RAL 9016

optics:

18°, 25°, 32°, 67°
incl. light diffusion foil

light color (+/- 100K):

~2700K, ~3000K, ~350K, ~4000K, ~5700K

3 high power LED, high CRI DIN EN 55015:2013,
lifetime 50,000 hours | basis of lifetime L80B10

protection class:

IP20

luminous flux (~3000K | 25° | 1000mA):

~630 lm at ~9W (70 lm/W)

power input: 48VDC (constant voltage)

allowed power supplies:

power supply of ELG series by MeanWell
with constant voltage 48VDC
(other LED driver on request)

dimming:

analog 0-10V, DALI or Casambi

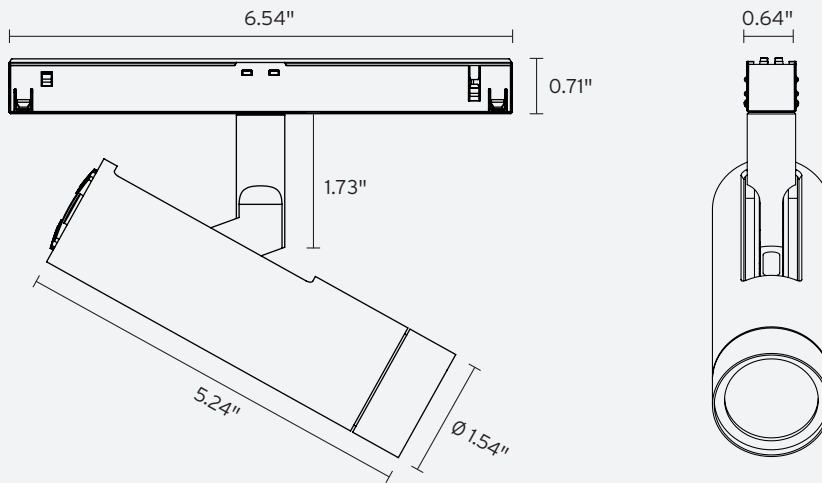
accessories:

suitable for track type
Multisystem EVO A.A.G. Stucchi 48V

optional accessories:

honeycomb grid, anti-glare tube, inclined tube,
snoot, light diffusion foil, barn doors

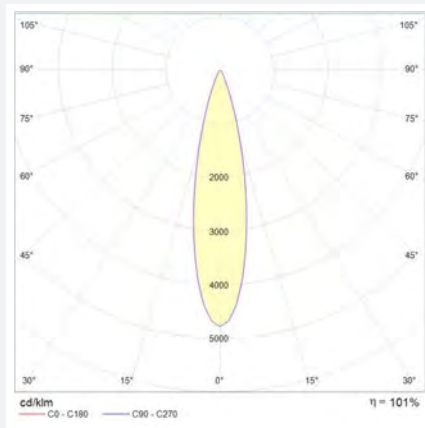
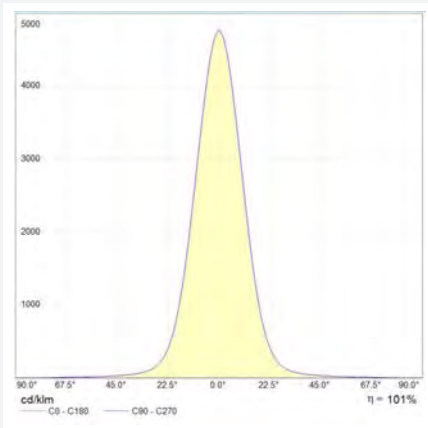
dimensions



specification in inches

photometry

for light color ~3000K | standard lens 25° | 1000mA | CRI typ. 97, R9 > 90, R12 > 90 | color variation ≤ 3 SDCM



technical changes reserved | April 2024