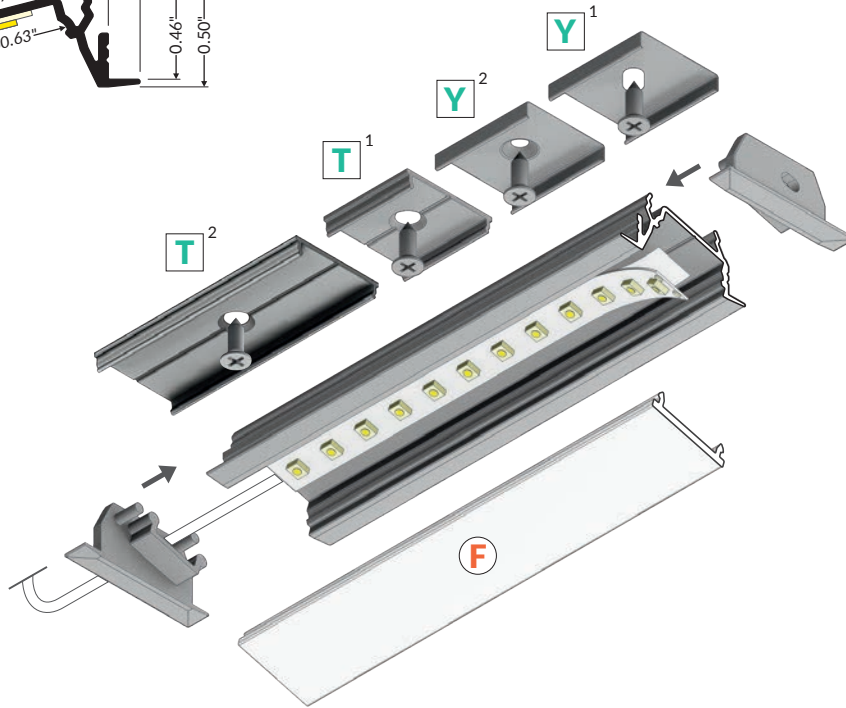
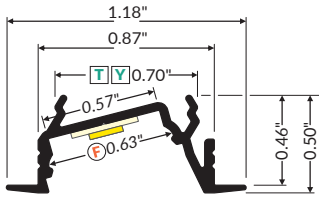


# DIAGONAL14 F/TY



- reduced glare effect
- best for furniture applications





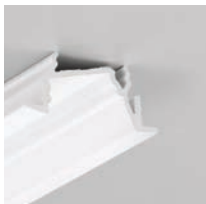
**Y<sup>1</sup>** → 225  
mounting plate Y

**Y<sup>2</sup>** → 225  
mounting plate Y cone

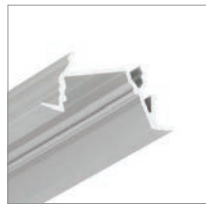
**T<sup>1</sup>** → 221  
mounting plate T

**T<sup>2</sup>** → 221  
connector T 180 deg

**F** → 216  
diffuser F click



white painted



anodized



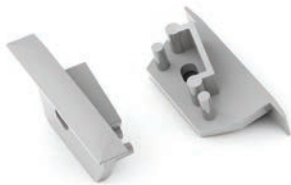
black anodized



raw aluminum

39.37"	H5010001	H5010020	H5010021	H5010000
78.74"	H5020001	H5020020	H5020021	H5020000
118.11"	H5090001	H5090020	H5090021	H5090000
159.45"	H5120001	H5120020	H5120021	H5120000

end cap DIAGONAL14 with hole



white      silver  
H5999901   H5999940

black      grey  
H5999902   H5999922



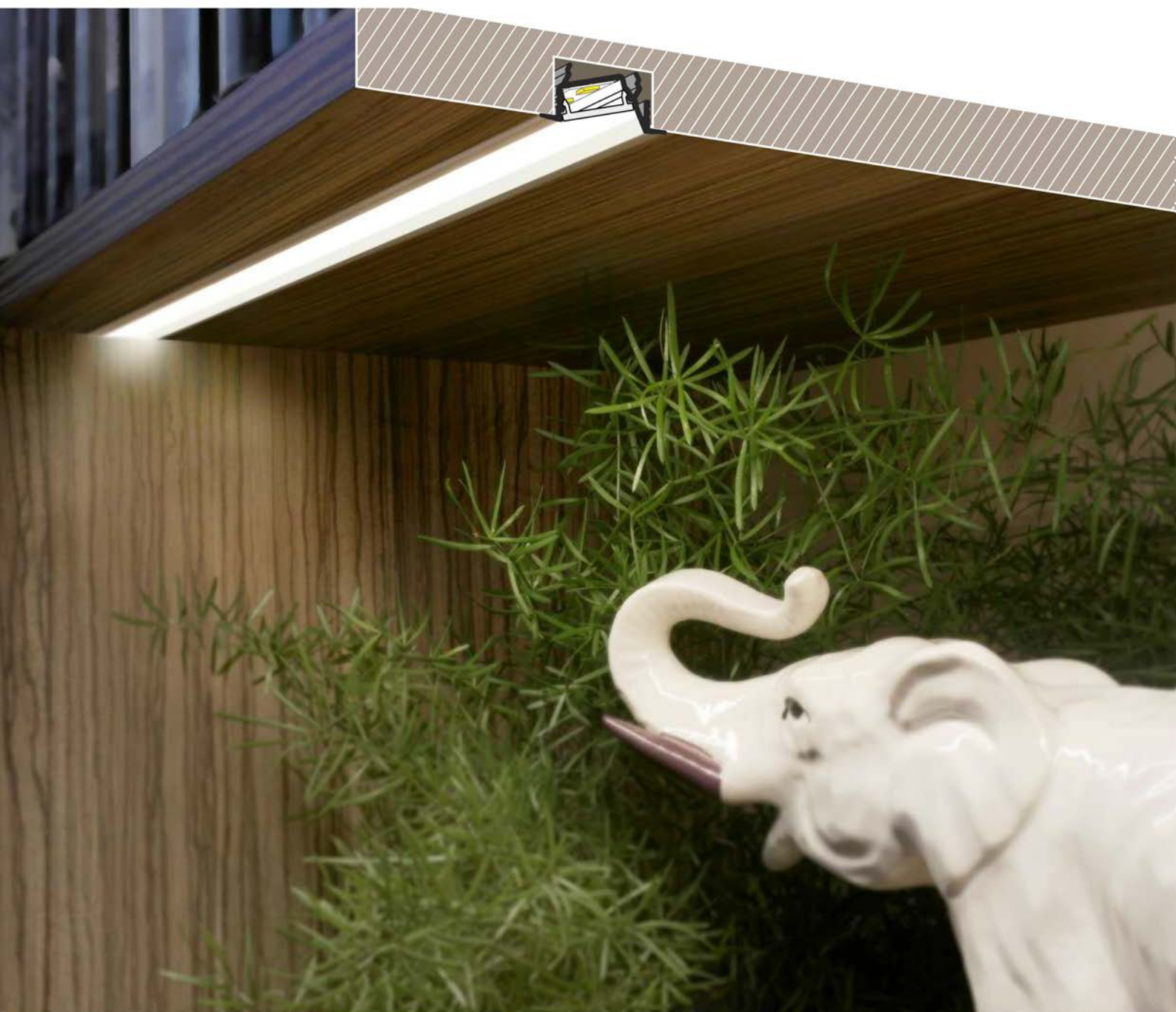


# DIAGONAL14 F/TY

NEW

## RECESSED ANGLED PROFILE

- reduced glare effect
- best for furniture applications
- maximum LED strip width 0.55"



## SIMILAR IN THE OFFER

GROOVE14  
EF/TY

GROOVE10  
BC/UX

BEGTIN12  
J/S

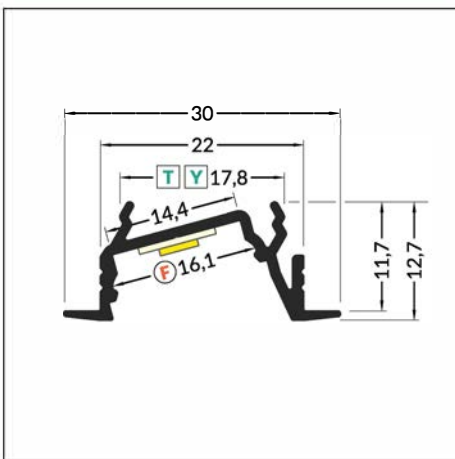
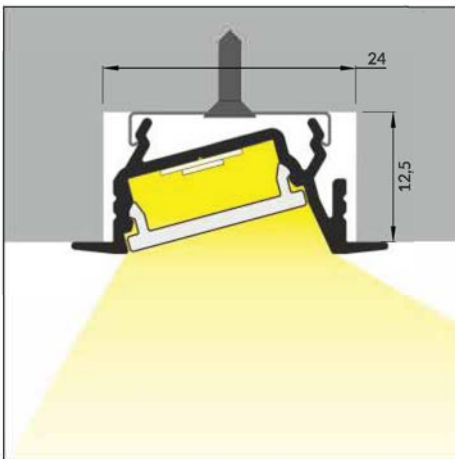
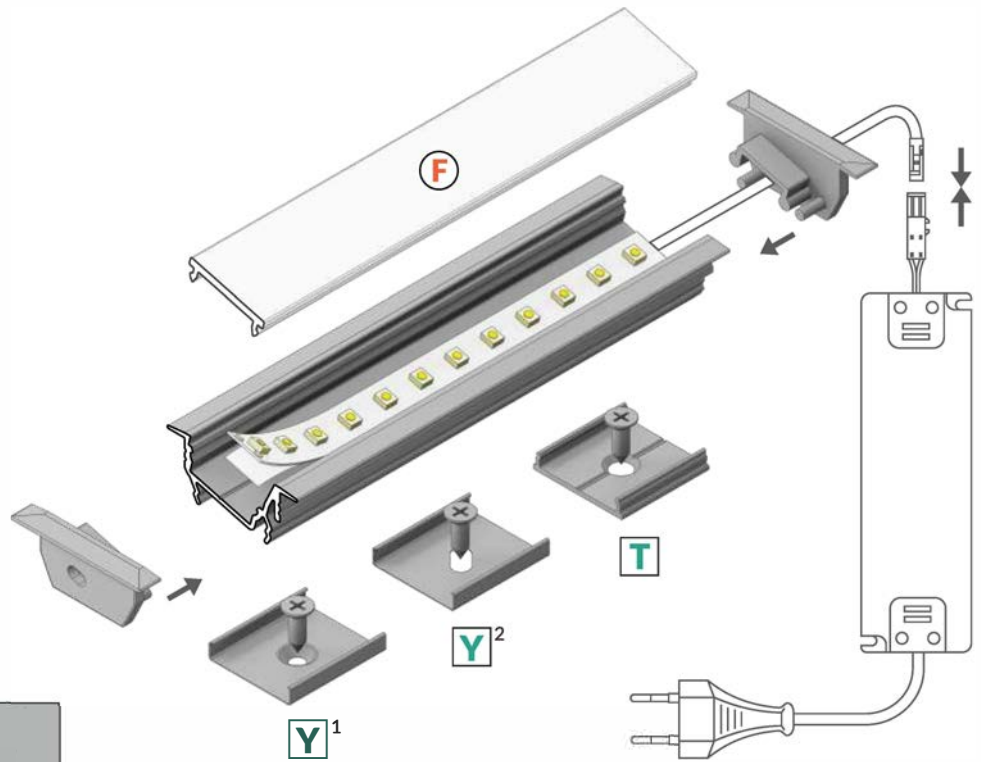
SMART-IN16  
BC3/U4

designplan®

TOPMET®



- F** click cover
- Y<sup>1</sup>** Y flexible mounting plate
- Y<sup>2</sup>** cone Y flexible mounting plate
- T** T mounting plate



 max 0.55"

 recessed



INDEX = 1 piece length 78.74"  
package > check the pricelist

white painted

H5020001

anodized

H5020020

black anodized

H5020021

raw aluminium

H5020000

Available lengths: 39.37", 78.74", 118.11", 157.48".  
The standard profile length tolerance is +0.79".

# ACCESSORIES

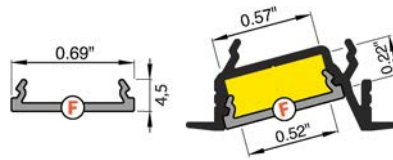
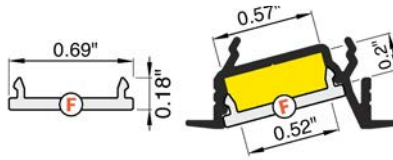


## COVERS

**F** click cover  
 colors: transparent, opal, black  
 material: PMMA



Note! Dimensions of the space to install the LED source



length 78.74"  
 package >



**F** transparent  
 index = 1 pc.  
**A2060016**



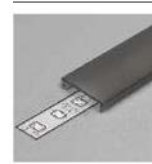
**F** opal  
 index = 1 pc.  
**A2060038**



reel, length 0.79"  
 package >



**F** opal  
 index = 1 pc.  
**A2210038S**



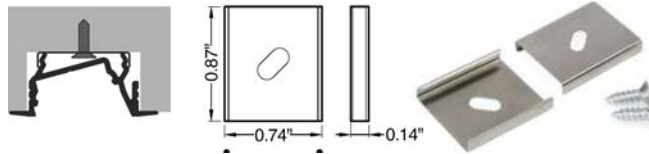
length 78.74"  
 package >

**F** black  
 index = 1 pc.  
**A2060041**

The standard cover length tolerance is +0.79"

## MOUNTINGS

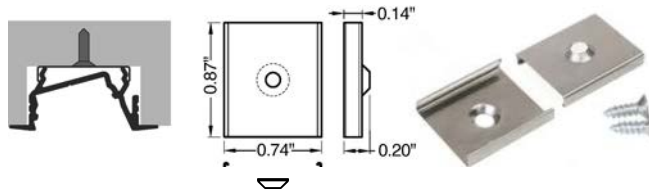
**Y** flexible mounting plate  
 color: inox  
 material: stainless steel



INDEX= 10 sets= 20 pcs  
 package >

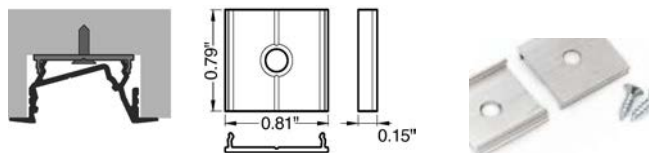
inox  
**A2090019**

cone **Y** flexible mounting plate  
 color: inox  
 material: stainless steel



inox  
**A2130019**

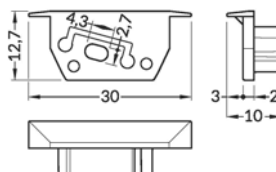
**T** mounting plate  
 color: raw aluminum  
 material: aluminum



raw aluminium  
**C6960000**

## ENDINGS

**DIAGONAL14** ending with silver,  
 hole colors: white, with silver,  
 material: ABS



INDEX = 10 sets = 20 pcs  
 package > check the pricelist

white  
**H5999901**  
 silver  
**H5999940**  
 black  
**H5999902**  
 grey  
**H5999922**

