



INSTRUCTIONS PERTAINING TO RISK OF FIRE OR INJURY TO PERSONS. READ ALL INSTRUCTIONS. IMPORTANT SAFETY INSTRUCTIONS. SAVE THESE INSTRUCTIONS.

DANGER - RISK OF SHOCK - DISCONNECT POWER BEFORE INSTALLATION! Please read all instructions before installation.

- Keep these instructions for future reference.
- Must be installed by a qualified electrician in accordance with national and local standards. Designplan is not responsible for fixtures installed without regard to these standards.
- Unauthorized alterations or tampering of product voids warranty.
- The main power connection must be in accordance with local electrical codes.
- Suitable for OUTDOOR applications.



 **IP66 IK10**

ATTENTION: For In-Grade - It is the contractor's responsibility to seal the conduit with "Great Stuff" aerosol seal that prevents water and moisture penetration for ultimate protection. Contractor **MUST** use gel-filled wire nuts.

Maintenance

Scheduled maintenance must be carried out once a year on all lighting devices, regardless of appliance class and type of use. It must include the following operations:

- Periodically clean fixtures to remove dirt from gratings and screw heads.
- Check tightness of screws on various parts of the device.
- Check that all cable glands and cables are intact and tight. Check that the glass or plastic lens is intact, and replace it if broken or damaged.
- The internal components such as the ballast, driver, washers and screws must not show clear signs of oxidation or rust. Clear traces of rust and oxidation will indicate the presence of water inside the device.
- In the case of damage, the components must be replaced by original components or spare parts.

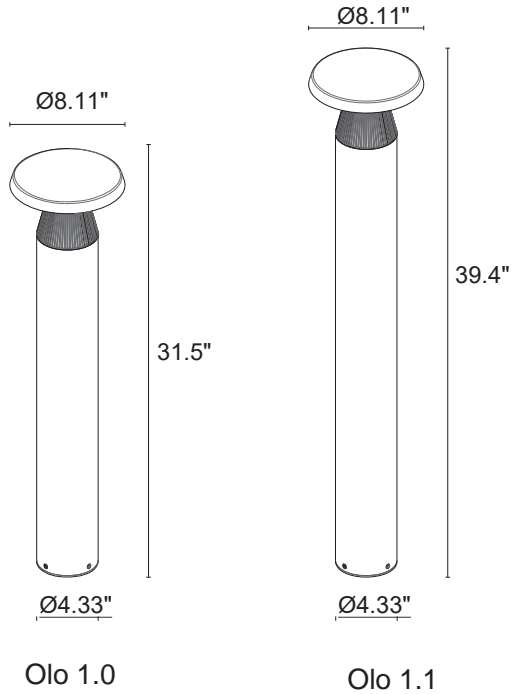
OLO 1.0, 1.1 BOLLARD

14W/19W, INTEGRAL 120-277VDC

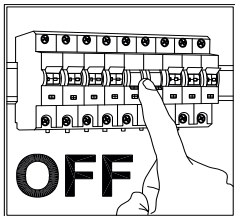
designplan®

installation instructions

FIXTURE DIMENSION:



FIXTURE INSTALLATION:



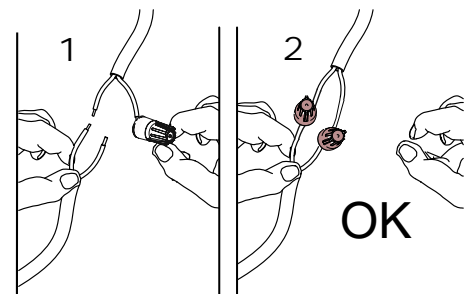
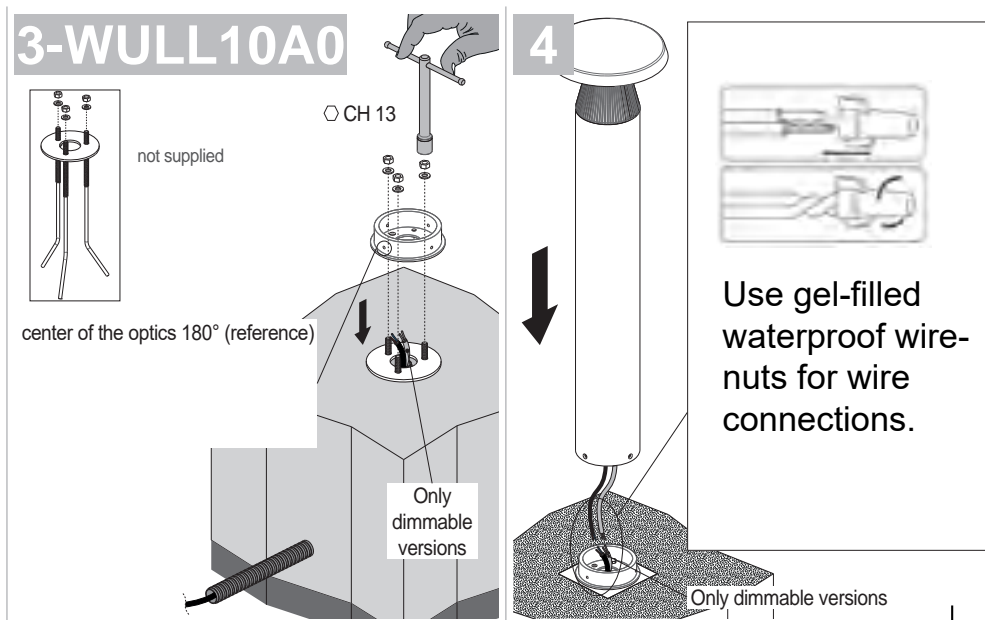
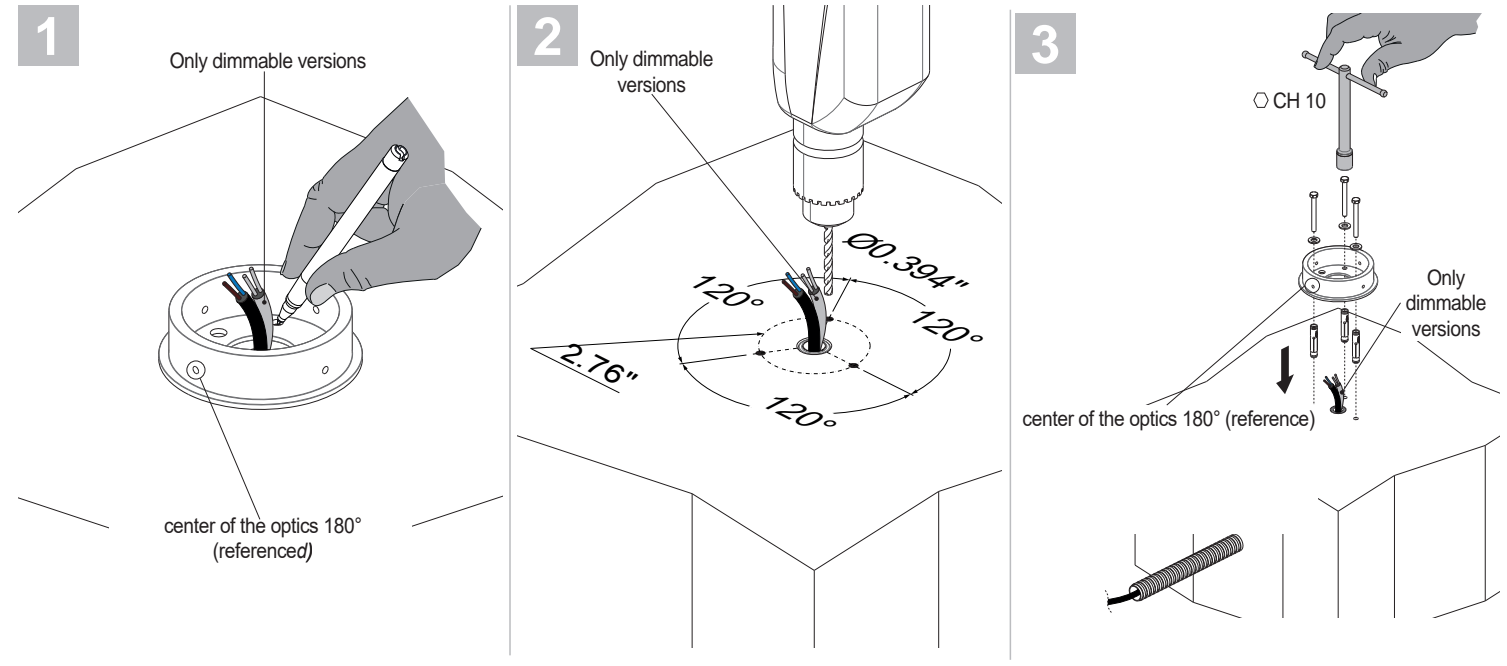
- It is the contractor's responsibility to caulk around all the edges between the fixture and the mounting surface, to satisfy wet label requirements.
- It is the contractor's responsibility to install Remote Driver in a suitable electrical enclosure.

OLO 1.0, 1.1 BOLLARD

14W/19W, INTEGRAL 120 -277VDC

designplan®

installation instructions

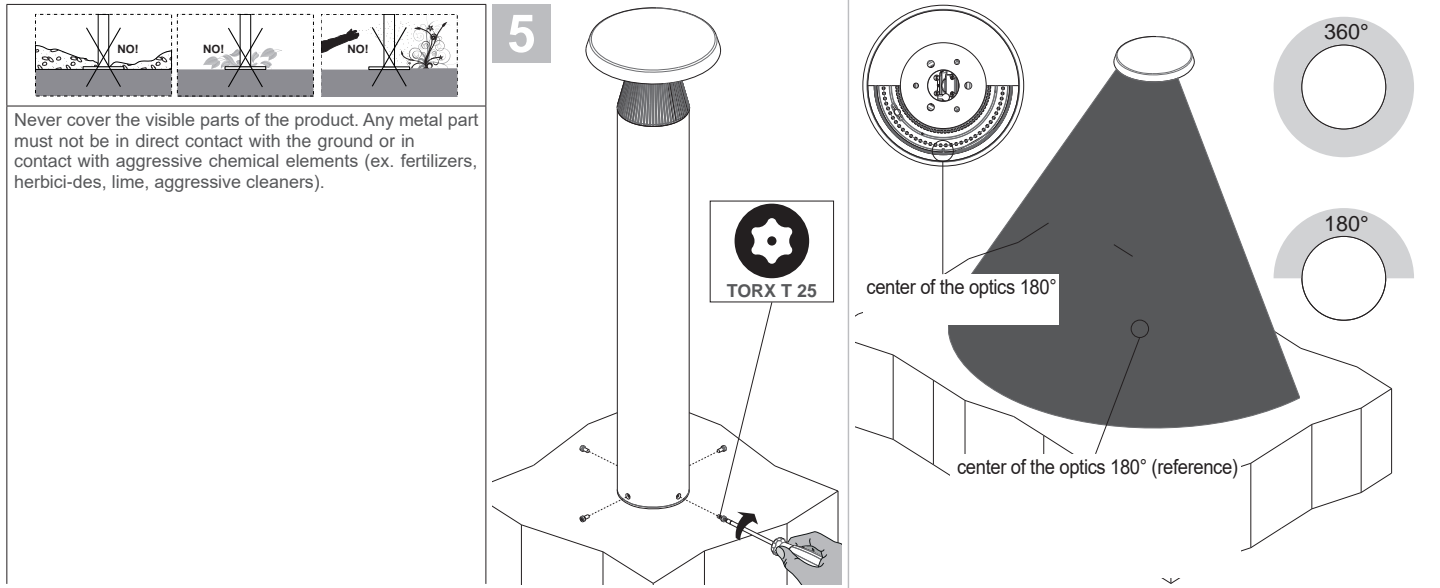


OLO 1.0, 1.1 BOLLARD

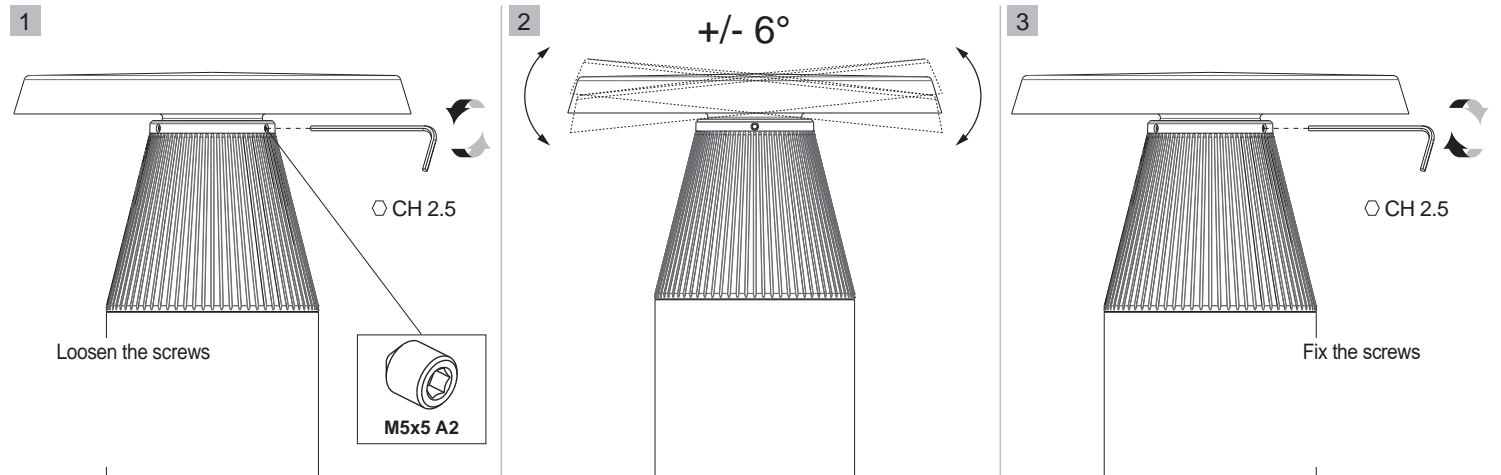
14W/19W, INTEGRAL 120-277VDC

designplan®

installation instructions



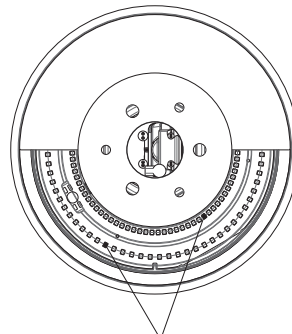
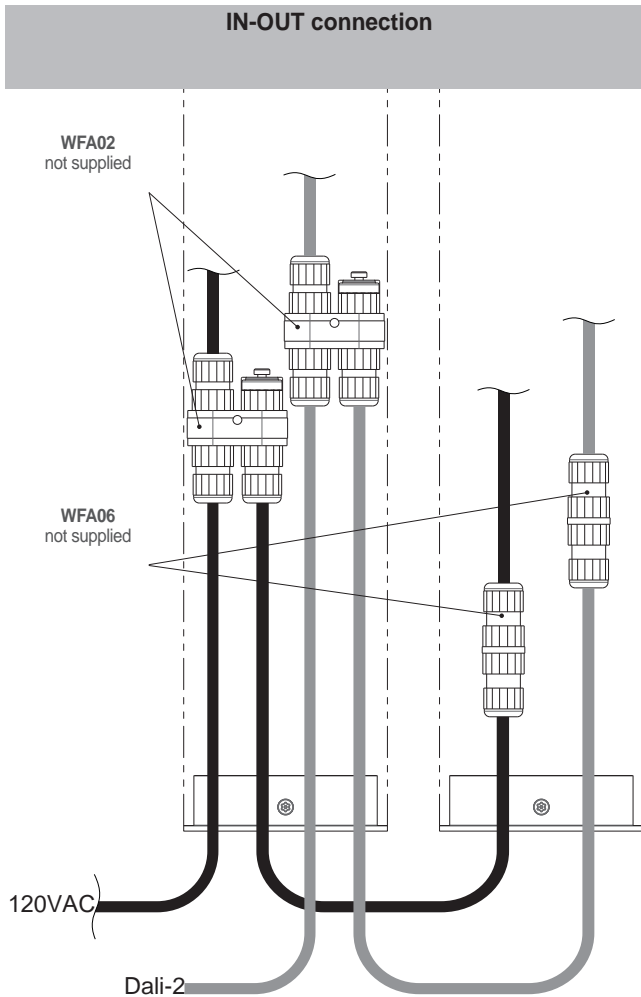
Head tilt adjustment



OLO 1.0, 1.1 BOLLARD

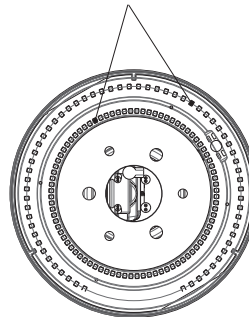
14W/19W, INTEGRAL 120-277VDC

installation instructions



DALI BROADCAST (Ext + Int)
1 address for ignition

DALI MASTER (DT6)
2 addresses for 2 independent starts



DALI BROADCAST (Ext + Int)

FULL Optic
(Ext + Int)



DALI MASTER (DT6)

Default
2 addresses
(External 0%)
(Internal 100%)

LONG Optic (Internal)



SHORT Optic (External)



The allocation of the various addresses is random, not sequential.