

PHIL.v2 C10/Q9



max 0.91"



surface



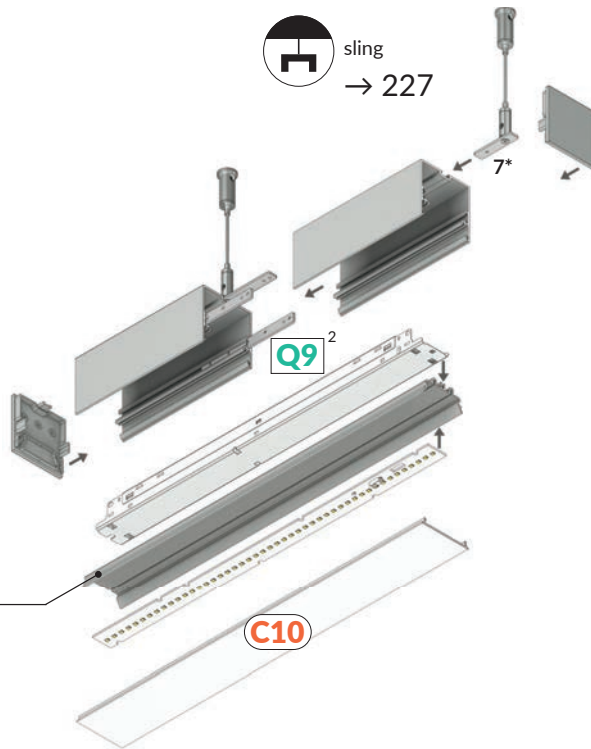
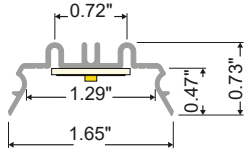
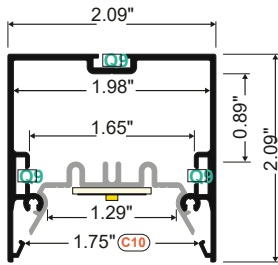
suspended



lighting

- LED profile for creating luminaires with $UGR \leq 19$ with pro and narrow diffusers
- easy to install and service
- positioning by means of sliding slings
- stable connections thanks to the connectors at 3 points of the cross-section
- 5 diffusers to choose from





complementary profile PHIL.v2

7* → 221
holder Q9 for sling

Q9¹ → 221
connector Q9 90 deg bent

Q9² → 221
connector Q9 180 deg

Q9⁵ → 221
connector Q9 90 deg

C10¹ → 215
diffuser C10 click opal

C10² → 216
diffuser C10 click narrow

C10³ → 216
diffuser C10 click wide

C10⁵ → 216
diffuser C10 click pro

C10⁶ → 216
diffuser C10 click basic

white painted	anodized	black anodized	raw aluminium
39.37"	-	-	-
78.74"	P2000201	P2000221	P2000200
118.11"	-	-	-
159.45"	P2000401	P2000421	P2000400

complementary profile PHIL.v2



	anodized
39.37"	-
78.74"	P2000620
118.11"	-
159.45"	P2000820

C10⁴
cover C10

white painted	anodized	black painted	raw aluminium
39.37"	63550001	63550002	63550000
78.74"	63560001	63560002	63560000
118.11"	63740001	63740002	63740000
159.45"	63750001	63750002	63750000

end cap PHIL.v2



white silver
P2999901 P2999940

black grey
P2999902 P2999922

PHIL.v2 C10/Q9

CONNECTION POSSIBILITY



connector Q9 90 deg bent



connector Q9 180 deg



connector Q9 90 deg

