

SMOOTH12 BC/Q9



max 0.47"



plaster-in



architectural

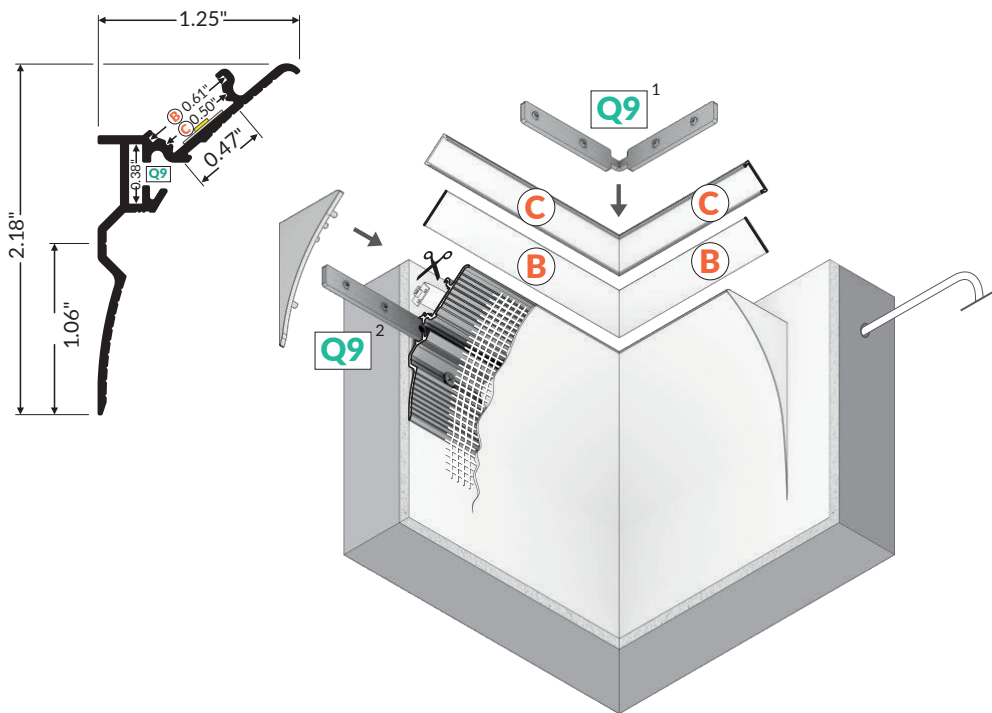
- installation to the wall without a drywall system
- invisible profile, atmospheric light
- accentuating of the room outline



TOPMET®
since 1989

designplan.com

designplan® 



Q9¹ → 220
connector Q9 90 deg bent

Q9² → 220
connector Q9 180 deg

Q9³ → 220
connector Q9 135 deg

Q9⁴ → 220
connector Q9 120 deg

Q9⁵ → 220
connector Q9 90 deg

Q9⁶ → 220
connector Q9 60 deg

Q9⁷ → 220
connector Q9 45 deg

B → 211
diffuser B slide

C → 211
diffuser C click



raw aluminum

39.37"	H9000100
78.74"	H9000200
118.11"	H9000300
159.45"	H9000400

end cap SMOOTH12



grey
H9999922

