



INSTRUCTIONS PERTAINING TO RISK OF FIRE OR INJURY TO PERSONS. READ ALL INSTRUCTIONS. IMPORTANT SAFETY INSTRUCTIONS. SAVE THESE INSTRUCTIONS.

DANGER - RISK OF SHOCK - DISCONNECT POWER BEFORE INSTALLATION! Please read all instructions before installation.

- Keep these instructions for future reference.
- Must be installed by a qualified electrician in accordance with national and local standards. Designplan is not responsible for fixtures installed without regard to these standards.
- Unauthorized alterations or tampering of product voids warranty.
- The main power connection must be in accordance with local electrical codes.
- Suitable for OUTDOOR applications.



IP67 IK10

Electrical Connections:

- LED lights must be **connected in parallel** respecting polarities.
- **CHOOSE POWER SUPPLY ACCORDINGLY.** Please consider the voltage through which fixtures are fed as well as the max power consumption.
- **Connect power only if all the fixtures are connected.**
- The power supplies **MUST** be installed in aerated rooms, far from heat sources. Overworking or lack of air circulation will not permit natural dissipation.
- Use only Class 2 type electronic power supply.
- Never use switches on secondary circuit.

ATTENTION: Installer **MUST** use gel-filled wire nuts or other type of connectors that provide water tight connections.

Maintenance(if applicable)

Scheduled maintenance must be carried out once a year on all lighting devices, regardless of appliance class and type of use. It must include the following operations:

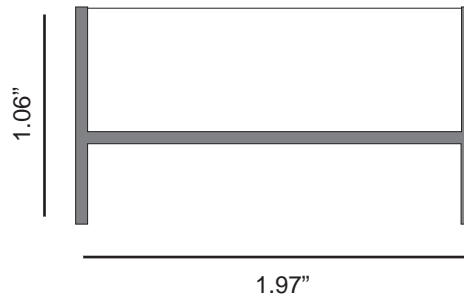
- Periodically clean fixtures to remove dirt from gratings and screw heads.
- Check tightness of screws on various parts of the device.
- Check that all cable glands and cables are intact and tight. Check that the glass or plastic lens is intact, and replace it if broken or damaged.
- The internal components such as the ballast, driver, washers and screws must not show clear signs of oxidation or rust. Clear traces of rust and oxidation will indicate the presence of water inside the device.
- In the case of damage, the components must be replaced by original components or spare parts.

DRIVE LINE L110X LINEAR

22W per 3.3ft (1M) STATIC WHITE, 24W per 3.3ft (1M) TUNABLE WHITE,
36W per 3.3ft (1M) RGBW, Require Remote 24VDC Driver

installation instructions

FIXTURE DIMENSION:



Attention: THE PRODUCT'S WARRANTY IS VALID ONLY IF THE INSTRUCTIONS HAVE BEEN OBSERVED.

SAFETY INSTRUCTIONS

- It is absolutely necessary to isolate the mains supply before beginning any installation, inspection, maintenance or cleaning;
- Every kind of modification of products that has to be installed and used as supplied and in compliance with current regulations is forbidden;
- If malfunctions occur, please directly contact **factory**.
- After removing the packaging, check the integrity of the product;
- The transport and storage of the luminaire must be in the original packaging.
- Mechanical stress of L110X and its components has to be absolutely avoided.
- Read and don't remove the product label.
- Installation and operating of this luminaire are subject to international safety regulations. The manufacturer is not liable for damage caused by improper use. Any unapproved modification could void the manufacturer's warranty;
- Observe correct electrical polarity. Wrong polarity can destroy the modules.
- Installation of LED bar (with power supplies) needs to be made with regards to all applicable electrical and safety standards. Only qualified personnel should be allowed to perform installations.
- To protect the surface from dirt and fingerprints, we recommend the use of protective gloves during installation.
- Pay attention to the allowable ambient conditions under which the luminaire may be operated.
- Do not cover luminaire and control gear to prevent overheating.

MAINTENANCE

- Attention: previously cut off the mains supply and allow system to cool down;
- Clean the appliance regularly with a smooth damp cloth. Use only water and neutral soap.
- Avoiding the use of chemical solvents and/or abrasive cloths.
- Detergents must have a low solid content for easy removal.
- It is important to make sure that the detergents that are used for cleaning must be removed once the washing is finished, either manually or by simple evaporation;
- Check that there are no cleaning products in contact with the luminaires for a long time;
- Do NOT use pressure washers. The pressure of the water jet can damage the surface of the the luminaires.

22W per 3.3ft(or 1M) STATIC WHITE, 24W per 3.3ft(or 1M) TUNABLE WHITE,
36W per 3.3ft(or 1M) RGBW, Require Remote 24VDC Driver

installation instructions

CHEMICAL SUBSTANCES INCOMPATIBLE WITH POLYURETHANE RESIN

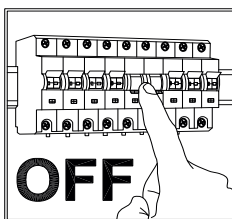
List of chemical substances that can interact with two-component polyurethane resins, causing deterioration and cracking of the structure:

- Acetone
- Methylene chloride
- Toluene, Xylene, Benzene, Diesel in general
- Turpentine
- Hydrochloric acid
- Sulfuric acid
- Nitric acid
- Caustic soda or potash
- Some anti-algae or anti-fungus products on the market
- Non-neutral soaps or detergents

In general, the combination of a strong jet of pressurized water, at temperatures greater than or equal to 40°C, with the addition of one of these substances significantly increases the possibility that the polyurethane will be degraded in just 6 months.

The **CHEMICALS THAT DO NOT ATTACK RESINS ARE** polyurethane, chlorine in various forms and bleach (sodium hypochlorite), neutral soaps, weak acids and bases and polar protic solvents, methanol, ethanol, propanol, butanol.

FIXTURE INSTALLATION INSTRUCTION



- It is the contractor's responsibility to caulk around all the edges between the fixture and the mounting surface, to satisfy wet label requirements.
- It is the contractor's responsibility to install Remote Driver in a suitable electrical enclosure.

DRIVE LINE L110X LINEAR

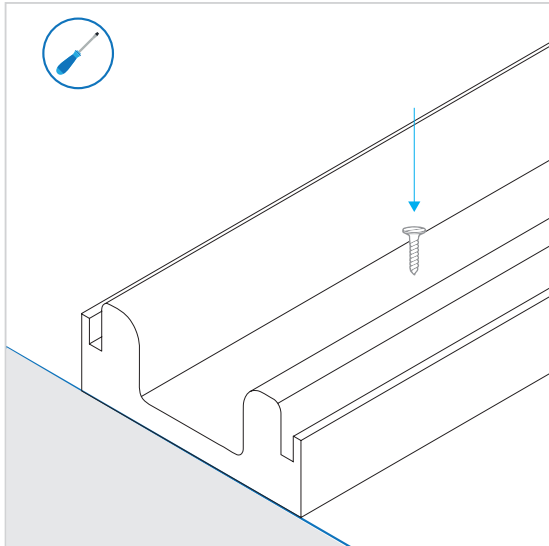
22W per 3.3ft (1M) STATIC WHITE, 24W per 3.3ft (1M) TUNABLE WHITE,
36W per 3.3ft (1M) RGBW, Require Remote 24VDC Driver

installation instructions

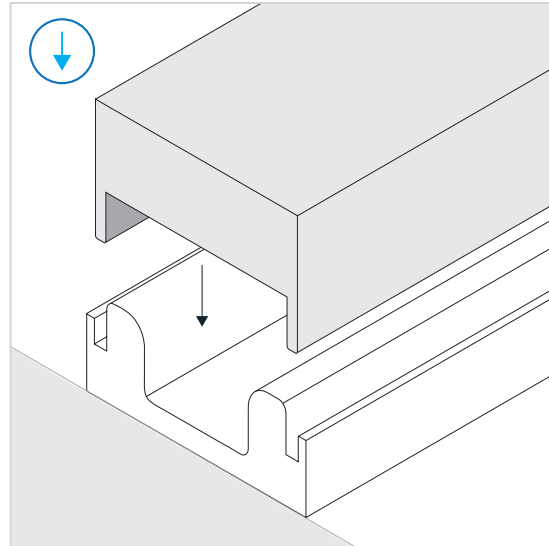
Mouting instruction with STAINLESS STEEL outer case

The L110X IP68 bar is made on custom size length. Maximum length is 2.5 meters.

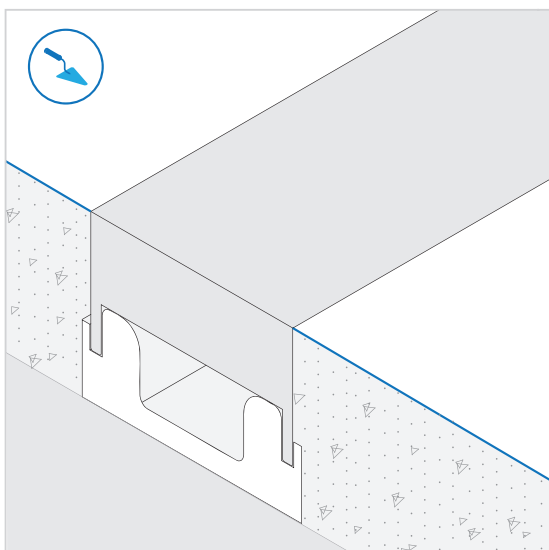
A one meter power cable for electrical connection is included, 24VDC remote driver (not included).



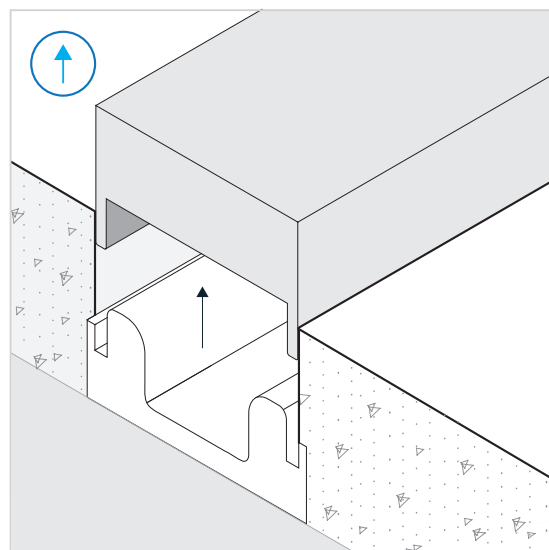
01. Screw the guide a horizontal and levelled surface.
Create the path for the corrugated pipe for the power supply.



02. Insert the filler inside the guide.



03. Complete the paving up to the filler level.

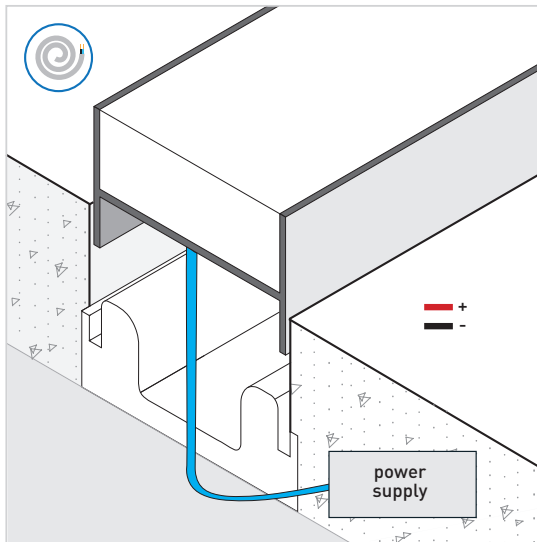


04. Remove the filler.

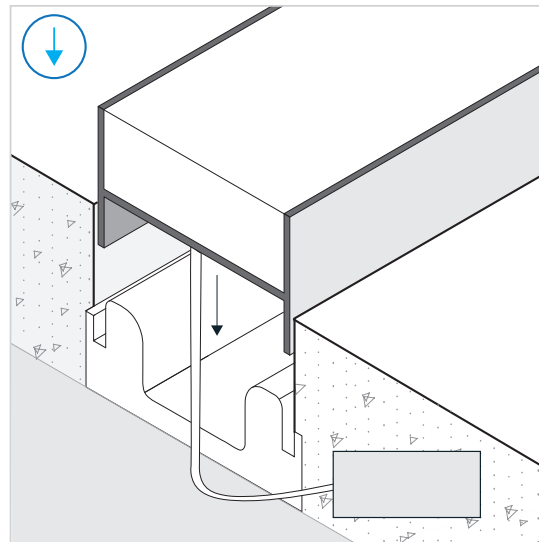
DRIVE LINE L110X LINEAR

22W per 3.3ft (1M) STATIC WHITE, 24W per 3.3ft (1M) TUNABLE WHITE,
36W per 3.3ft (1M) RGBW, Require Remote 24VDC Driver

installation instructions

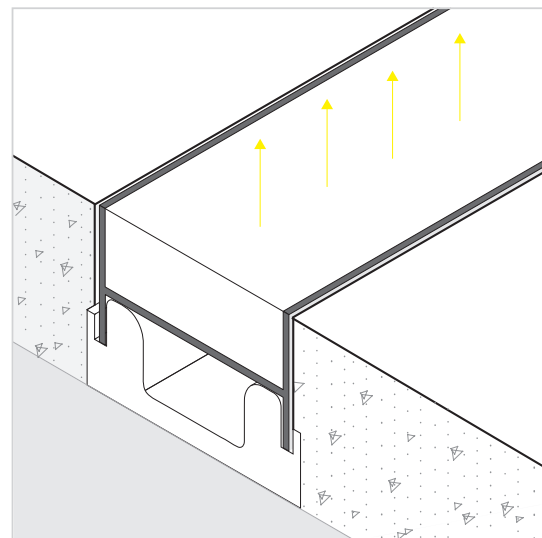
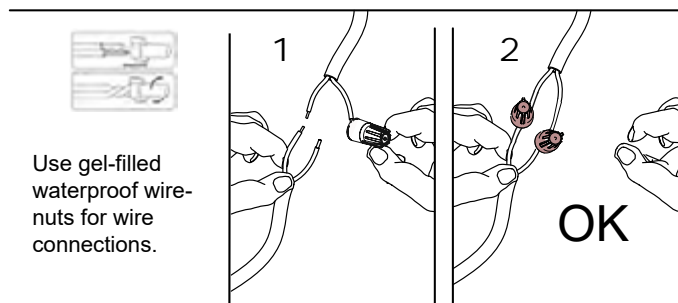


05. Connect the luminaire to the power supply, respecting the polarities.

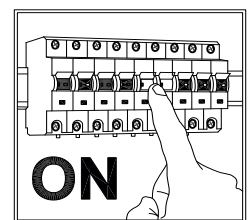


06. Place the luminaire into the guide.

FOR POWER SUPPLY CONNECTOR



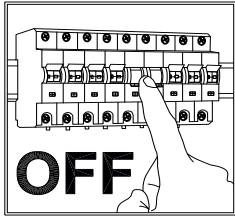
07. Turn on the device.



22W per 3.3ft(or 1M) STATIC WHITE, 24W per 3.3ft(or 1M) TUNABLE WHITE, 36W per 3.3ft(or 1M) RGBW, Require Remote 24VDC Driver

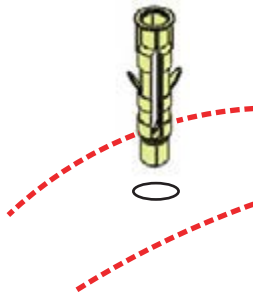
installation instructions

FIXTURE INSTALLATION INSTRUCTION _ SURFACE MOUNT VERSION

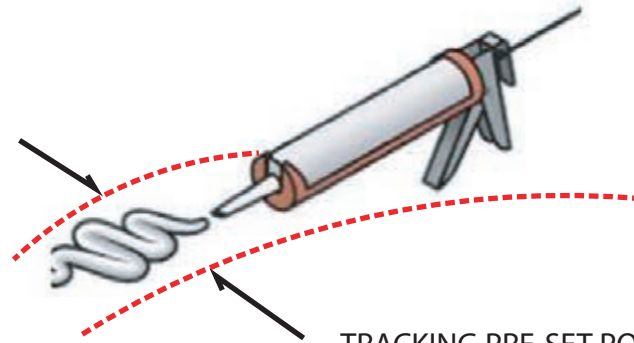


- It is the contractor's responsibility to caulk around all the edges between the fixture and the mounting surface, to satisfy wet label requirements.
- It is the contractor's responsibility to install Remote Driver in a suitable electrical enclosure.

PROVIDED BY OTHERS



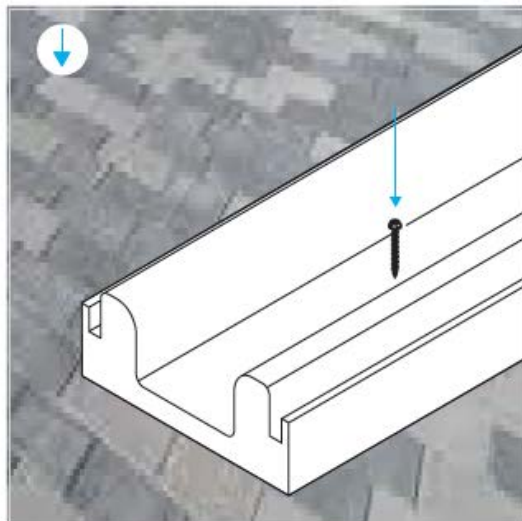
ADHESIVE BY OTHERS



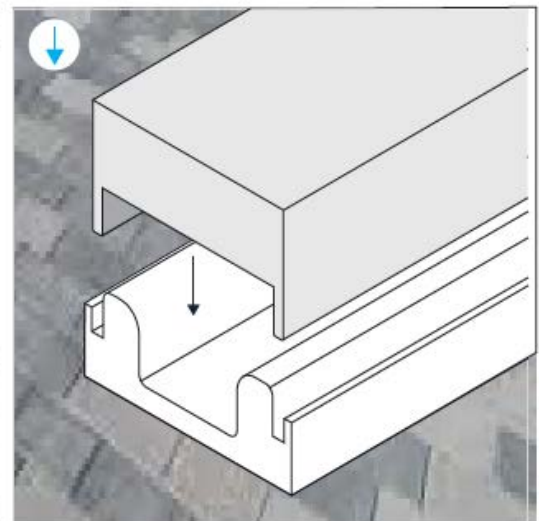
TRACKING PRE-SET POSITION

01. Insert the screw anchors and provide the adhesive at Pre-set tracking location before installed the tracking base.

PROVIDED BY OTHERS



02. Screw the guide a horizontal and leveled surface. Create the path for the corrugated pipe for the power supply.

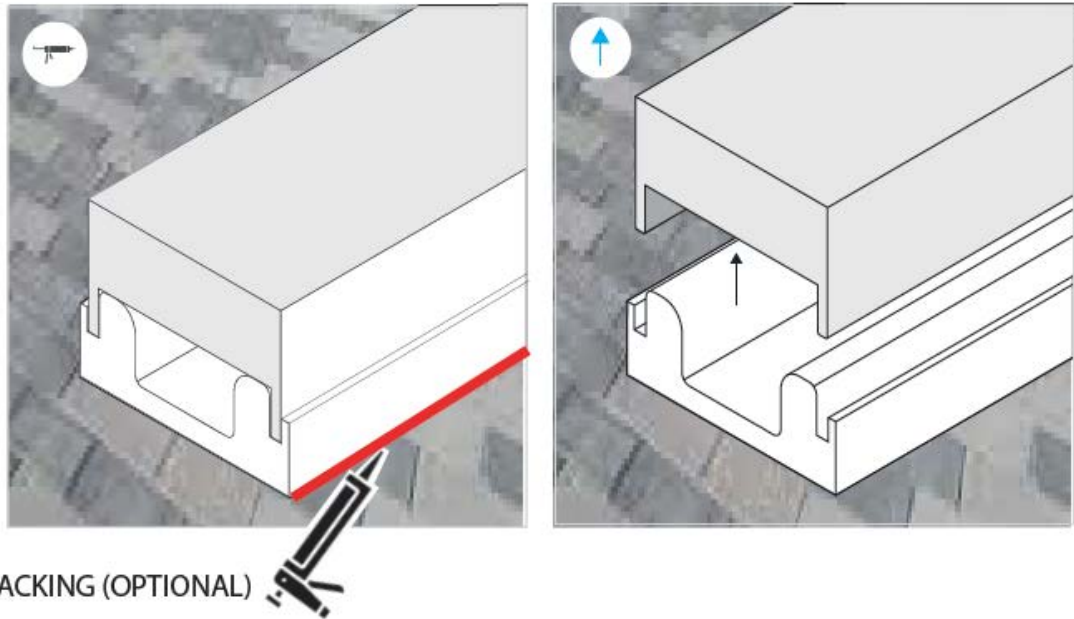


03. Insert the filler inside the guide.

DRIVE LINE L110X LINEAR

22W per 3.3ft(or 1M) STATIC WHITE, 24W per 3.3ft(or 1M) TUNABLE WHITE,
36W per 3.3ft(or 1M) RGBW, Require Remote 24VDC Driver

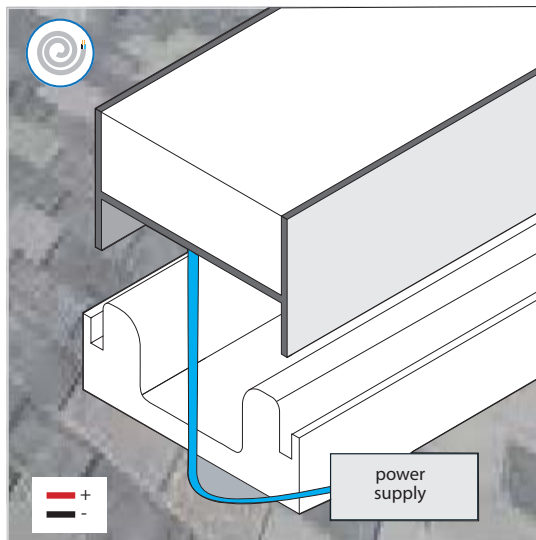
installation instructions



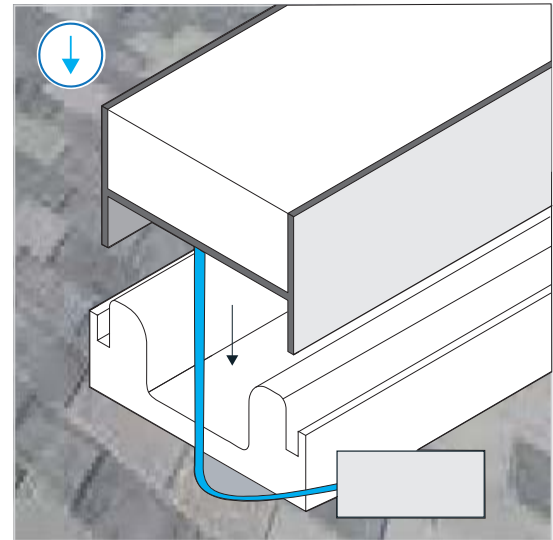
BOTH SIDE OF TRACKING (OPTIONAL)

04. Caulk both bottom sides of tracking to secure the position.

05. Remove the filler.



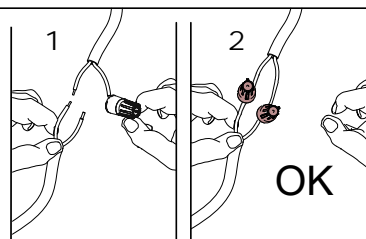
06. Connect the luminaire to the power supply, respecting the polarities.



07. Palce the luminaire into the guide.



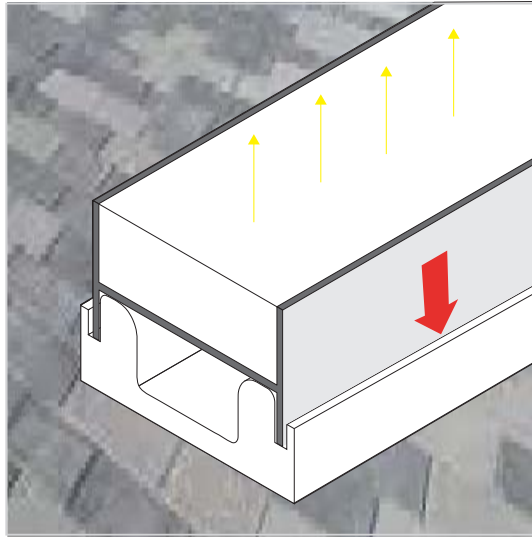
Use gel-filled waterproof wire-nuts for wire connections.



DRIVE LINE L110X LINEAR

22W per 3.3ft(or 1M) STATIC WHITE, 24W per 3.3ft(or 1M) TUNABLE WHITE,
36W per 3.3ft(or 1M) RGBW, Require Remote 24VDC Driver

installation instructions



ADHESIVE

CAULK BOTH SIDE OF THE TRACKING

08. Provided the adhesive to secure the fixture on the tracking base and turn on the device.

