

H2 LINE - Top Light (LL720)

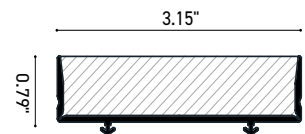
H2 LINE Top Light is an easy to install, vertical bendable LED strip that has 720 LEDs per 3.28 feet (1m) and is IP65/IP68-rated making it ideal for indoor/outdoor areas, swimming pools or fountains. It is made of white PVC outercase and frost resin that has protection against UV rays and the corrosive action of salt. Maximum length 6.56'. **Not cuttable in the field.**



TECHNICAL DATA

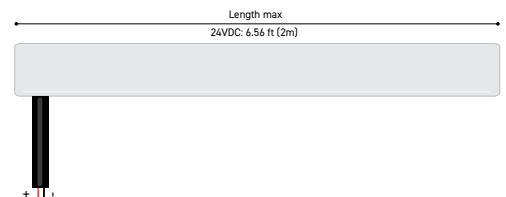
Wattage	30W / 3.28 ft (1 m)	
Power Supply	Remote Fountain/Pool Approved 24VDC Power Supply, not included. See page 2.	
Construction	Diffuser Body: Opal Polyurethane Resin Outcasing Body: White PVC Standard Cable Length: 19.7"	
CCT	2200K, 2600K, 2850K, 3300K, 3850K, 4100K 4750K, 5850K (720 LED / 3.28')	
CRI	>90	
Delivered Lumens	980 lm / 3.28' (2200K) 1050 lm / 3.28' (3300K)	1200 lm / 3.28' (4100K) 1350 lm / 3.28' (5850K)
Efficacy	32.7 lm/W (2200K) 35.0 lm/W (3300K)	40.0 lm/W (4100K) 45.0 lm/W (5850K)
Optics	Diffuse	
Fixture Dimensions	3.15" w x 0.79" h x Various Lengths - Max 6.56'	
Bend Radius	78.74"	
LED Source	SMD 3014 SHINEON	
LED Spacing	720 LED per 3.28 ft (1 m), 0.98" between LEDs	
Lumen Maintenance	L80, B10>50,000 hrs	
Color Consistency	3-Step MacAdam	
Operating Temp	-22°F to 131°F	
IP Rating	IP65, IP68	
Impact Resistance	IK08	

Fixture Dimensions



NOT CUTTABLE IN THE FIELD

NOT RATED FOR WALKOVER
Can be Customized on Request for Walkover



ORDERING INFORMATION

Example: LL720-N.24.68.H2.US. Power Supplies / Accessories ordered separately.

LL720	-		.	24	.		.	H2	.	US
Model No.	CCT		Power	IP Rating						
LL720 - 720 LED / 3.28' (1 m)	V8 - 2200K	W - 3850K	24 - 24VDC	65 - IP65	H2					US
NOTE: Max length 6.6 feet.	V2 - 2600K	W5 - 4100K		68 - IP68						
	V5 - 2850K	N - 4750K								
	V - 3300K	C - 5850K								

Job Name/Date:

Fixture Type Designation:

H2 LINE - Top Light (LL720)

SUGGESTED POWER SUPPLIES

24VDC - TO BE USED WITH FOUNTAIN / SWIMMING POOLS

Part Number	Description	Input/Output	# of Fixtures
FPV-100110024	ELV / TRIAC & 0-10V Dimming (100 to 0%)	120-277VAC to 24VDC, 96W, Class 2, IP66, NEMA 4X	1-2
FPV-100000024	Non-Dim	120-277VAC to 24VDC, 100W, Class 2, IP66, NEMA 4X	1-2
FPV-100100024	0-10V Dimming (2 Channels)	120-277VAC to 24VDC, 100W, Class 2, IP66, NEMA 4X	1-4

24VDC - TO BE USE FOR INDOOR/OUTDOOR USE - NOT Fountain / Swimming Pool

Part Number	Description	Input/Output	# of Fixtures
PPLT00543	0-10V Dimming to 15% (-40°C / -40°F cold weather start)	120-277VAC to 24VDC, 100W, Class 2	1-2

Suggested Lutron Compatible - FOR INDOOR/OUTDOOR USE ONLY

Part Number	Option	Lutron SKU	Dim Range	Description	Input/Output	# of Fixtures
PPLT00273	L3DAE / L3DA3W	L3DA	100%-1%	Hi-Lume™ 1% EcoSystem™ or 1% 3-Wire LED Driver	120-277VAC to 24VDC, 40W, Class 2	1-1
PPLT00530	L3DAE / L3DA3W	L3DA	100%-1%	Hi-Lume™ 1% EcoSystem™ or 1% 3-Wire LED Driver	120-277VAC to 24VDC, 96W, Class 2	1-2

DRIVER IN NEMA ENCLOSURE

Remote 24VDC - ELV / TRIAC / 0-10V



PPLT00715

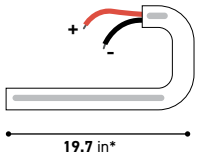
Part Number	Description	Input/Output	# of Fixtures
PPLT00715	ELV / TRIAC / 0-10V Dimming to 0.1%	120-277VAC to 24VDC, 96W, Class 2, WET/DAMP	1-2

For other power supply options consult factory.

Job Name/Date:

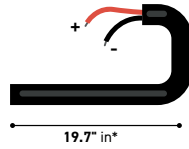
Fixture Type Designation:

ACCESSORIES - Installation



SP-CA-65-2-1

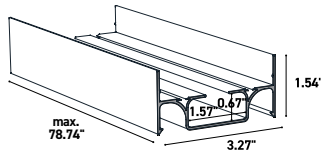
Outdoor PVC power cable - IP65
White (2x0.50mm2) External Ø0.17"



SP-CA-68-2-1

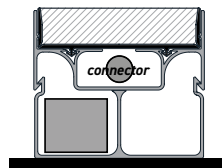
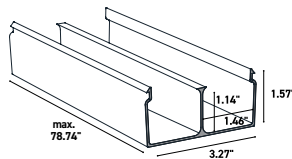
Water immersion / Outdoor power cable - IP68
Black (2x0.50mm2+ n. 2 Kevlar wires) External Ø0.21"

*Standard cable length 19.7 in.
Longer cable lengths can be ordered, considering extra cable not included in the price.



PRO1-AL-80X20-AL

Rigid Aluminum Outercase for Wiring and Connectors
H2 LINE model 3.15" x 0.79" - L max 6.56 ft (2m)



PRO2-AL-80X20-AL

Rigid Aluminum Outercase for Power Supply
H2 LINE model 3.15" x 0.79" - L max 6.56 ft (2m)

ACCESSORIES - Connection



THB.381.A2A.R

Micro plug and socket connector
2PIN. male+female. IP68.
Ø0.55" x 3.54".
Compatible for all models except RGB,
RGBW and Tunable white.



THB.390.C1A

Connector type "T"
3PIN. IP68.
Ø1.26" x 3.62" x 2.87"
Compatible for all models except
RGB and RGBW.



THB.392.A4A

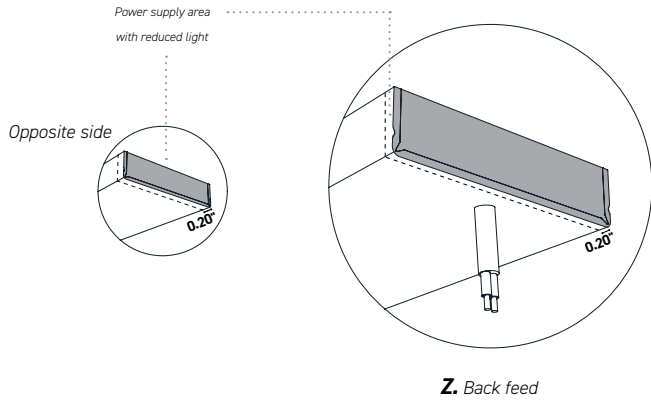
Connector type "H"
4PIN. IP68.
Ø1.10" x 2.13" x 3.15"
Compatible for all models
except RGBW.

Job Name/Date:

Fixture Type Designation:

H2 LINE - Top Light (LL720)

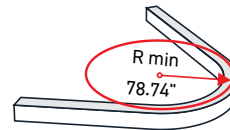
POWER CABLE EXIT



FLEXIBILITY



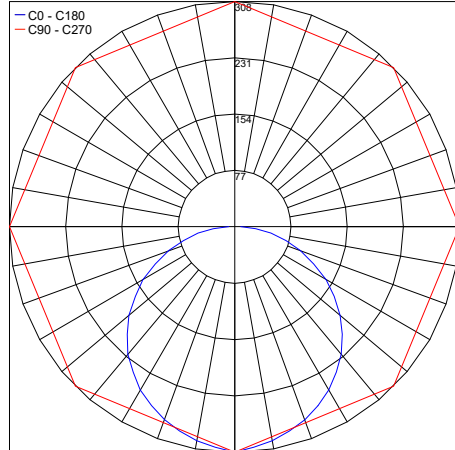
BEND RADIUS



PHOTOMETRIC DATA

2750K

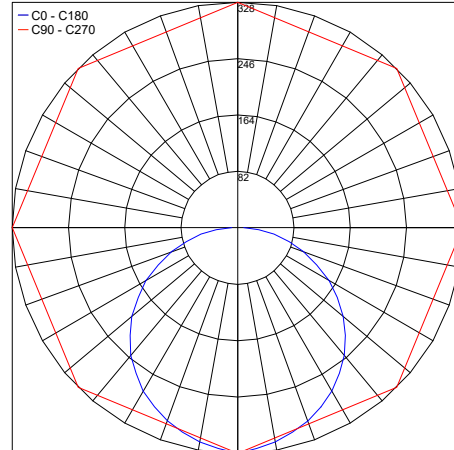
Maximum Candela = 307.9



PHOTOMETRIC FILENAME : H2 LINE 2750K - LL720-V.24.6568.H2.IES

3100K

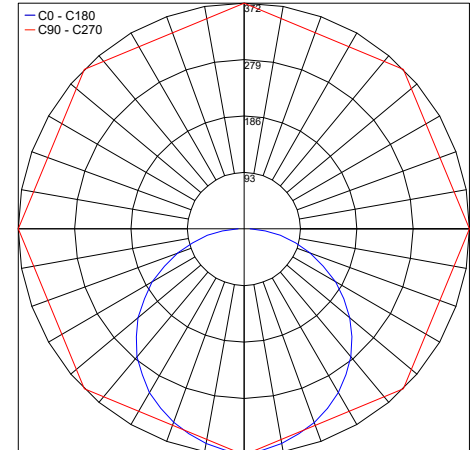
Maximum Candela = 328.4



PHOTOMETRIC FILENAME : H2 LINE 3100K - LL720-W.24.6568.H2.IES

4500K

Maximum Candela = 372.4



PHOTOMETRIC FILENAME : H2 LINE 4500K - LL720-N.24.6568.H2.IES

Job Name/Date:

Fixture Type Designation: