

OLY is a round, recessed, stainless steel LED uplight suitable for outdoor installation in the ground or floor for illuminating facades and architectural spaces. It is available in 3 sizes, with 4 color temperatures, 3 optic options, and 3 Hard Coat Treatment finishes. OLY N-60 is the Ø2.4" 4W version.



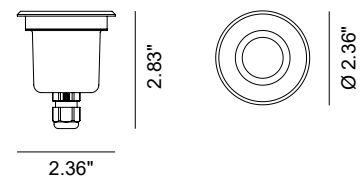
ASYMMETRIC LENS

TECHNICAL DATA

Wattage	4W (N-60)
Power Supply	Remote 350mA, not included. See page 2
Construction	Body: AISI 316L Stainless Steel Lens: 0.31" Extra-clear, Tempered Glass
CCT	2200K, 2700K, 3000K, 4000K
CRI	>80
BUG Rating	B1-U0-G0 (3000K - All Optics)
Delivered Lumens	445 lm (3000K)
Efficacy	111.3 lm/W (3000K)
Optics	10°, 45°, 60°, 10°x40° Asym. Wide, Asym. Narrow
Lumen Maintenance	100,000 hrs L80, B10 (Ta 25°C)
Hard Coat Finishes	Inox Natural, Inox Graphite, Inox Bronze
Fixture Dimensions	Ø2.36" x 2.83" (N-60)
IP Rating	IP66, IP67
Impact Resistance	IK09
Warranty	10 Years Against Corrosion 5 Years on Electrical Components

Hard Coating Treatment is the surface treatment of all the products by Stral Lighting. It is not a skin of color, but instead is a process that allows for the color to be absorbed all the way through. If a product is scratched, the color beneath is the same as the color on the surface. It guarantees a high superficial resistance to corrosion and atmospheric agents, as well as making the products anti-fingerprint and anti-stain. Available in three finishes Inox Natural, Inox Graphite and Inox Bronze.

Fixture Dimensions



ORDERING INFORMATION

Example: SPT1016030B.US. Power Supplies / Accessories sold separately.

SPT10160				.US
Model No.	CCT	Optics	Finishes	
SPT10160	1 - 2200K 2 - 2700K 3 - 3000K 4 - 4000K	0 - 10° 3 - 10°x40° 4 - 45° 5 - 60° 8 - Asym. Wide 9 - Asym. Narrow	N - Inox Natural G - Inox Graphite B - Inox Bronze	.US

Job Name/Date:

Fixture Type Designation:

SUGGESTED POWER SUPPLIES

350mA

Part Number	Description	Input/Output	# of Fixtures
PPLT00211	Non-Dim	120VAC to 350mA, 10W, Class 2	2-2
PPLT00468	Phase Dim (120V only)	120VAC to 350mA, 14W, Class 2	2-3
PPLT00263	Leading / Trailing Edge Phase Dimming to 10% (120V only)	120-277VAC to 350mA, 32W, Class 2	3-3
PPLT00558-P	0-10V Dimming to 0.1%	120-277VAC to 350mA, 75W, Class 2	1-4

Suggested Lutron Compatible 350mA

Part Number	Option	Lutron SKU	Dim Range	Description	Input/Output	# of Fixtures
PPLT00516	L3DAE / L3DA3W	L3DA	100%-1%	Hi-Lume™ 1% EcoSystem™ or 1% 3-Wire LED Driver	120-277VAC to 350mA, 13W, Class 2	2-3

For other power supply options consult factory.

FINISHES



Inox Natural

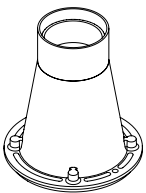


Inox Graphite



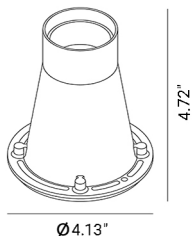
Inox Bronze

ACCESSORIES



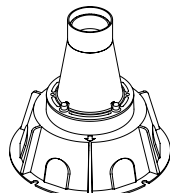
PT51800

Casing F50 H120
4.13" w x 4.72" h



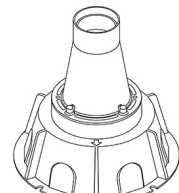
Ø4.13"

4.72"



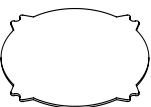
PT51801

Casing F50 H195
7.87" w x 7.68" h



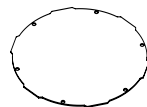
Ø7.87"

7.68"



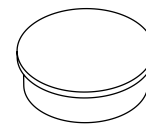
PT40004

Bottom Cap H120
4.13" w x 4.13" d



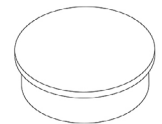
PT40003

Bottom Cap H195
6.30" w x 6.30" d



PT40006

Mortar Cap F50
2.17" w x 0.79" d



Ø2.17"

0.79"

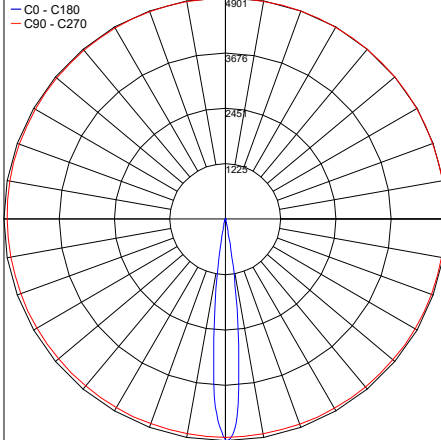
Job Name/Date:

Fixture Type Designation:

PHOTOMETRIC DATA

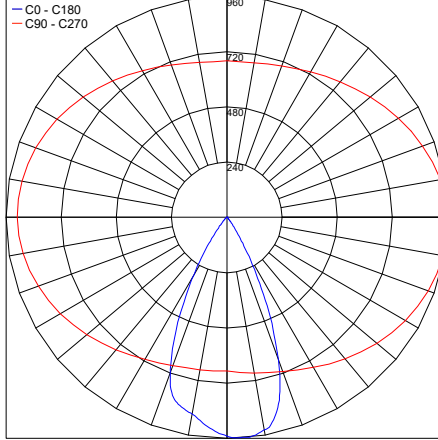
NOTE: All photometry is 3000K

Maximum Candela = 4901.3



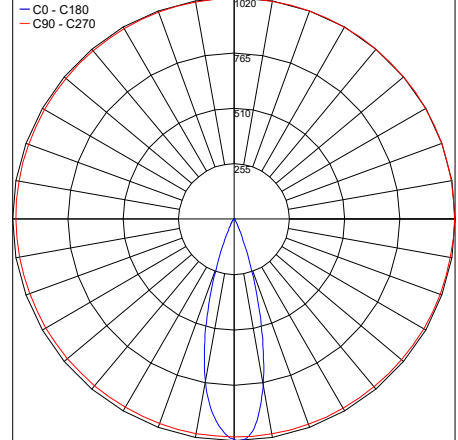
PHOTOMETRIC FILENAME : OLY N-60 30K 10° - PT1016030N.IES

Maximum Candela = 960.0



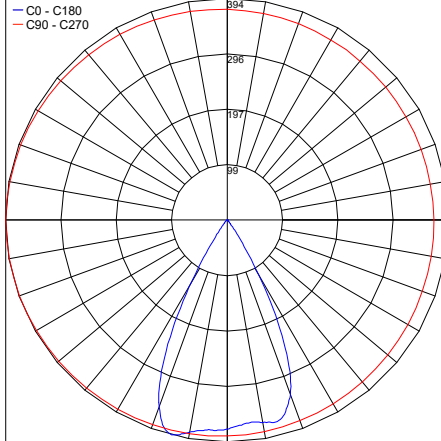
PHOTOMETRIC FILENAME : OLY N-60 4W 30K 10°x40° - PT1016033X.IES

Maximum Candela = 1020.1



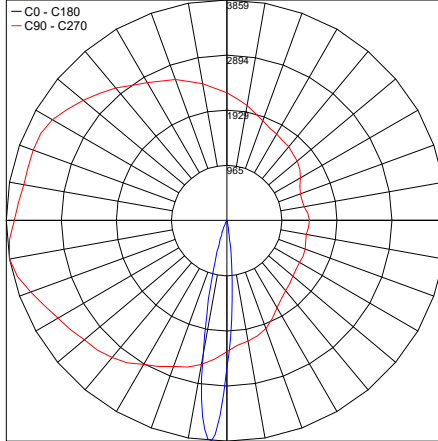
PHOTOMETRIC FILENAME : OLY N-60 30K 45° - PT1016034N.IES

Maximum Candela = 394.2



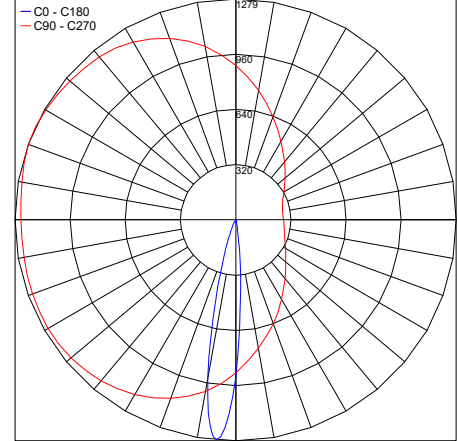
PHOTOMETRIC FILENAME : OLY N-60 4W 30K 60° - PT1016035X.IES

Maximum Candela = 3858.9



PHOTOMETRIC FILENAME : OLY N-60 30K ASYM NARROW - PT1016039N.IES

Maximum Candela = 1279.4



PHOTOMETRIC FILENAME : OLY N-60 30K ASYM WIDE - PT1016038N.IES

Job Name/Date:

Fixture Type Designation: